

Fifth Edition

**AEH**

# All Electronics Hardware

ISO 9001:2000



[www.aehonline.com](http://www.aehonline.com)

Phone: 1 800 778 7234

Fax: 1 800 832 9234

- Circuit Board Supports ■ Cable Ties & Accessories ■ Wire Routing Devices ■ Cable Clamps & Clips ■ Bumpers & Feet
- Rivets ■ Spacers & Standoffs ■ Cord & Edge Protectors ■ LED Spacers ■ Component Insulators & End Caps ■ Tubing
- Plastic Screws & Nuts ■ Card Guides ■ Kits ■ Tools & Testers ■ Terminals ■ Wire Connectors ■ Misc. Components



Get quote >>

Angic Global Solutions

1-888-872-0690

<https://www.AngicGlobal.com> [Sales@AngicGlobal.com](mailto:Sales@AngicGlobal.com)

General Information .....	3-4
Circuit Board Supports (01) .....	5-18
Cable Ties & Accessories (02) .....	19-25
Wire Routing Devices (03) .....	26-50
Cable Clamps & Clips (04) .....	51-58
Bumpers & Feet (05) .....	59-60
Rivets (06) .....	61-65
Spacers & Standoffs (07) .....	66-72
Cord & Edge Protectors (08) .....	73-75
LED Spacers (09) .....	76-80
Component Insulators & End Caps (10) .....	81-94
Tubing (11) .....	97
Plastic Screws & Nuts (12) .....	96-98
Card Guides (14) .....	99-100
Kits (15) .....	101-102
Tools & Testers (17) .....	103-107
Terminals (18) .....	108-110
Wire Connectors (19) .....	111-115
Miscellaneous Components (20) .....	116
Material Reference (MR) Specifications List .....	117
Numerical Index .....	118-119



### Corporate Headquarters

2642 Corporate Pkwy  
Algonquin IL 60102

**Tel:** 800-778-723

**Fax:** 800-832-923

**Web:** [www.aehonline.com](http://www.aehonline.com)

**email:** [contactaeh@aehonline.com](mailto:contactaeh@aehonline.com)

---

### Eastern Regional Office

1 Wood Stone Rise  
Pittsford, NY 14523

**Tel:** 585-383-1669

**Fax:** 585-383-8196

**email:** [katetruax@aol.com](mailto:katetruax@aol.com)

Katherine Truax - Manager

---

### Midwest Regional Marketing Office

285 Forest Grove Dr  
Suite 203  
Pewaukee, WI 53072

**Tel:** 262-695-8473

**Fax:** 262-695-8789

**email:** [tedlecher@aehonline.com](mailto:tedlecher@aehonline.com)

Ted Lecher - Manager



## ALL ELECTRONICS HARDWARE

Committed to customer satisfaction through excellence in design innovation, manufacturing and distribution. Count on us to continue the tradition of doing **"WHATEVER IT TAKES"** to meet the total needs of our customers.

AEH provides a wide variety and styles of Printed Circuit Board supports and Fastening Devices. To complement the PCB hardware we also offer a large selection of clips and clamps to efficiently organize and manage cables, single wires, and wire bundles.

In addition to our core line of plastic hardware and electronic fasteners, AEH now offers an extensive line of wire termination products such as insulated terminals, screw-on wire connectors and other specialty wire termination products. We also offer a basic selection of tools and testers to ensure safe and efficient installations.

For new parts, or modification of existing parts to suite your specific application, call our office.

## QUALITY

AEH is ISO 9001:2000 Certified

## ROHS

AEH requires its material suppliers to certify compliance with the Restriction of Hazardous Substances in electrical and electronic products. RoHS compliance is noted in all the "material boxes" throughout the catalog. If the notation is missing it means that the information was not available at the time of publication.

## NYLON

The material of choice for AEH molded products is Nylon. Its many compositions have most of the properties that are required in the electrical/electronic industry such as:

- Toughness at low and high temperature
- Resistance to impact, abrasion, organic solvents and gasoline
- Retention of shape and stiffness at high temperature
- Flammability Rating

## MOISTURE

Nylon is affected by moisture. In the "dry as molded" state, products may be brittle and rigid. To minimize this problem, the proper amount of moisture is introduced in all nylon products. All AEH parts are shipped in sealed plastic bags to retain the moisture.

## SHELF LIFE

AEH recommends that all nylon products be stored in the original, unopened bag, at 73 degrees Farenheit and 50% relative humidity. If these conditions are met, the shelf life will be one year from the date of shipment.

The ADHESIVES used by AEH have a shelf life of 12 months if properly stored. Adhesive parts should be stored in their original bags at room temperature(73 degrees F ) and 50% relative humidity.



**PART NUMBERING SYSTEM**

- AEH's part numbering system is designed to simplify the ordering process for everyone
- The following is a sample of how the system works:

	CATEGORY (1st set of digits)	SERIES (2nd set of digits)	STYLE (3rd set of digits)	SIZE (4th set of digits)	(COLOR-optional)
Item#	03	00	1	10	
is a	wire routing device	from the "00" Series	style 1	Size 10	(See page 20)

- Note: Pack Size — Not specified in item number at any time. When more than one pack size is available for a given item - specify pack size when ordering.

**SAMPLES**

- Free samples of all products in this catalog are available, call 1-800-RSVP-AEH (800-778-7234) or fax 1-800-U-FAX-AEH (800-832-9234)

**GENERAL TOLERANCE**

<b>TOLERANCES</b> <i>Unless Otherwise Noted</i>		
	Extruded	Molded
.xx	± .020 (0.51)	± .01 (0.25)
.xxx	± .015 (0.4)	
Fract	± 1/32 (0.8)	± 1/64 (0.4)

**SPECIFICATIONS**

- All Electronics Hardware reserves the right to change product and material specifications of its catalog items without prior notification.

**TERMS OF SALE**

- Net 30 days
- Prices subject to change without notice
- All shipments F.O.B. our factory, no freight allowed
- OEM Minimum Order = \$250.00
- Distributor Minimum Order = \$100.00
- Return merchandise accepted only with prior approval from the factory. Unauthorized returns will not be accepted
- CLAIMS: All Electronics Hardware is liable only for the cost of defective parts. Customers desiring to return merchandise must do so within 60 days. Before any merchandise is returned, you must call for a Return Authorization number, shipping instructions and terms of credit to be determined. Claims for shortages should be made within 10 days after receipt of shipment. Carriers are responsible for goods lost or damaged in transit.



## 13 SERIES

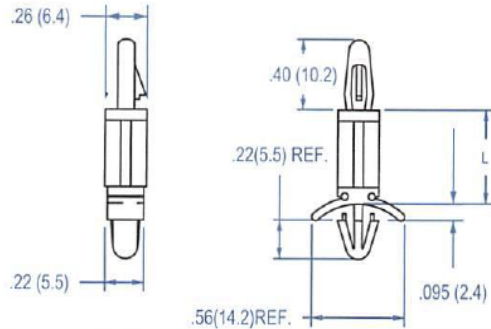
ITEM NO.	L	
	Inches ± .015	(mm) (± 0.4)
01-13-30	.187	(4.8)
01-13-40	.250	(6.4)
01-13-50	.312	(7.9)
01-13-60	.375	(9.5)
01-13-70	.437	(11.1)
01-13-80	.500	(12.7)
01-13-100	.625	(15.9)
01-13-120	.750	(19.1)
01-13-140	.875	(22.2)
01-13-160	1.00	(25.4)
01-13-180	1.12	(28.6)
01-13-200	1.25	(31.8)
01-13-220	1.38	(34.9)

TO LOCK IN A .156 ±.003 (4± 0.08) DIA. HOLE  
.062 (1.57) THICK BOARD

### 01-13

TO LOCK IN A .187 ±.003 (4.75± 0.08) DIA. HOLE  
.062 (1.57) THICK MATERIAL

PACKAGING: 500 PER BAG



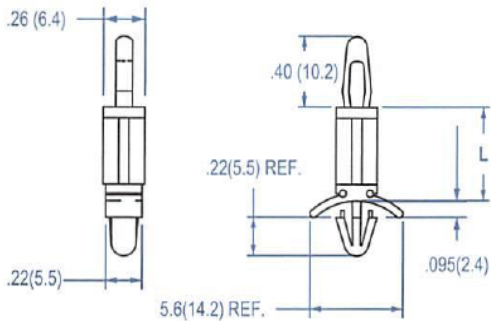
ITEM NO.	L	
	Inches ± .015	(mm) (± 0.4)
01-13A-30	.187	(4.8)
01-13A-40	.250	(6.4)
01-13A-50	.312	(7.9)
01-13A-60	.375	(9.5)
01-13A-70	.437	(11.1)
01-13A-80	.500	(12.7)
01-13A-100	.625	(15.9)
01-13A-120	.750	(19.1)
01-13A-140	.875	(22.2)
01-13A-160	1.00	(25.4)
01-13A-180	1.12	(28.6)
01-13A-200	1.25	(31.8)
01-13A-220	1.38	(34.9)

TO LOCK IN A .156 ±.003 (4± 0.08) DIA. HOLE  
.062 (1.57) THICK BOARD

### 01-13A

TO LOCK IN A .187 ±.003 (4.75± 0.08) DIA. HOLE  
.062 (1.57) THICK MATERIAL

PACKAGING: 500 PER BAG



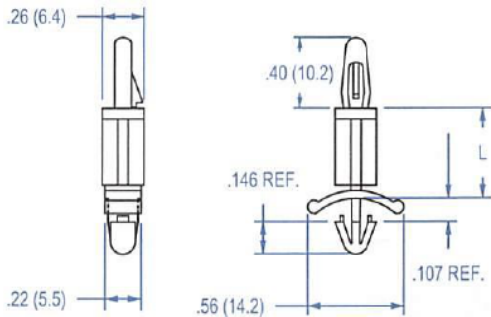
ITEM NO.	L	
	Inches ± .015	(mm) (± 0.4)
01-13-2-30	.187	(4.8)
01-13-2-40	.250	(6.4)
01-13-2-50	.312	(7.9)
01-13-2-60	.375	(9.5)
01-13-2-70	.437	(11.1)
01-13-2-80	.500	(12.7)
01-13-2-100	.625	(15.9)
01-13-2-120	.750	(19.1)
01-13-2-140	.875	(22.2)
01-13-2-160	1.00	(25.4)
01-13-2-180	1.12	(28.6)
01-13-2-200	1.25	(31.8)
01-13-2-220	1.38	(34.9)

TO LOCK IN A .156 ±.003 (4± 0.08) DIA. HOLE  
.062 (1.57) THICK BOARD

### 01-13-2

TO LOCK IN A .187 ±.003 (4.75± 0.08) DIA. HOLE  
.125(3.17) THICK MATERIAL

PACKAGING: 500 PER BAG



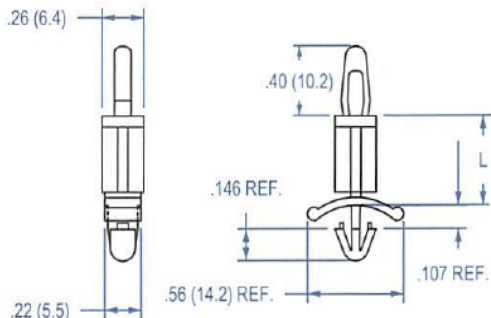
ITEM NO.	L	
	Inches ± .015	(mm) (± 0.4)
01-13A-2-30	.187	(4.8)
01-13A-2-40	.250	(6.4)
01-13A-2-50	.312	(7.9)
01-13A-2-60	.375	(9.5)
01-13A-2-70	.437	(11.1)
01-13A-2-80	.500	(12.7)
01-13A-2-100	.625	(15.9)
01-13A-2-120	.750	(19.1)
01-13A-2-140	.875	(22.2)
01-13A-2-160	1.00	(25.4)
01-13A-2-180	1.12	(28.6)
01-13A-2-200	1.25	(31.8)
01-13A-2-220	1.38	(34.9)

TO SNAP IN A .156 ±.003(4± 0.08) DIA. HOLE  
.062 (1.57) THICK BOARD

### 01-13A-2

TO LOCK IN A .187 ±.003 (4.75± 0.08) DIA. HOLE  
.125(3.17) THICK MATERIAL

PACKAGING: 500 PER BAG

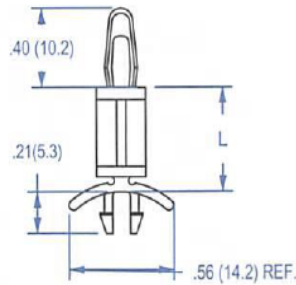


MATERIAL	NYLON 66
UL RATING	94V-2
UL FILE NO.	R70062
COLOR	NATURAL
ASTM	D 4066, PA111
RoHS COMPLIANCE	YES
TEMPERATURE RANGE (REF.)	-40 to 185°F (-40 to 85°C)
MR NUMBER	01

NYLON 66 RATED UL94V-0 AVAILABLE ON REQUEST.  
TO ORDER ADD SUFFIX "X" TO PART NUMBER



11 SERIES  
34 SERIES



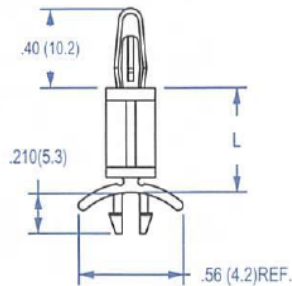
TO SNAP IN A .156±.003 (4.0±0.08) DIA. HOLE.  
1/16 (1.6) BOARD THICKNESS.

01-11

TO LOCK IN A .187±.003 (4.8±0.08) DIA. HOLE.  
1/16 (1.6) BOARD THICKNESS.

PACKAGING: 500 PER BAG

ITEM NO.	L ± .015(0.38)	
	In.	mm
01-11-30	.187	4.8
01-11-40	.250	6.35
01-11-50	.312	7.9
01-11-60	.375	9.6
01-11-70	.437	11.1
01-11-80	.500	12.7
01-11-90	.563	14.3
01-11-100	.625	15.9
01-11-120	.750	19.1
01-11-130	.812	20.6
01-11-140	.875	22.3
01-11-160	1.00	25.4



TO LOCK IN A .156±.003 (4.0±0.08) DIA. HOLE.  
1/16 (1.6) BOARD THICKNESS.

01-34

TO LOCK IN A .187±.003 (4.8±0.08) DIA. HOLE.  
1/16 (1.6) BOARD THICKNESS.

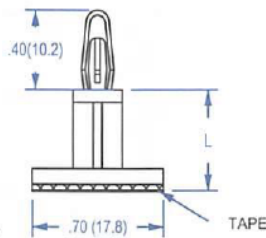
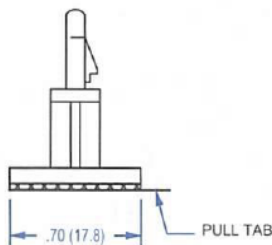
PACKAGING: 500 PER BAG

ITEM NO.	L ± .015(0.38)	
	In.	mm
01-34-30	.187	4.8
01-34-40	.250	6.35
01-34-50	.312	7.9
01-34-60	.375	9.6
01-34-70	.437	11.1
01-34-80	.500	12.7
01-34-90	.563	14.3
01-34-100	.625	15.9
01-34-120	.750	19.1
01-34-130	.812	20.6
01-34-140	.875	22.3
01-34-160	1.00	25.4

MATERIAL: NYLON 66  
 UL RATING: 94V-2  
 UL FILE NO.: R70062  
 COLOR: NATURAL  
 ASTM: D 4066, PA111  
 RoHS COMPLIANCE: YES  
 TEMPERATURE RANGE (REF.): -40 to 185°F (-40 to 85°C)  
 MR NUMBER: 01

NYLON 66 RATED UL94V-0 AVAILABLE UPON REQUEST  
 TO ORDER ADD SUFFIX "X" TO PART NUMBER

15 SERIES



01-15

TO LOCK IN A .156±.003 (4.0±0.08) DIA. HOLE.  
1/16 (1.6) BOARD THICKNESS.

PACKAGING: 500 PER BAG

ITEM NO.	L ± .015(0.38)	
	In.	mm
01-15-30	.187	4.8
01-15-40	.250	6.35
01-15-60	.375	9.6
01-15-80	.500	12.7
01-15-100	.625	15.9
01-15-120	.750	19.1
01-15-140	.875	22.3
01-15-160	1.00	25.4

MATERIAL: NYLON 66  
 UL RATING: 94V-2  
 UL FILE NO.: E41938  
 COLOR: NATURAL  
 ASTM: D 4066, PA111  
 RoHS COMPLIANCE: YES  
 TEMP. RANGE (REF.): -40 to 185°F (-40 to 85°C)  
 MR NUMBER: 12

NYLON 66 RATED UL94V-0 AVAILABLE ON REQUEST  
 TO ORDER ADD SUFFIX "X" TO PART NUMBER

DOUBLE ADHESIVE TAPE

ADHESIVE: RUBBER  
 CARRIER: POLYETHYLENE  
 THICKNESS: 1/32  
 COLOR: WHITE  
 UL FILE NO.: MH15436  
 RoHS COMPLIANCE: YES  
 TEMPERATURE: 32 to 167°F (0 to 75 °C)  
 MR NUMBER: 10



Get quote

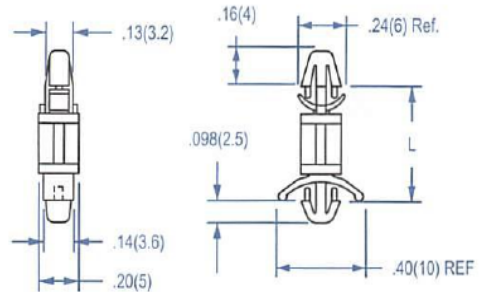
## 01 SERIES 05 SERIES

ITEM NO	L ±.015 (0.38)	
	In.	mm
01-01-30	.350	8.9
01-01-40	.413	10.5
01-01-50	.476	12.1
01-01-60	.539	13.7
01-01-70	.602	15.3
01-01-80	.661	16.8
01-01-100	.787	20
01-01-120	1.18	30

### 01-01

.138±.003 (3.5±0.08) DIA. HOLE  
.031 TO .063 (0.8 TO 1.6) THICKNESS RANGE,  
BOTH ENDS

PACKAGING: 500 PER BAG

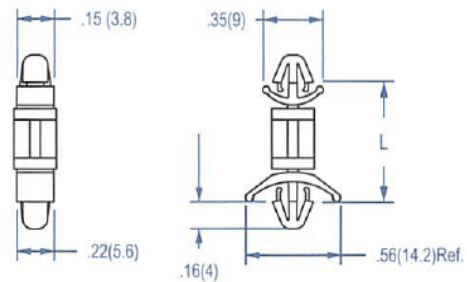


UL 94V-2	L ±.015 (0.38)	
	Inches	(mm)
01-05-30	.350	8.9
01-05-40	.402	10.2
01-05-60	.528	13.4
01-05-70	.590	15.0
01-05-80	.650	16.5
01-05-100	.775	19.7
01-05-120	.902	22.9
01-05-140	1.024	26

### 01-05

.156±.003 (4±0.08) DIA. HOLE  
.020 TO .079 (0.5 TO 2) THICKNESS RANGE,  
BOTH ENDS

PACKAGING: 500 PER BAG



MATERIAL	NYLON 66
UL RATING	94V-2
UL FILE NO.	E53664
COLOR	NATURAL
ASTM	D 4066
RoHS COMPLIANCE	YES
TEMPERATURE RANGE (REF.)	-40 to 185°F (-40 to 85°C)
MR NUMBER	05

NYLON 66 RATED UL94V-0 AVAILABLE UPON REQUEST  
TO ORDER ADD SUFFIX "X" TO PART NUMBER.

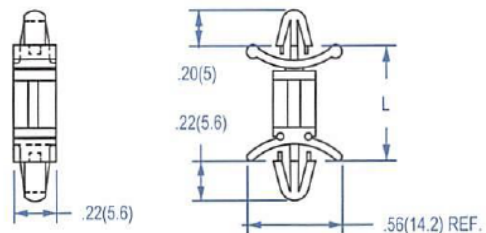
PART NO	L ±.015 (0.38)	
	In.	mm
01-00-30	.343	8.7
01-00-40	.405	10.3
01-00-50	.468	11.9
01-00-60	.530	13.5
01-00-70	.593	15.1
01-00-80	.655	16.6
01-00-90	.718	18.2
01-00-100	.780	19.8
01-00-110	.843	21.4
01-00-120	.905	23
01-00-130	.968	24.6
01-00-140	1.030	26.2
01-00-160	1.154	29.3

.156±.003 (4±0.08) DIA HOLE  
.04 TO .078 (1 TO 1.57) THICKNESS RANGE.

### 01-00

.187±.003 (4.75) DIA. HOLE  
.04 TO .078 (1 TO 1.57) THICKNESS RANGE

PACKAGING: 500 PER BAG

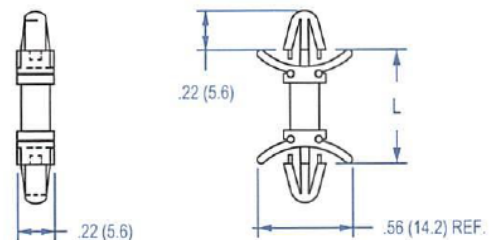


PART NO	L ±.015 (0.38)	
	In.	mm
01-19-30	.375	9.6
01-19-40	.437	11.1
01-19-50	.500	12.7
01-19-60	.562	14.3
01-19-70	.625	15.9
01-19-80	.687	17.5
01-19-90	.750	19
01-19-100	.812	20.6
01-19-110	.875	22.2
01-19-120	.937	23.8
01-19-130	1.00	25.4
01-19-140	1.062	27
01-19-160	1.186	30.1

### 01-19

.187±.003(4.75) DIA. HOLE  
.04 TO .078 (1 TO 1.57) THICKNESS RANGE,  
BOTH ENDS

PACKAGING: 500 PER BAG



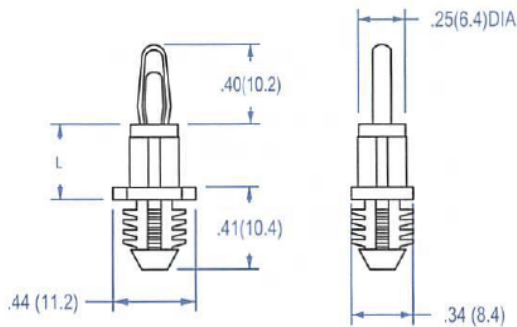
MATERIAL	NYLON 66
UL RATING	94V-2
UL FILE NO.	R70062
COLOR	NATURAL
ASTM	D 4066, PA0113
RoHS COMPLIANCE	YES
TEMPERATURE RANGE (REF.)	-40 to 185°F (-40 to 85°C)
MR NUMBER	01

NYLON 66 RATED UL94V-0 AVAILABLE UPON REQUEST  
TO ORDER ADD SUFFIX "X" TO PART NUMBER.

## 00 SERIES 19 SERIES



**35 SERIES**



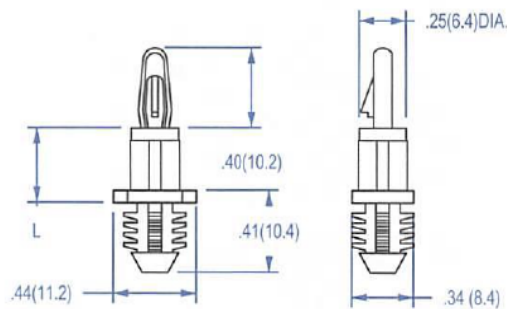
TO SNAP FIT IN A .156±.003 (4±0.08) DIA. HOLE, 1/16 (1.57) THICK BOARD

**01-35**

TO PRESS FIT IN A .312±.003 DIA. HOLE, .25 (6.35) MIN. PANEL THICKNESS

**PACKAGING: 500 PER BAG**

ITEM NO.	L	
	In +/- .015	mm. 0.4
01-35-20	.125	3.2
01-35-30	.187	4.8
01-35-40	.250	6.4
01-35-50	.312	7.9
01-35-60	.375	9.5
01-35-70	.437	11.1
01-35-80	.500	12.7
01-35-100	.625	15.9
01-35-120	.750	19.1
01-35-140	.875	22.2
01-35-160	1.00	25.4



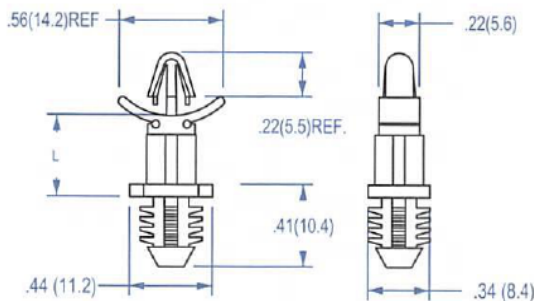
TO SNAP LOCK IN A .156±.003 (4±0.08) DIA. HOLE, 1/16 (1.57) THICK BOARD

**01-35-1**

TO PRESS FIT IN A .312±.003 DIA. HOLE, .25 (6.35) MIN. PANEL THICKNESS

**PACKAGING: 500 PER BAG**

ITEM NO.	L	
	In +/- .015	mm. 0.4
01-35-1-20	.125	3.2
01-35-1-30	.187	4.8
01-35-1-40	.250	6.4
01-35-1-50	.312	7.9
01-35-1-60	.375	9.5
01-35-1-70	.437	11.1
01-35-1-80	.500	12.7
01-35-1-100	.625	15.9
01-35-1-120	.750	19.1
01-35-1-140	.875	22.2
01-35-1-160	1.00	25.4



TO SNAP LOCK IN A .187±.003 (4±0.08) DIA. HOLE, 1/16 (1.57) THICK BOARD

**01-35-2**

TO PRESS FIT IN A .312±.003 DIA. HOLE, .25 (6.35) MIN. PANEL THICKNESS

**PACKAGING: 500 PER BAG**

ITEM NO.	L	
	In ±.015	mm 0.4
01-35-2-20	.125	3.2
01-35-2-30	.187	4.8
01-35-2-40	.250	6.4
01-35-2-50	.312	7.9
01-35-2-60	.375	9.5
01-35-2-70	.437	11.1
01-35-2-80	.500	12.7
01-35-2-100	.625	15.9
01-35-2-120	.750	19.1
01-35-2-140	.875	22.2
01-35-2-160	1.00	25.4

MATERIAL: NYLON 66  
 UL RATING: 94V-2  
 UL FILE NO.: R70062  
 COLOR: NATURAL  
 ASTM: D 4066, PA111  
 RoHS COMPLIANCE: YES  
 TEMPERATURE RANGE (REF.): -40 to 185°F (-40 to 85°C)  
 MR NUMBER: 01

NYLON 66 RATED UL94V-0 AVAILABLE UPON REQUEST TO ORDER ADD SUFFIX "X" TO PART NUMBER



## 36 SERIES

PART NO.	L	
	In.	mm
01-36-80	.31	8
01-36-100	.39	10
01-36-120	.47	12
01-36-140	.55	14

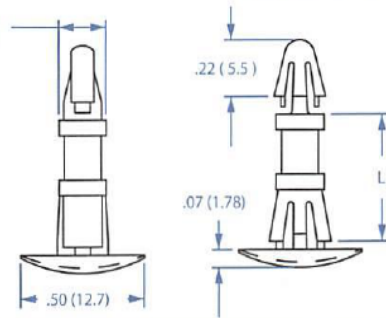
PACKAGING: 1000 PER BAG

HOLE DIAMETER PANEL THICKNESS .19(5)DIA.

.156±.003 (4±0.08) .062 (1.57)

### 01-36

.213±.003 (5.4±0.08) .04-.062 (1-1.57)



ITEM NO	L	
	±.015 In.	(0.38) mm
01-39-60	.380	9.6
01-39-80	.506	12.8
01-39-100	.630	16
01-39-120	.754	19.2
01-39-140	.816	20.7
01-39-160	1.00	25.4

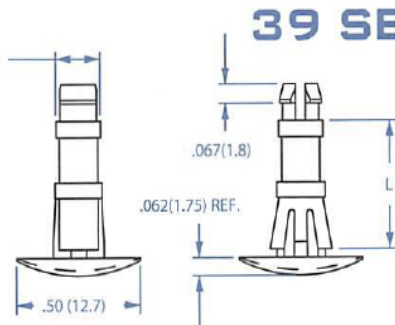
PACKAGING: 1000 PER BAG

HOLE DIAMETER PANEL THICKNESS .18(4.57)

.156±.003 (4±0.08) .062 (1.57)

### 01-39

.213±.003 (5.4±0.08) .04-.062 (1-1.57)



## 39 SERIES

ITEM NO.	L	
	In.	mm
01-41-50	.295	7.5
01-41-60	.357	9.06
01-41-80	.481	12.2
01-41-100	.605	16.5
01-41-120	.73	18.4
01-41-140	.853	21.7
01-41-160	1.04	26.28

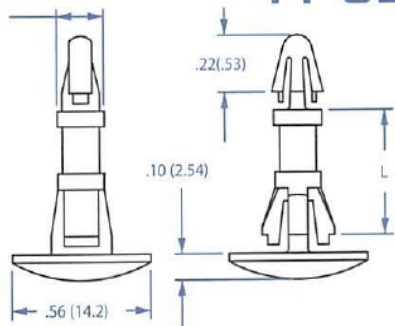
PACKAGING: 1000 PER BAG

HOLE DIAMETER PANEL THICKNESS .171(2.54)

.156±.003 (4±0.08) .062 (1.57)

### 01-41

.250±.005 (6.35±0.13) .050 TO .062 (1.27 TO 1.57)



## 41 SERIES

ITEM NO.	L	
	±.015 In.	±0.38 mm
01-42-60	.367	9.32
01-42-80	.492	12.5
01-42-100	.617	15.67
01-42-120	.742	18.85
01-42-140	.867	22.02
01-42-160	.992	25.20
01-42-180	1.06	26.92

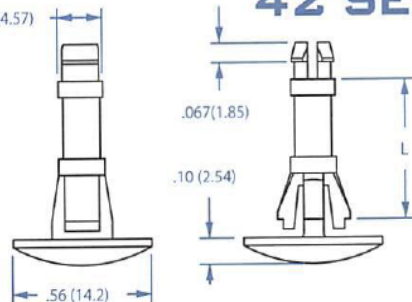
PACKAGING: 1000 PER BAG

HOLE DIAMETER PANEL THICKNESS .18(4.57)

.152±.003 (4±0.08) .062 (1.57)

### 01-42

.250±.005 (6.35±0.13) .050 TO .062 (1.27 TO 1.57)



## 42 SERIES

MATERIAL	NYLON 66
COLOR	NATURAL
ASTM	D 4066, PA0113
UL RATING	94V-2
UL FILE NO.	R70062
RoHS COMPLIANCE	YES
TEMPERATURE RANGE (REF.)	-40 to 185°F (-40 to 85°C)
MR NUMBER	01

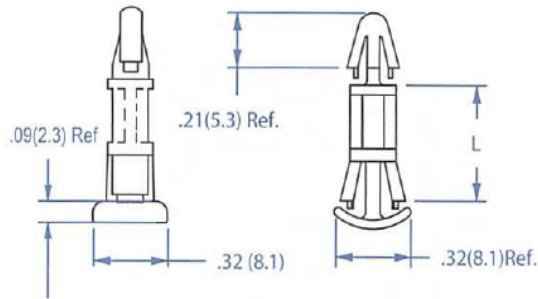
OTHER LENGTHS AVAILABLE UPON REQUEST

94V-0 RATED NYLON AVAILABLE UPON REQUEST  
TO ORDER ADD SUFFIX X TO ITEM NUMBER



Get quote »

**06 SERIES**



MOUNTING HOLE DIA. =  $.156 \pm .003$  ( $4 \pm 0.08$ )  
 PANEL THICKNESS = 1/16 (1.5)

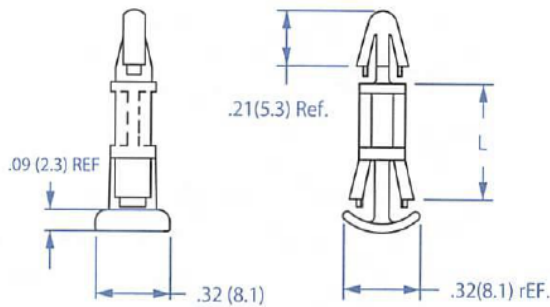
**01-06**

MOUNTING HOLE DIA. =  $.217 \pm .003$  ( $5.5 \pm 0.08$ )  
 PANEL THICKNESS = .02 TO .039 (0.5-1.0)

**PACKAGING: 500PCS PER BAG**

ITEM NO.	L ±.015 (0.38)	
	Inches	mm
01-06-50	.197	5
01-06-60	.236	6
01-06-80	.320	8
01-06-100	.394	10
01-06-120	.472	12
01-06-140	.551	14
01-06-160	.630	16
01-06-180	.709	18

**07 SERIES**



MOUNTING HOLE DIA. =  $.156 \pm .003$  ( $4 \pm 0.08$ )  
 PANEL THICKNESS = 1/16 (1.5)

**01-07**

MOUNTING HOLE DIA. =  $.217 \pm .003$  ( $5.5 \pm 0.08$ )  
 PANEL THICKNESS = .047 TO .079 (1.2 - 2)

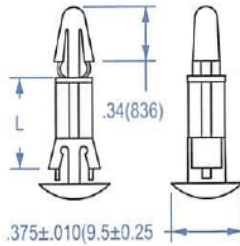
**PACKAGING: 500PCS PER BAG**

ITEM NO.	L ±.015 (0.38)	
	Inches	mm
01-07-50	.197	5
01-07-60	.236	6
01-07-80	.320	8
01-07-100	.394	10
01-07-120	.472	12
01-07-140	.551	14
01-07-160	.630	16
01-07-180	.709	18

MATERIAL	NYLON 66	
UL RATING	94V-2	
UL FILE NO.	E53664	
COLOR	NATURAL	V-0 RATED NYLON AVAILABLE ON REQUEST.
ASTM	D 4066, PA111	TO ORDER ADD SUFFIX " X" TO PART NUMBER
RoHS COMPLIANCE	YES	
TEMPERATURE RANGE (REF.)	-40 to 185°F (-40 to 85°C)	
MR NUMBER	05	

## 31 SERIES

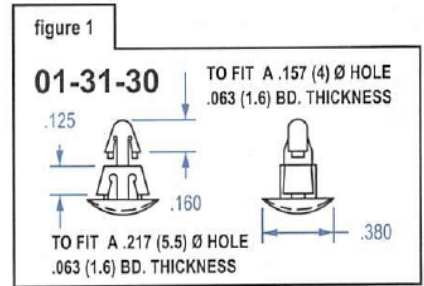
ITEM NO	L	
	In.	mm
01-31-30	.125	3.18 (fig.1)
01-31-50	.197	5
01-31-60	.250	6.35
01-31-80	.315	8
01-31-100	.378	9.6
01-31-120	.472	12
01-31-140	.551	14
01-31-180	.709	18



TO FIT A .157 (4) Ø HOLE  
.063 (1.6) BD. THICKNESS

### 01-31

TO FIT A .217 (5.5) Ø HOLE  
.063 (1.6) BD. THICKNESS

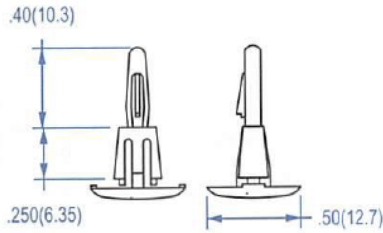


## 32 SERIES

TO FIT A .156 (4) Ø HOLE  
.062 (1.6) BD. THICKNESS

### 01-32-80

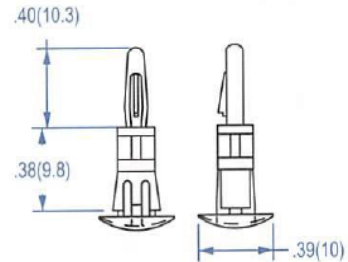
TO FIT A .216 (5.5) Ø HOLE  
.070 (1.8) BD. THICKNESS



TO FIT A .156 (4) Ø HOLE  
.062 (1.6) BD. THICKNESS

### 01-32-100

TO FIT A .216 (5.5) Ø HOLE  
.070 (1.8) BD. THICKNESS

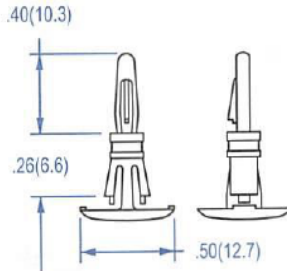


## 46 SERIES

TO FIT A .156 (4) Ø HOLE  
.062 (1.6) BD. THICKNESS

### 01-46-70

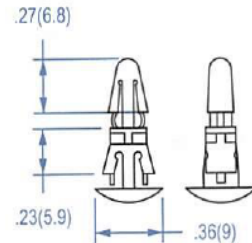
TO FIT A .212 (5.4) Ø HOLE  
.062 (1.6) BD. THICKNESS



TO FIT A .125 (3.18) Ø HOLE  
.070 (1.8) BOARD. THICKNESS

### 01-33-60

TO FIT A .202 (5.3) Ø HOLE  
.070 (1.8) BD. THICKNESS



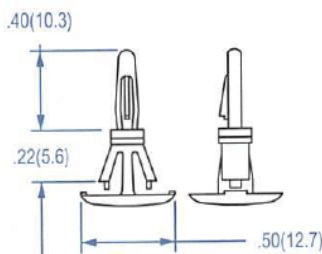
## 33 SERIES

## 48 SERIES

TO FIT A .156 (4) Ø HOLE  
.062 (1.6) BD. THICKNESS

### 01-48-60

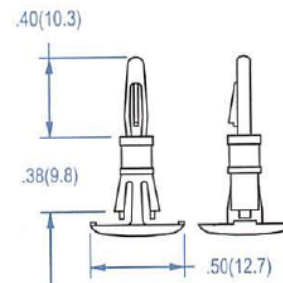
TO FIT A .250 (6.4) Ø HOLE  
.070 (1.8) BD. THICKNESS



TO FIT A .156 (4) Ø HOLE  
.062 (1.6) BD. THICKNESS

### 01-47-100

TO FIT A .212 (5.4) Ø HOLE  
.070 (1.8) BD. THICKNESS



## 47 SERIES

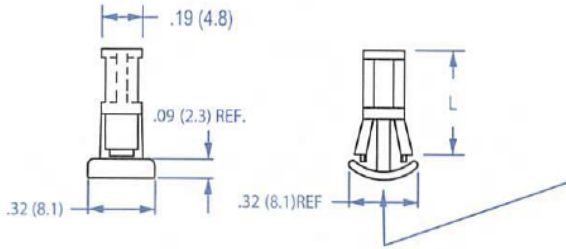
MATERIAL	NYLON 66
UL RATING	94V-2
UL FILE NO.	R70062
COLOR	NATURAL
ASTM	D 4066, PA111
RoHS COMPLIANCE	YES
TEMPERATURE RANGE (REF.)	-40 to 185°F (-40 to 85°C)
MR NUMBER	13

V-0 RATED NYLON AVAILABLE UPON REQUEST  
TO ORDER ADD SUFFIX "X" TO PART NUMBER

PACKAGING: 1000PCS PER BAG



**08 SERIES  
09 SERIES**



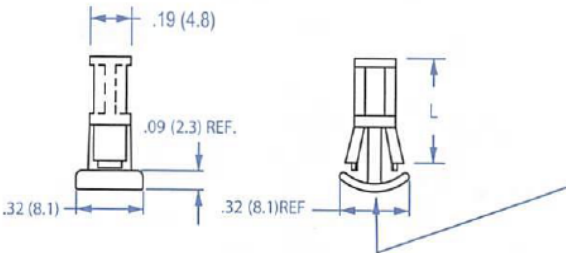
**01-08**

TO LOCK IN A .217 (5.5) DIA. HOLE,  
.02 TO .039 (0.5 - 1) PANEL THICKNESS

**PACKAGING: 500PCS PER BAG**

ITEM NO.	L ± .015 (0.38)	
	Inhes	mm
01-08-50	.197	5
01-08-60	.236	6
01-08-80	.320	8
01-08-100	.394	10
01-08-120	.472	12
01-08-140	.551	14
01-08-160	.630	16
01-08-180	.709	18

P/N -50 AND -60 HAVE NO SPACER



**01-09**

TO LOCK IN A .217 (5.5) DIA. HOLE,  
.047 TO .079 (1.2 - 2) PANEL THICKNESS

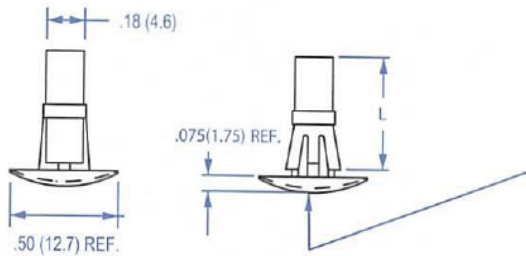
**PACKAGING: 500PCS PER BAG**

ITEM NO.	L ± .015 (0.4)	
	Inhes	mm
01-09-50	.197	5
01-09-60	.236	6
01-09-80	.320	8
01-09-100	.394	10
01-09-120	.472	12
01-09-140	.551	14
01-09-160	.630	16
01-09-180	.709	18

P/N -50 AND -60 HAVE NO SPACER

MATERIAL	NYLON 66	V-0 RATED NYLON AVAILABLE ON REQUEST. TO ORDER ADD SUFFIX "X" TO PART NUMBER
UL RATING	94V-2	
UL FILE NO.	E53664	
COLOR	BLACK	
ASTM	D 4066, PA0113	
RoHS COMPLIANCE	YES	
TEMPERATURE RANGE (REF.)	-40 to 185°F (-40 to 85°C)	
MR NUMBER	05	

**40 SERIES  
43 SERIES**



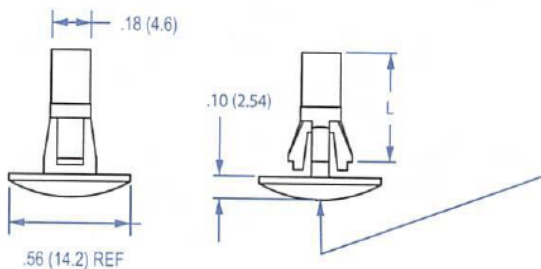
**01-40**

TO LOCK IN A .213 ± .003 (5.4±0.8) DIA HOLE,  
.062 (1.57) NOMINAL PANEL THICKNESS.

**PACKAGING: 1000PCS PER BAG**

ITEM NO.	L	
	± .015 Inhes	(0.38) mm
01-40-40	.256	6.5
01-40-60	.380	9.6
01-40-80	.506	12.8
01-40-100	.630	16
01-40-120	.754	19.2
01-40-140	.816	20.7
01-40-160	1.00	25.4

OTHER LENGTHS AVAILABLE ON  
REQUEST



**01-43**

TO LOCK IN A .250 ± .005 (6.35±0.13) DIA. HOLE,  
.050 TO .062 (1.27 TO 1.57) PANEL THICKNESS

**PACKAGING: 1000PCS PER BAG**

ITEM NO.	L	
	± .015 Inhes	±0.38 mm
01-43-60	.242	6.15
01-43-80	.367	9.32
01-43-100	.492	12.5
01-43-120	.617	15.67
01-43-140	.742	18.85
01-43-160	.867	22.02
01-43-180	.992	25.20
01-43-200	1.12	28.45

OTHER LENGTHS AVAILABLE ON  
REQUEST

MATERIAL	NYLON 66	V-0 RATED NYLON AVAILABLE ON REQUEST. TO ORDER ADD SUFFIX "X" TO PART NUMBER
UL RATING	94V-2	
UL FILE NO.	R70062	
COLOR	NATURAL	
ASTM	D 4066, PA111	
RoHS COMPLIANCE	YES	
TEMPERATURE RANGE (REF.)	-40 to 185°F (-40 to 85°C)	
MR NUMBER	01	



Get quote »

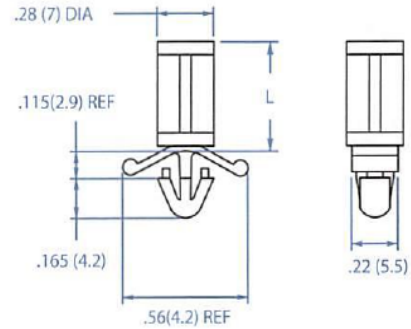
## 04 SERIES

ITEM NO.	L	
	m) ± .015	(± 0.4)
01-04-30	.187	(4.8)
01-04-40	.250	(6.4)
01-04-50	.312	(7.9)
01-04-60	.375	(9.5)
01-04-70	.437	(11.1)
01-04-80	.500	(12.7)
01-04-10	.625	(15.9)
01-04-120	.750	(19.1)
01-04-140	.875	(22.2)
01-04-160	1.00	(25.4)
01-04-180	1.12	(28.6)
01-04-200	1.25	(31.8)
01-04-220	1.38	(34.9)

### 01-04

TO LOCK IN A .187 ±.003 (4.75±0.08) DIA. HOLE,  
.032 TO .090 (.8 - 2.3) PANEL THICKNESS

PACKAGING: 500 PER BAG

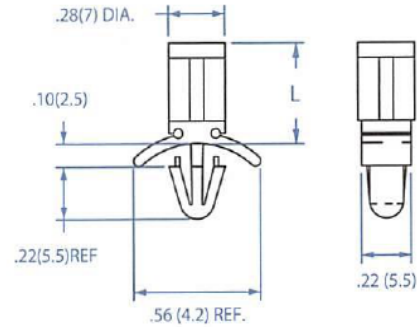


ITEM NO.	L	
	Inches ± .015	(mm) (± 0.4)
01-04A-30	.187	(4.8)
01-04A-40	.250	(6.4)
01-04A-50	.312	(7.9)
01-04A-60	.375	(9.5)
01-04A-70	.437	(11.1)
01-04A-80	.500	(12.7)
01-04A-100	.625	(15.9)
01-04A-120	.750	(19.1)
01-04A-140	.875	(22.2)
01-04A-160	1.00	(25.4)
01-04A-180	1.12	(28.6)
01-04A-200	1.25	(31.8)
01-04A-220	1.38	(34.9)

### 01-04A

TO LOCK IN A .187 ±.003 (4.75± 0.08) DIA. HOLE,  
.04 TO .078 (1-1.57) PANEL THICKNESS

PACKAGING: 500 PER BAG



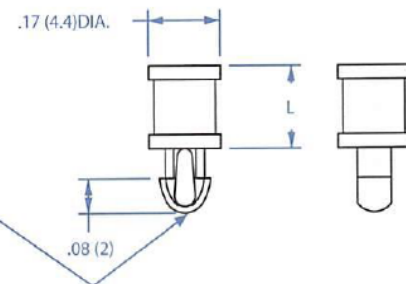
## 29 SERIES

ITEM NO.	L	
	Inches ± .015	(mm) ± 0.4
01-29-10	.062	1.6
01-29-20	.125	3.2
01-29-30	.187	4.8
01-29-35	.209	5.3
01-29-40	.250	6.35
01-29-50	.312	7.9
01-29-60	.375	9.5
01-29-70	.437	11.1
01-29-80	.500	12.7
01-29-90	.563	14.3
01-29-100	.625	15.9
01-29-120	.750	19.1
01-29-130	.813	20.6
01-29-140	.875	22.2
01-29-160	1.00	25.4

### 01-29

TO LOCK IN .100 (2.54) DIA. HOLE  
.062 (1.6) PANEL THICKNESS

PACKAGING: 1000PCS PER BAG



MATERIAL	NYLON 66
UL RATING	94V-2
UL FILE NO.	R70062
COLOR	NATURAL
ASTM	D 4066, PA111
RoHS COMPLIANCE	YES
TEMPERATURE RANGE (REF.)	-40 to 185°F (-40 to 85°C)
MR NUMBER	01

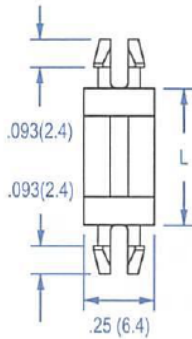
V-0 RATED NYLON AVAILABLE ON REQUEST.  
TO ORDER ADD SUFFIX "X" TO PART NUMBER



**20 SERIES  
21 SERIES  
22 SERIES**

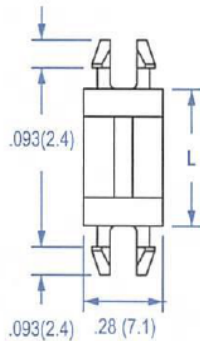
**01-20**

.156±.003 (4±0.08) DIA HOLE, 1/16 (1.6) THICKNESS. BOTH SIDES



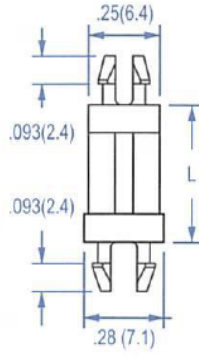
**01-21**

.187±.003 (4.75±0.08) DIA HOLE, 1/16 (1.6) THICKNESS. BOTH SIDES



**01-22**

.156±.003 (4±0.08) DIA HOLE THICKNESS. 1/16 (1.6) MTL. THICKNESS



.187±.003 (4.75±0.08) DIA HOLE 1/16 (1.6) MTL. THICKNESS

ITEM NO.	ITEM NO.	ITEM NO.	DIM. L	
			±.015 Inches	0.38 mm.
01-20-30	01-21-30	01-22-30	.187	4.8
01-20-40	01-21-40	01-22-40	.250	6.4
01-20-60	01-21-60	01-22-60	.375	9.6
01-20-80	01-21-80	01-22-80	.500	12.7
01-20-100	01-21-100	01-22-100	.625	15.9
01-20-120	01-21-120	01-22-120	.750	19.1
01-20-140	01-21-140	01-22-140	.875	22.3
01-20-160	01-21-160	01-22-160	1.00	25.4

**PACKAGING: 500PCS PER BAG**

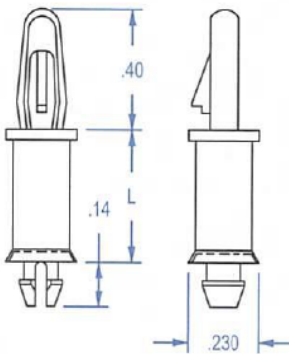
MATERIAL	NYLON 66
UL RATING	94V-2
UL FILE NO.	E157012
COLOR	NATURAL
ASTM	D 4066
RoHS COMPLIANCE	YES
TEMPERATURE RANGE (REF.)	-40 to 170°F (-40 to 77°C)
MR NUMBER	25

NYLON 66, RATED UL94V-0 AVAILABLE ON REQUEST.  
TO ORDER ADD SUFFIX "X" TO P/N

**17 SERIES  
18 SERIES**

**01-17**

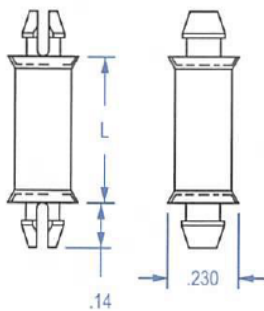
.156±.003 (4±0.08) DIA HOLE 1/16 (1.6) MTL. THICKNESS



.125±.003 (3.18±0.08) DIA HOLE 1/16 (1.6) MTL. THICKNESS

**01-18**

TO FIT A .125±.003 (3.18±0.08) DIA HOLE 1/16 (1.6) MTL. THICKNESS, BOTH ENDS



ITEM NO.	ITEM NO.	DIM. L	
		±.015 Inches	0.38 mm.
01-17-20	01-18-20	.126	3.2
01-17-40	01-18-40	.252	6.4
01-17-50	01-18-50	.315	8
01-17-60	01-18-60	.378	9.6
01-17-70	01-18-70	.441	11.2
01-17-80	01-18-80	.500	12.7
01-17-100	01-18-100	.626	15.9
01-17-120	01-18-120	.752	19.1
01-17-140	01-18-140	.878	22.3
01-17-160	01-18-160	1.00	25.4

**PACKAGING: 500PCS PER BAG**

MATERIAL	NYLON 66
UL RATING	94V-2
UL FILE NO.	E41938
COLOR	NATURAL
ASTM	D 4066, PA111
RoHS COMPLIANCE	YES
TEMPERATURE RANGE (REF.)	-40 to 185°F (-40 to 85°C)
MR NUMBER	12

NYLON 66, RATED UL94V-0 AVAILABLE ON REQUEST.  
TO ORDER ADD SUFFIX "X" TO P/N



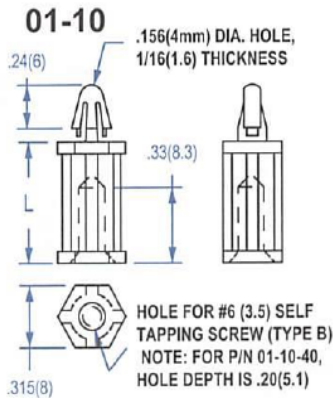
Get quote

## 10 SERIES

## 12 SERIES

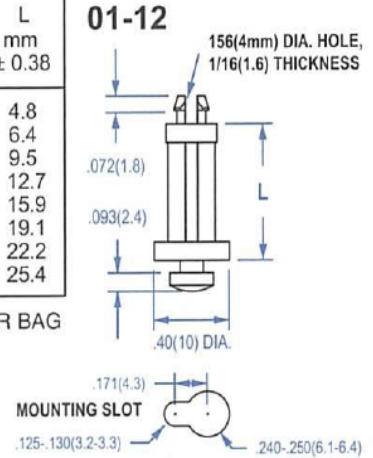
ITEM NO.	DIM	
	Inches ±.015	L mm ± 0.38
01-10-40	.250	6.4
01-10-60	.375	9.5
01-10-80	.500	12.7
01-10-90	.562	14.3
01-10-100	.625	15.9
01-10-120	.750	19.1
01-10-140	.875	22.2
01-10-160	1.00	25.4
01-10-180	1.13	28.6
01-10-220	1.38	34.9

PACKAGING: 500PCS PER BAG  
MR NUMBER: 05



ITEM NO.	DIM	
	Inches ±.015	L mm ± 0.38
01-12-30	.187	4.8
01-12-40	.250	6.4
01-12-60	.375	9.5
01-12-80	.500	12.7
01-12-100	.625	15.9
01-12-120	.750	19.1
01-12-140	.875	22.2
01-12-160	1.00	25.4

PACKAGING: 500PCS PER BAG  
MR NUMBER: 12

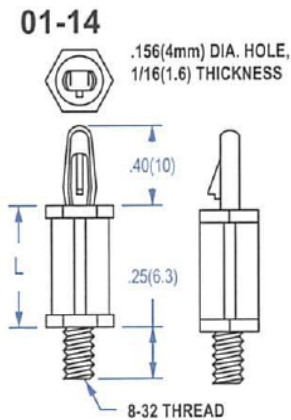


## 14 SERIES

## 23 SERIES

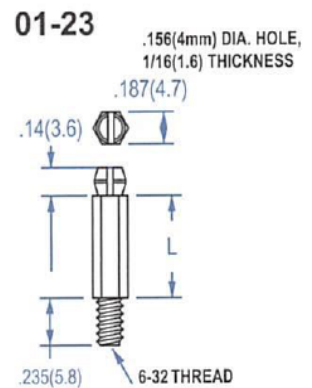
ITEM NO.	DIM	
	Inches ±.015	L mm ± 0.38
01-14-40	.250	6.4
01-14-60	.375	9.5
01-14-80	.500	12.7
01-14-100	.625	15.9
01-14-120	.750	19.1
01-14-140	.875	22.2
01-14-160	1.00	25.4
01-14-180	1.125	28.6

PACKAGING: 500PCS PER BAG  
MR NUMBER: 12



ITEM NO.	DIM	
	Inches ±.015	L mm ± 0.38
01-23-20	.125	3.2
01-23-30	.187	4.8
01-23-40	.250	6.4
01-23-60	.375	9.5
01-23-80	.500	12.7
01-23-100	.625	15.9
01-23-120	.750	19.1
01-23-140	.875	22.2

PACKAGING: 500PCS PER BAG  
MR NUMBER: 12



01-24 ITEM NO.	01-30 ITEM NO.	DIM	
		Inches ±.015	L mm ± 0.38
01-24-20	01-30-20	.125	3.2
01-24-30	01-30-30	.187	4.8
01-24-40	01-30-40	.250	6.4
01-24-50	01-30-50	.312	7.9
01-24-60	01-30-60	.375	9.5
01-24-70	01-30-70	.437	11.1
01-24-80	01-30-80	.500	12.7
01-24-90	01-30-90	.562	14.3
01-24-100	01-30-100	.625	15.9
01-24-110	01-30-110	.687	17.5
01-24-120	01-30-120	.750	19.1
01-24-130	01-30-130	.812	20.6
01-24-140	01-30-140	.875	22.2
01-24-160	01-30-160	1.00	25.4
01-24-180	01-30-180	1.13	28.6
01-24-200	01-30-200	1.25	31.7
01-24-220	01-30-220	1.38	34.9
01-24-240	01-30-240	1.53	38.9

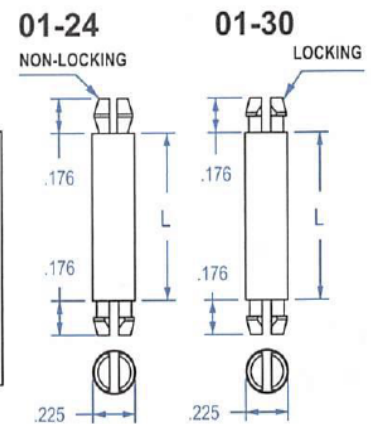
PACKAGING: 1000PCS PER BAG

.152 ± .003 ( 3.86 ± 0.08) DIA. HOLE.  
1/16 (1.6) PANEL THICKNESS, BOTH ENDS

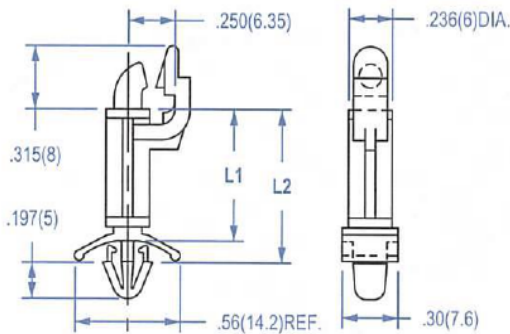
MATERIAL	NYLON 66
UL RATING	94V-2
UL FILE NO.	R70062
COLOR	NATURAL
ASTM	D 4066,
RoHS COMPLIANCE	YES
TEMP. RANGE (REF.)	-40 to 185°F (-40 to 85°C)
MR NUMBER	01

NYLON 66 RATED UL 94V-0 AVAILABLE ON REQUEST.  
TO ORDER ADD SUFFIX "X" TO PART NO.

## 24 SERIES 30 SERIES



**02 SERIES**



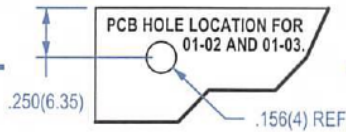
**.156 (4) DIA. HOLE, 1/16 (1.6) BD. THICKNESS**

**01-02**

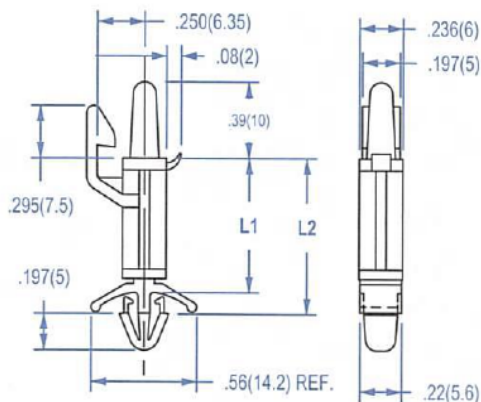
**.189 (4.8) DIA. HOLE, .020-.079 (0.5-2) MTL. THICKNESS**

**PACKAGING: 500 PER BAG**

ITEM NO	L1		L2	
	Inches ±.015	mm ±0.38	Inches ±.015	mm ±0.38
01-02-50	.315	8	.406	10.3
01-02-60	.378	9.6	.469	11.9
01-02-80	.500	12.7	.591	15
01-02-100	.625	15.9	.717	18.2
01-02-120	.752	19.1	.843	21.4
01-02-140	.878	22.3	.969	24.6
01-02-160	1.00	25.4	1.09	27.7



**03 SERIES**



**.156 (4) DIA. HOLE, 1/16 (1.6) BD. THICKNESS**

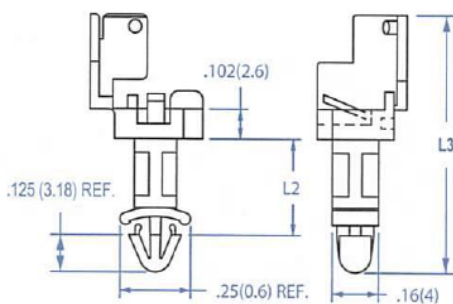
**01-03**

**.189 (4.8) DIA. HOLE, .020-.079 (0.5-2) MTL. THICKNESS**

**PACKAGING: 500 PER BAG**

ITEM NO	L1		L2	
	Inches ±.015	mm ±0.38	Inches ±.015	mm ±0.38
01-03-50	.315	8	.406	10.3
01-03-60	.378	9.6	.469	11.9
01-03-80	.500	12.7	.591	15
01-03-100	.625	15.9	.717	18.2
01-03-120	.752	19.1	.843	21.4
01-03-140	.878	22.3	.969	24.6
01-03-160	1.00	25.4	1.09	27.7

**25 SERIES**

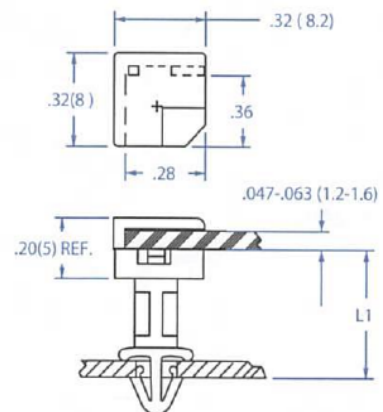


**01-25**

**.125 ± .003 ( 3.1± .076) DIA HOLE, .047-.063 ( 1.2 - 1.6 ) MTL THICKNESS.**

**PACKAGING: 500 PER BAG**

ITEM NO	L1		L2		L3	
	Inches ±.015	mm ±0.38	Inches ±.015	mm ±0.38	Inches REF.	mm REF.
01-25-04	.315	8	.213	5.4	.654	16.6
01-25-07	.433	11	.331	8.4	.772	19.6
01-25-12	.630	16	.528	13.4	.969	24.5

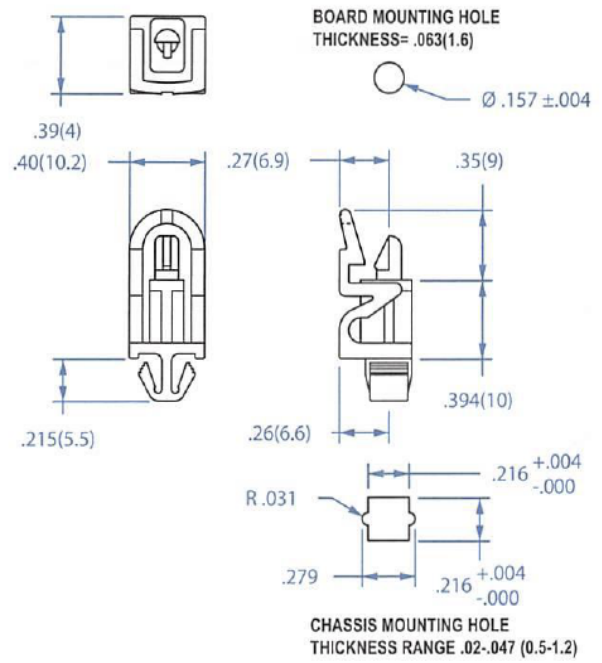
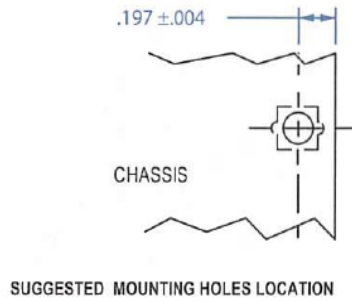


MATERIAL	NYLON 66	.UL94V-O RATED MATERIAL AVAILABLE ON REQUEST. ADD SUFFIX "X" TO PART NUMBER.
UL RATING	94V-2	
UL FILE NO.	E53664	
COLOR	NATURAL	
ASTM	D 4066	
RoHS COMPLIANCE	YES	
TEMP. RANGE (REF.)	-40 to185°F (-40 to 85°C)	
MR NUMBER	05	



Get quote >>

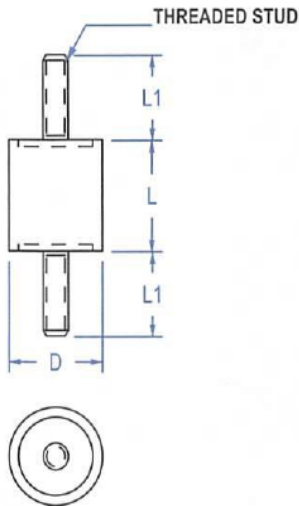
## 45 SERIES



### 01-45-60

MATERIAL	NYLON 66
UL RATING	94V-2
UL FILE NO.	E53664
COLOR	NATURAL
ASTM	D 4066, PA111
RoHS COMPLIANCE	YES
TEMPERATURE RANGE (REF.)	-40 to 185°F (-40 to 85°C)
MR NUMBER	05

**37 SERIES**



**01-37 Component Mounts, Soft**

AEH P/N	THREAD	H	D	L
01-37-100	8 . 32	1/2	7/16	3/8
01-37-101	8 . 32	1/2	9/16	3/8
01-37-110	1/4-20	3/4	1.0	1/2
01-37-120	5/16-18	3/4	1 1/4	9/16

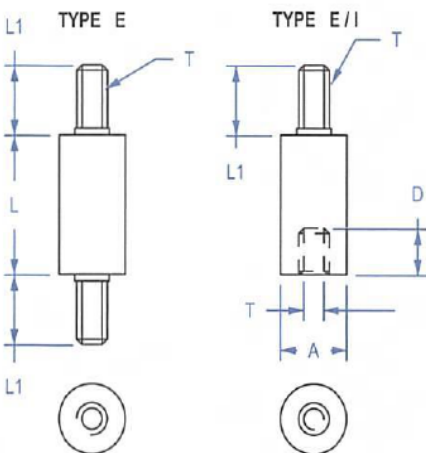
UNTHREADED PORTION OF THE STUD=1/16 MAX

**PACKAGING:** 100PCS PER BAG

**MATERIAL** ELASTOMER: NATURAL RUBBER, ( BLACK ), 40 DUROMETER  
 INSERTS: 1010--1020 STEEL, .ZINK DICHROMATE PLATING. ( YELLOW )

IDEAL FOR MOUNTING ELECTRICAL MOTORS, FANS AND BLOWERS, TIMING DEVICES, AIR HANDLING EQUIPMENTS AND CONTROL PANELS.  
 LOAD CAN BE IN COMPRESSION, SHEAR, OR COMBINATION OF BOTH.  
 IN ORDER TO SELECT THE PROPER MOUNT PLEASE FURNISH THE FOLLOWING:  
 TOTAL LOAD (lbs) , NUMBER AND STYLE OF MOUNTS REQUIRED IF LOAD IS EVENLY DISTRIBUTED.  
 OPERATING SPEED (RPM) ISOLATION DESIRED IN % . ( 81 % IS GENERALLY RECCOMENDED ).

**38 SERIES**



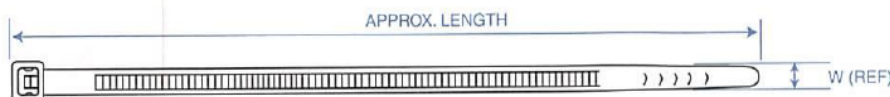
**01-38 Component Mounts, Rigid**

**BODY MATERIAL:** NYLON 66, COLOR : WHITE  
**STEEL INSERTS FINISH:** YELLOW CHROMATE OVER ZINK.  
**PACKAGING:** 100 PER BAG OR BULK

ITEM NO.	TYPE	T Thread	Ø A		L		L1		D		Inserts Material	Stud Material
			in.	mm	in.	mm.	in.	mm	in.	mm		
01-38-100	E / I	M4	.38	9.5	.98	25	.39	10	.28	7	Brass	Brass
01-38-101	E / I	M4	.38	9.5	1.77	45	.39	10	.28	7	Brass	Brass
01-38-110	E	M6	5/8	16	1.26	32	1/2	12.6	---	---	---	Steel
01-38-120	E / I	6-32	1/4	6.35	3/4	19	1/4	6.35	11/64	4.36	Brass	Steel
01-38-130	E	1/4-20	5/8	16	1 1/4	31.8	9/16	14.3	---	---	---	Brass



00 SERIES  
01 SERIES  
02 SERIES  
07 SERIES  
03 SERIES  
04 SERIES



MATERIAL	NYLON 66 UV STABLE
UL RATING	94V-2
UL FILE NO.	R70062
COLOR	BLACK
ASTM	D 4066, PA111
RoHS COMPLIANCE	YES
TEMPERATURE RANGE (REF.)	-40 to 185°F (-40 to 85°C)
MR NUMBER	14

MATERIAL	NYLON 66
UL RATING	94V-2
UL FILE NO.	R70062
COLOR	NATURAL
ASTM	D 4066, PA111
RoHS COMPLIANCE	YES
TEMPERATURE RANGE (REF.)	-40 to 185°F (-40 to 85°C)
MR NUMBER	13

- Miniature ties (02-00 series)
- Intermediate ties (02-01 series)
- Standard ties (02-02 and 02-07 series)
- Heavy duty ties (02-03 series)
- Extra heavy duty ties (02-04 series)



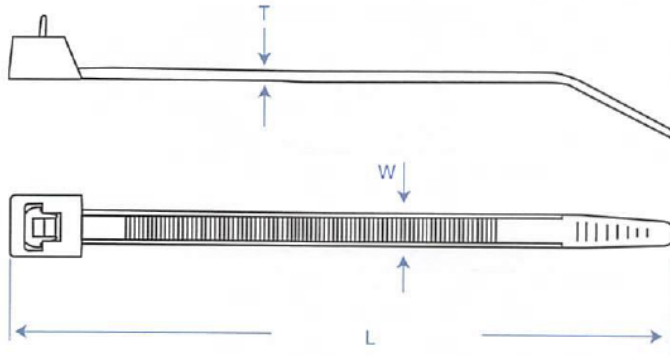
ITEM NO.		Bundle Diameter		Approx. Length		Width (Ref.)		Min. Loop Tensile lb (Kg)	Pack Size
Natural	Black	inches	(mm)	inches	(mm)	inches	(mm)		
02-00-318-N	02-00-318-UVB	1/16-5/8	(2.0-16.0)	3.0	(75)	.095	(2.4)	18 (8.2)	100 or 1000
02-00-418-N	02-00-418-UVB	1/16-13/16	(2.0-23.0)	4.0	(100)	.100	(2.5)		
02-00-618-N	02-00-618-UVB	1/16-1.38	(2.0-44.0)	6.5	(165)				
02-00-818-N	02-00-818-UVB	1/16-2.0	(2.0-55.0)	8.0	(203)				
02-00-1518-N	02-00-1518-UVB	1/16-4.5	(2.0-114.0)	15.7	(400)				
02-01-530-N	02-01-530-UVB	1/16-1.38	(2.0-35.0)	5.5	(142)	.140	(3.6)	30 (13.6)	100 or 1000
02-01-830-N	02-01-830-UVB	1/16-2.0	(2.0-55.0)	8.0	(203)	.130	(3.2)		
02-07-540-N	02-07-540-UVB	1/16-1.38	(2.0-35.0)	5.5	(142)	.140	(3.6)	40 (18.2)	100 or 1000
02-07-840-N	02-07-840-UVB	1/16-2.0	(2.0-55.0)	8.0	(203)	.140	(3.6)		
02-07-1140-N	02-07-1140-UVB	1/16-3.25	(2.0-85.0)	11.5	(292)	.140	(3.6)		
02-07-1440-N	02-07-1440-UVB	1/16-4.0	(2.0-102.0)	14.5	(368)	.140	(3.6)		

ITEM NO.		Bundle Diameter		Approx. Length		Width (Ref.)		Min. Loop Tensile lb (Kg)	Pack Size
Natural	Black	inches	(mm)	inches	(mm)	inches	(mm)		
02-02-650-N	02-02-650-UVB	1/16-1.5	(2.0-42.0)	6.25	(160)	.187	(4.8)	50 (22.7)	100 or 1000
02-02-750-N	02-02-750-UVB	1/16-2.0	(2.0-55.0)	8.0	(203)	.180	(4.6)		
02-02-1150-N	02-02-1150-UVB	1/16-3.0	(2.0-81.0)	11.0	(280)	.187	(4.8)		
02-02-1450-N	02-02-1450-UVB	1/16-4.0	(2.0-102.0)	14.5	(368)	.187	(4.8)		
02-02-1550-N	02-02-1550-UVB	1/16-4.5	(2.0-116.0)	15.2	(385)	.187	(4.8)		
02-02-1750-N	02-02-1750-UVB	1/16-5.0	(2.0-130.0)	17.75	(450)	.187	(4.8)		
02-02-3650-N	02-02-3650-UVB	1/16-10.5	(2.0-270.0)	36.0	(914)	.187	(4.8)		
02-03-8120-N	02-03-8120-UVB	3/16-2.0	(5.0-55.0)	8.0	(203)	.300	(7.6)	120 (54.4)	100
02-03-11120-N	02-03-11120-UVB	3/16-3.0	(5.0-78.0)	11.0	(280)	.300	(7.6)		
02-03-15120-N	02-03-15120-UVB	3/16-4.25	(5.0-110.0)	15.0	(380)	.300	(7.6)		
02-03-18120-N	02-03-18120-UVB	3/16-5.25	(5.0-133.0)	17.75	(450.0)	.310	(8)		
02-04-21175-N	02-04-21175-UVB	3/16-6.5	(5.0-166.0)	21.5	(550)	.310	(8)	175 (79.3)	100
02-04-24175-N	02-04-24175-UVB	3/16-7.25	(5.0-185.0)	23.8	(605)	.350	(9)		
02-04-30175-N	02-04-30175-UVB	3/16-9.25	(5.0-236.0)	30.0	(762)	.350	(9)		
02-04-36175-N	02-04-36175-UVB	3/16-10.5	(5.0-270.0)	36.0	(914)	.350	(9)		
02-04-46175-N	02-04-46175-UVB	3/16-14.0	(5.0-360.0)	46.0	(1168)	.350	(9)		
02-04-48175-N	02-04-48175-UVB	3/16-15.0	(5.0-380.0)	48.0	(1219.0)	.350	(9)		



13 SERIES

- Releasable cable ties



MATERIAL	NYLON 66 UV STABLE
UL RATING	94V-2
UL FILE NO.	R70062
COLOR	BLACK
ASTM	D 4066, PA111
RoHS COMPLIANCE	YES
TEMPERATURE RANGE (REF.)	-40 to 185°F (-40 to 85°C)
MR NUMBER	14

MATERIAL	NYLON 66
UL RATING	94V-2
UL FILE NO.	R70062
COLOR	NATURAL
ASTM	D 4066, PA111
RoHS COMPLIANCE	YES
TEMPERATURE RANGE (REF.)	-40 to 185°F (-40 to 85°C)
MR NUMBER	13

ITEM NO.		L - Approx		W - Approx.		T - Approx.		Bundle Range		Tensile Strength
Natural	Black	inches	(mm)	inches	(mm)	inches	(mm)	inches	(mm)	
02-13-650-N	02-13-650-UVB	5.9	(150)	.185	(4.7)	.06	(1.5)	1/8-1.5	(3.2-39.0)	50 lb.
02-13-750-N	02-13-750-UVB	7.9	(200)	.185	(4.7)	.06	(1.5)	1/8-2.0	(3.2-55.0)	50 lb.
02-13-1150-N	02-13-1150-UVB	11.0	(280)	.187	(4.8)	.062	(1.6)	1/8-3.0	(3.2-81.0)	50 lb.
02-13-1450-N	02-13-1450-UVB	14.5	(370)	.187	(4.8)	.063	(1.61)	1/8-4.0	(3.2-102.0)	50 lb.

PACKAGING: 1000/bag

05 SERIES

- Mounting head ties
- Mount method; via screws, see chart for appropriate screw size



MATERIAL	NYLON 66 UV STABLE
UL RATING	94V-2
UL FILE NO.	R70062
COLOR	BLACK
ASTM	D 4066, PA111
RoHS COMPLIANCE	YES
TEMPERATURE RANGE (REF.)	-40 to 185°F (-40 to 85°C)
MR NUMBER	14

MATERIAL	NYLON 66
UL RATING	94V-2
UL FILE NO.	R70062
COLOR	NATURAL
ASTM	D 4066, PA111
RoHS COMPLIANCE	YES
TEMPERATURE RANGE (REF.)	-40 to 185°F (-40 to 85°C)
MR NUMBER	13

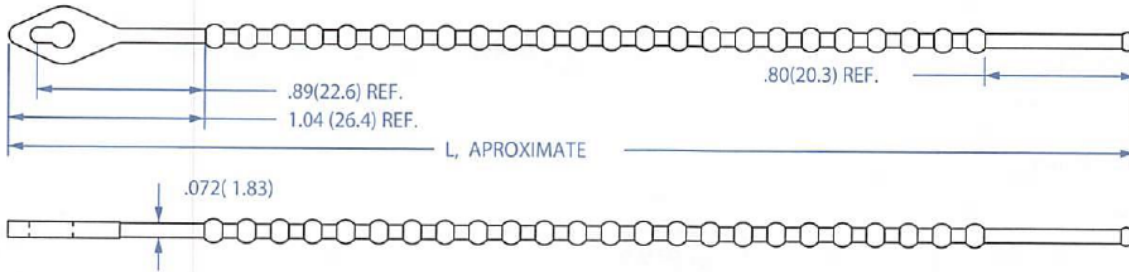
ITEM NO.		Bundle Diam. Range	Approx. Length	Approx. Width	Tensile Strength	Mounting Screw Size	Pack Size			
Natural	Black							inches	(mm)	inches
02-05-630-N	02-05-630-UVB	1/16-1 1/2	(2.0-40.0)	6.0	(155)	.145	(3.7)	40 lbs.	#8 (M4)	1000
02-05-850-N	02-05-850-UVB	1/16-2.3	(2.0-60.0)	8.0	(205)	.165	(4.2)	50 lbs.	#10 (M5)	1000
02-05-1150-N	02-05-1150-UVB	3/16-3.3	(5.0-85.0)	11.8	(300)	.187	(4.8)	50 lbs.	#10 (M5)	1000
02-05-15120-N	02-05-15120-UVB	3/16-4.75	(5.0-122.0)	15.6	(398)	.310	(7.9)	120 lbs.	1/4 (M6)	100



Get quote >>

## 06 SERIES

- Beaded cable ties



MATERIAL	NYLON 66
UL RATING	94V-2
UL FILE NO.	R70062
COLOR	NATURAL
ASTM	D 4066, PA111
RoHS COMPLIANCE	YES
TEMPERATURE RANGE (REF.)	-40 to 185°F (-40 to 85°C)
MR NUMBER	13

MATERIAL	NYLON 66 UV STABLE
UL RATING	94V-2
UL FILE NO.	R70062
COLOR	BLACK
ASTM	D 4066, PA111
RoHS COMPLIANCE	YES
TEMPERATURE RANGE (REF.)	-40 to 185°F (-40 to 85°C)
MR NUMBER	14

ITEM NO. Natural	ITEM NO. Black	Bundle Dia. Range		L Aproxm. Length		Tensile Strength	
		Inches	mm	Inches	mm	Lbs	Kg.
02-06-40-N	02-06-40-UVB	1/8-1.0	3.2-30	4.75	120	18	8.2
02-06-60-N	02-06-60-UVB	1/8-1.5	3.2-39	5.9	150	30	13.6
02-06-80-N	02-06-80-UVB	1/8-2.5	3.2-63	8.9	226	40	18.2
02-06-100N	02-06-100UVB	1/8-30	3.2-75	11.0	280	50	22.7

PACKAGING: 1000/bag



FIGURE 1



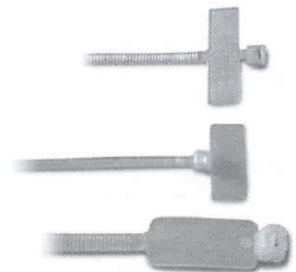
FIGURE 2



FIGURE 3

## 09 SERIES

- Identification ties



MATERIAL	NYLON 66
UL RATING	94V-2
UL FILE NO.	R70062
COLOR	NATURAL
ASTM	D 4066, PA111
RoHS COMPLIANCE	YES
TEMPERATURE RANGE (REF.)	-40 to 185°F (-40 to 85°C)
MR NUMBER	13

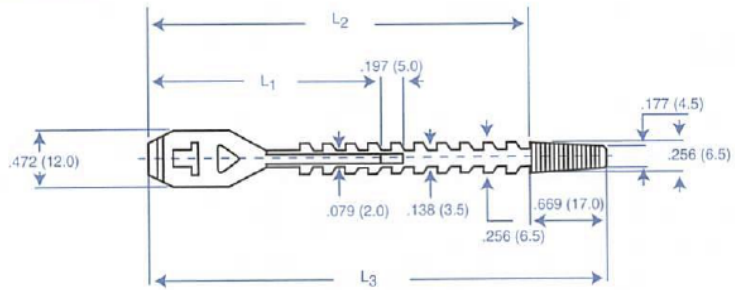
ITEM NO.	Marking Area inches	Bundle Diameter		Approx. Length		Approx. Width		Tensile Strength	Fig. No.
		inches	(mm)	inches	(mm)	inches	(mm)		
02-09-418-N	.300 x 1.00	1/16-1.0	(2.0-25.4)	4.0	(100)	.100	(2.5)	18 lb.	1
02-09-4181-N	.300 x 1.00	1/16-1.0	(2.0-25.4)	4.3	(110)	.100	(2.5)	18 lb.	2
02-09-750-N	.510 x 1.10	1/16-2.0	(2.0-50.0)	7.9	(200)	.180	(4.6)	50 lb.	3

PACKAGING: 1000/bag



**20 SERIES**

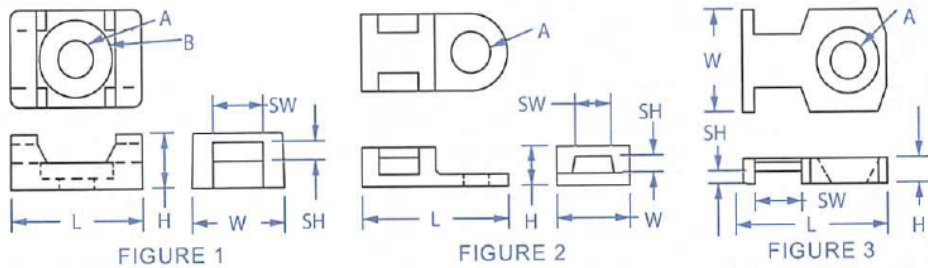
- Bundles cords neatly for storing and/or shipping
- Variety of applications



<b>ITEM NO.</b> 02-20-Series	
<b>COLOR:</b>	Natural
<b>PACKAGING:</b>	1000/bag
<b>MATERIAL:</b>	Polyethylene

ITEM NO.	L <sub>1</sub>		L <sub>2</sub>		L <sub>3</sub>		Maximum Bundle Dia.	
UL94V-2	inches	(mm)	inches	(mm)	inches	(mm)	inches	(mm)
02-20-20	2.76	(70.0)	4.25	(108.0)	4.92	(125.0)	1.18	(30.0)
02-20-30	3.94	(100.0)	5.24	(133.0)	5.91	(150.0)	1.50	(38.0)

**11 SERIES**  
**12 SERIES**

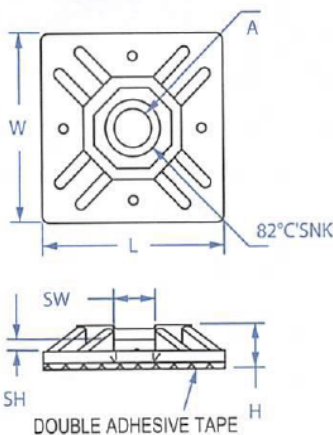


ITEM NO	A		B		L		H		W		Slot W	Slot H	Cable tie Used.	Mounting screw No. Binding or Pan Head	FIG No	
	In.	mm	In.	mm	In.	mm	In.	mm	In.	mm	In.	In.				
02-11-00	.13	3.3	.23	5.8	.50	12.7	.23	5.84	.27	6.86	.15	3.81	.062	1.6	18 - 40 Lbs	4 (M3).
02-11-10	.14	3.56	.27	6.85	.60	15.24	.28	7.11	.40	10.16	.195	4.95	.065	1.65	18 - 40 Lbs	4 or 6 (M3 & M3.5)
02-11-20	.250	6.35	.50	12.7	.90	22.86	.37	9.4	.64	16.25	.350	8.9	.120	3.0	30 - 50 Lbs	10 (M5)
02-12-20	.132	3.35	---	---	.75	19	.19	4.8	.37	9.4	.19	4.8	.075	1.9	18 - 40 Lbs	4 (M3)
02-12-40	.203	5.16	---	---	---	---	---	---	---	---	---	---	---	---	18 - 40 Lbs	6 or 8 (M3.5 or M4)
02-12-10	.180	4.57	---	---	.740	18.8	.125	3.18	.50	12.7	.225	5.7	.060	1.5	30 - 50 Lbs	8, Flat Head. (M4)

PACKAGING: 500/bag

MATERIAL	NYLON 66	
UL RATING	94V-2	
UL FILE NO.	R70062	
COLOR	NATURAL	NYLON 66 RATED UL94V-0 AVAILABLE UPON REQUEST. TO ORDER ADD SUFFIX "X" TO PART NUMBER
ASTM	D 4066	
RoHS COMPLIANCE	YES	
TEMPERATURE RANGE (REF.)	-40 to 185°F (-40 to 85°C)	
MR NUMBER	05	

**50 SERIES**



MATERIAL	NYLON 66
UL RATING	94V-2
UL FILE NO.	R70062
COLOR	NATURAL
ASTM	D 4066
RoHS COMPLIANCE	YES
TEMPERATURE RANGE (REF.)	-40 to 185°F (-40 to 85°C)
MR NUMBER	05

ADHESIVE	RUBBER
CARRIER	POLYETHYLENE
THICKNESS	1/32
COLOR	WHITE
UL FILE NO.	MH15436
RoHS COMPLIANCE	YES
TEMPERATURE	32 to 167°F (0 to 75 °C)
MR NUMBER	10
ACRYLIC ADHESIVE AVAILABLE BY SPECIAL ORDER	

ITEM NO.		L	W	A	H	SLOT H	SLOT W	Cable Ties Used
Natural	Black	In. mm	In. mm	In. mm	In. mm	In. mm	In. mm	lb (kg)
02-50-758-N	02-50-758-UVB	.75 19	.75 19	.155 3.94	.23 5.9	.048 1.22	.20 5	18 - 40
02-50-1008-N	02-50-1008-UVB	1.0 25.4	1.0 25.4	.212 5.38	.24 6.1	.055 1.4	.20 5	18 - 50

PACKAGING: 500/bag FOR OPTIONAL SCREW MOUNT USE : No. 4 FLAT HEAD FOR ITEM NO. 02-50-758  
No. 6 FLAT HEAD FOR ITEM NO 02-50-1008



51 SERIES  
52 SERIES

51-30

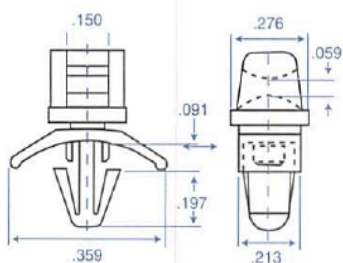


FIGURE 1

51-40

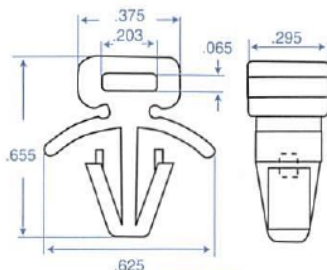
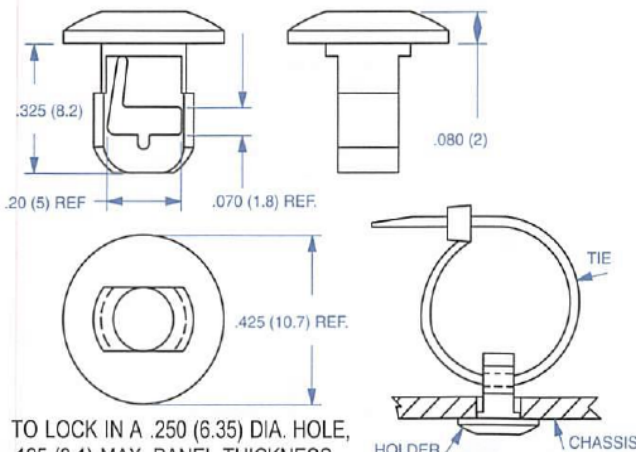


FIGURE 2

- Installs easily to chassis
- Arrowhead locks securely into hole

51-50



TO LOCK IN A .250 (6.35) DIA. HOLE,  
.125 (3.1) MAX. PANEL THICKNESS

FIGURE 3

52-50

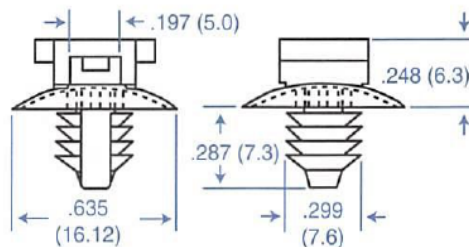


FIGURE 4

ITEM NO.		Mounting Hole Diam. inches (mm)	Chassis Thickness inches (mm)	Cable Tie Used lb (Kg)	Fig. No.	Material Reference (MR)
UL94V-2	UL94V-0					
02-51-30	02-51-30X	.189 (4.8)	.020-.079 (.5-2.0)	18-30 (8.2-13.6)	1	05
02-51-40	—	.250 (6.4)	.047-.109 (1.19-2.77)	18-50 (8.2-22.7)	2	12
02-51-50	—	.250 (6.4)	.125(max) (3.1)	18-50 (8.2-22.7)	3	12
02-52-50	—	.250-.276 (6.4-7.0)	.031-.276 (.8-7.0)	18-50 (8.2-22.7)	4	13

10 SERIES

- Cable tie installation tools

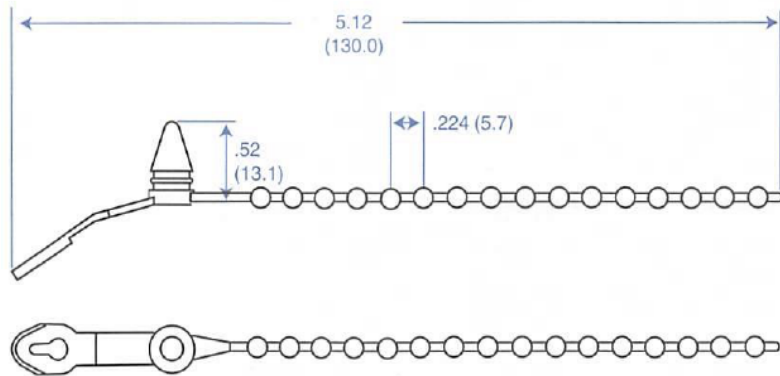


ITEM NO.	Description	Fig. No.
02-10-10	Metal Tool: Durable model for use with .100 (2.5) wide through .187 (4.7) wide cable ties (18#-50# tensile)	1
02-10-20	Plastic Tool: Economy model for use with .100 (2.5) wide through .187 (4.7) wide cable ties (18#-50# tensile)	2
02-10-30	Metal Tool: For use with .300 (7.6) wide and greater cable ties (120# & up tensile)	3
02-10-40	Plastic Tool: Lightweight Model for use with .100 (2.5) wide through .187 (4.7) wide cable ties (18#-50# tensile)	4
02-10-50	Metal Tool: Heavy duty with cutoff lever for use with .300 wide through .350 wide cable ties (120#-175# tensile).	5



### 15 SERIES

- Push button cable tie
- Releasable



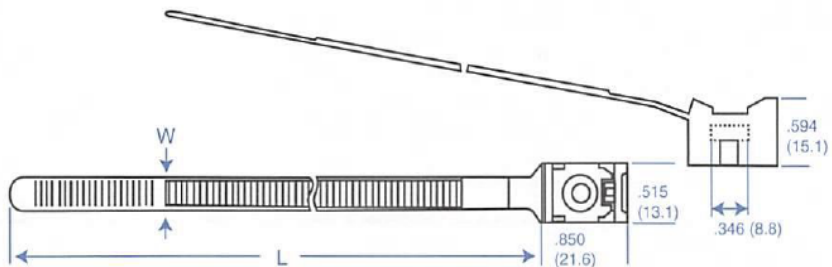
MATERIAL	NYLON 66
UL RATING	94V-2
UL FILE NO.	R70062
COLOR	RED
ASTM	D 4066, PA111
RoHS COMPLIANCE	YES
TEMPERATURE RANGE (REF.)	-40 to 185°F (-40 to 85°C)
MR NUMBER	13

ITEM NO.	Mounting Hole Dia. inches (mm)	Chassis Thickness inches (mm)	Bundle Range Dia. inches (mm)
02-15-300	.250 (6.4)	.032-.125 (.8-3.2)	.30-1.38 (7.7-35.0)

PACKAGING: 1000/bag

### 16 SERIES

- Saddle mount cable tie



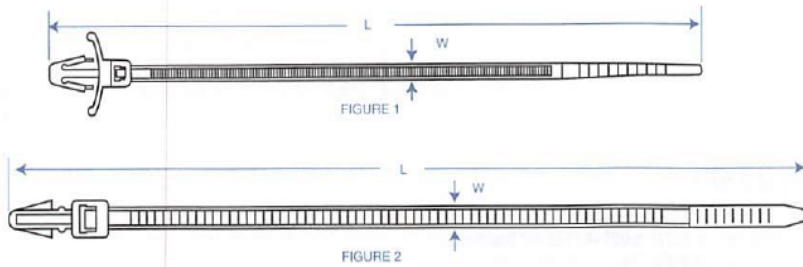
MATERIAL	NYLON 66
UL RATING	94V-2
UL FILE NO.	R70062
COLOR	NATURAL
ASTM	D 4066, PA111
RoHS COMPLIANCE	YES
TEMPERATURE RANGE (REF.)	-40 to 185°F (-40 to 85°C)
MR NUMBER	13

ITEM NO.	L (Ref) inches (mm)	W (Ref) inches (mm)	Max Bundle Dia. inches (mm)	Mounting Screw
02-16-150-N	5.7 (144.8)	.275 (7.0)	1.38 (35.0)	#8 (M4)

PACKAGING: 100/bag



## 18 SERIES



- Arrowhead mount cable ties



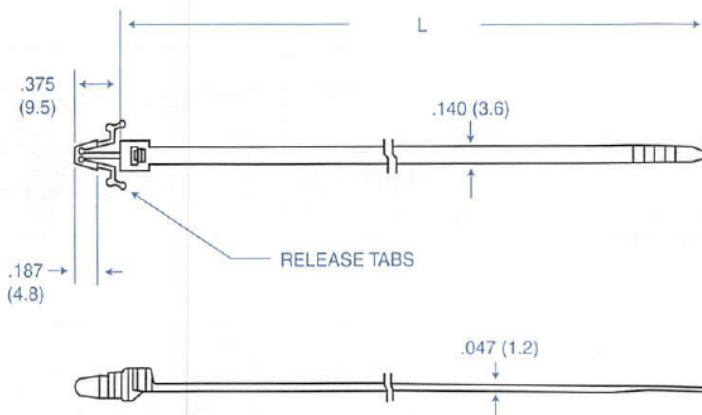
MATERIAL	NYLON 66
UL RATING	94V-2
UL FILE NO.	R70062
COLOR	NATURAL
ASTM	D 4066, PA111
RoHS COMPLIANCE	YES
TEMPERATURE RANGE (REF.)	-40 to 185°F (-40 to 85°C)
MR NUMBER	13

MATERIAL	NYLON 66 UV STABLE
UL RATING	94V-2
UL FILE NO.	R70062
COLOR	BLACK
ASTM	D 4066, PA111
RoHS COMPLIANCE	YES
TEMPERATURE RANGE (REF.)	-40 to 185°F (-40 to 85°C)
MR NUMBER	14

ITEM NO.		Approx Length		Approx Width		Tensile Strength (lbs.)	Mounting Hole Dia. (inches (mm))	Chassis Thickness		Fig. No.
Natural	Black	inches (mm)	inches (mm)	inches (mm)	inches (mm)			inches (mm)		
02-18-418W-N	02-18-418W-UVB	4.37 (112.0)	.098 (2.5)	18 lbs.	.187 (4.8)	.062-.093 (1.5-2.3)	1			
02-18-550W-N	02-18-550W-UVB	5.2 (132.0)	.187 (4.8)	50 lbs.	.250 (6.4)	.062-.125 (1.5-3.2)				
02-18-640W-N	02-18-640W-UVB	6.0 (155.0)	.140 (3.5)	40 lbs.	.187 (4.8)	.062 (1.5)				
02-18-850W-N	02-18-850W-UVB	8.0 (203.0)	.187 (4.8)	50 lbs.	.250 (6.4)	.062-.093 (1.5-2.3)				
02-18-550-N	02-18-550-UVB	5.2 (132.5)	.187 (4.8)	50 lbs.	.250 (6.4)	.062-.125 (1.5-3.2)	2			
02-18-550S-N	02-18-550S-UVB	5.2 (132.5)	.187 (4.8)	50 lbs.	.187 (4.8)	.062-.093 (1.5-2.3)				
02-18-640-N	02-18-640-UVB	6.5 (165.0)	.140 (3.5)	40 lbs.	.187 (4.8)	.062-.125 (1.5-3.2)				
02-18-850-N	02-18-850-UVB	8.0 (203.0)	.187 (4.8)	50 lbs.	.250 (6.4)	.062-.125 (1.5-3.2)				
02-18-850S-N	02-18-850S-UVB	8.0 (203.0)	.183 (4.65)	50 lbs.	.187 (4.8)	.062-.093 (1.5-2.3)				

PACKAGING: 1000/bag

## 14 SERIES



- Pinch release arrowhead tie
- Allows for quick and easy removal from board/chassis



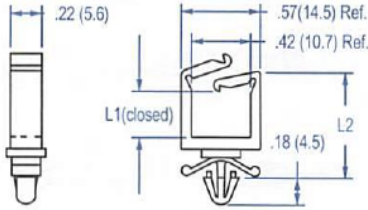
MATERIAL	NYLON 66
UL RATING	94V-2
UL FILE NO.	R70062
COLOR	NATURAL
ASTM	D 4066, PA111
RoHS COMPLIANCE	YES
TEMPERATURE RANGE (REF.)	-40 to 185°F (-40 to 85°C)
MR NUMBER	13

ITEM NO. UL94V-2	Max Bundle Diameter (inches (mm))	Approx Length (L) (inches (mm))	Tensile Strength (lbs.)	Mounting Hole Dia. (inches (mm))	Panel/Chassis Thickness (inches (mm))
02-14-530-N	1.00 (25.4)	4.75 (120.7)	30 lbs.	.187 (4.8)	.079-.094 (2.0-2.4)

PACKAGING: 1000/bag



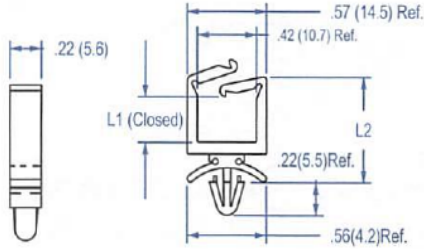
**00 SERIES**



**03-00**

To LOCK in a .187 ±.003 (4.75±0.08) Dia. hole, .015 to .090 (0.38 - 2.28) panel thickness

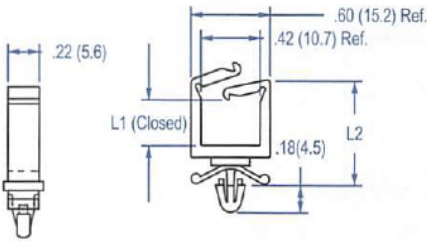
ITEM NO.	L1 (Reference)		L2	
	In	mm	±.015 (0.38)	In mm
03-00-10	.19	4.8	.72	18.3
03-00-20	.37	9.3	.87	22.2
03-00-30	.73	18.6	1.22	31
03-00-40	1.04	26.6	1.53	38.8



**03-00A**

To LOCK in a .187 ±.003 (4.75±0.08) Dia. hole, 1/16 (1.6) panel thickness

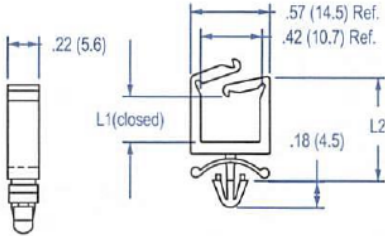
ITEM NO.	L1 (Reference)		L2	
	In	mm	±.015 (0.38)	In mm
03-00A-10	.19	4.8	.72	18.3
03-00A-20	.37	9.3	.87	22.2
03-00A-30	.73	18.6	1.22	31
03-00A-40	1.04	26.6	1.53	38.8



**03-00-1**

To LOCK in a .156 ±.003 (4 ± 0.08) dia. hole, .015-.090 (.38-2.28) panel thickness

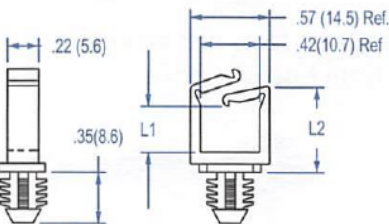
ITEM NO.	L1 (Reference)		L2	
	In	mm	±.015 (0.38)	In mm
03-00-1-10	.19	4.8	.72	18.3
03-00-1-20	.37	9.3	.87	22.2
03-00-1-30	.73	18.6	1.22	31
03-00-1-40	1.04	26.6	1.53	38.8



**03-00-2**

To LOCK in A .187 ±.003 (4.75 ± 0.08) Dia hole, .060 to .125 (1.6 - 3.18) panel thickness

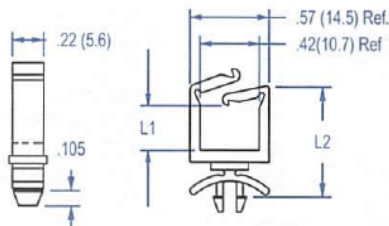
ITEM NO.	L1 (Reference)		L2	
	In	mm	±.015 (0.38)	In mm
03-00-2-10	.19	4.8	.72	18.3
03-00-2-20	.37	9.3	.87	22.2
03-00-2-30	.73	18.6	1.22	31
03-00-2-40	1.04	26.6	1.53	38.8



**03-00-3**

To PRESS FIT in .312 ±.003 (7.9 ± 0.08) Dia. hole, .25 (6.35) minimum panel thickness

ITEM NO.	L1 (Reference)		L2	
	In	mm	±.015 (0.38)	In mm
03-00-3-10	.19	4.8	.56	14.3
03-00-3-20	.37	9.3	.72	18.3
03-00-3-30	.73	18.6	1.06	26.9
03-00-3-40	1.04	26.6	1.40	35.6



**03-00-4**

To LOCK in a .187 ±.003 (4.75±0.08) Dia. hole, 1/16 (1.6) panel thickness

ITEM NO.	L1 (Reference)		L2	
	In	mm	±.015 (0.38)	In mm
03-00-4-10	.19	4.8	.72	18.3
03-00-4-20	.37	9.3	.87	22.2
03-00-4-30	.73	18.6	1.22	31
03-00-4-40	1.04	26.6	1.53	38.8

MATERIAL	NYLON 66	NYLON 66 RATED UL94V-0 AVAILABLE UPON REQUEST TO ORDER ADD SUFFIX "X" TO PART NUMBER
UL RATING	94V-2	
UL FILE NO.	R70062	
COLOR	NATURAL	
ASTM	D 4066, PA111	
RoHS COMPLIANCE	YES	
TEMPERATURE RANGE (REF.)	-40 to 185°F (-40 to 85°C)	
MR NUMBER	01	

PACKAGING: 500/bag



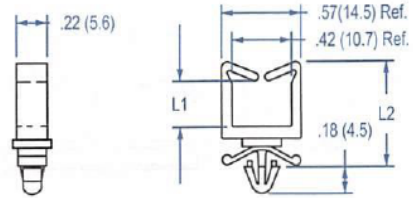
Get quote >>

## 01 SERIES

ITEM NO.	L1 (Reference)		L2 ±.015 (0.38)	
	In	mm	In	mm
03-01-10	.17	4.3	.63	18.3
03-01-20	.37	9.5	.83	22.2
03-01-30	.72	18.3	1.10	28
03-01-40	1.04	26.4	1.53	38.8

### 03-01

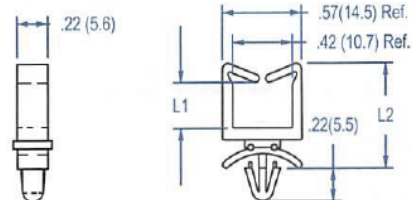
To LOCK in a .187 ±.003 (4.75±0.08) Dia. hole,  
.015 to .090 (.38 - 2.28) panel thickness



ITEM NO.	L1 (Reference)		L2 ±.015 (0.38)	
	In	mm	In	mm
03-01A-10	.17	4.3	.63	18.3
03-01A-20	.37	9.5	.83	22.2
03-01A-30	.72	18.3	1.10	28
03-01A-40	1.04	26.4	1.53	38.8

### 03-01A

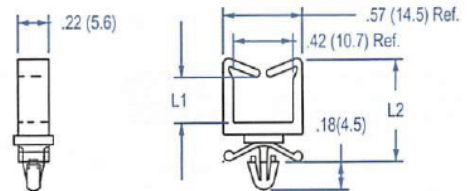
To LOCK in a .187 ±.003 (4.75±0.08) Dia. hole,  
1/16 (1.6) panel thickness



ITEM NO.	L1 (Reference)		L2 ±.015 (0.38)	
	In	mm	In	mm
03-01-1-10	.17	4.3	.72	18.3
03-01-1-20	.37	9.5	.87	22.2
03-01-1-30	.72	18.3	1.10	28
03-01-1-40	1.04	26.4	1.53	38.8

### 03-01-1

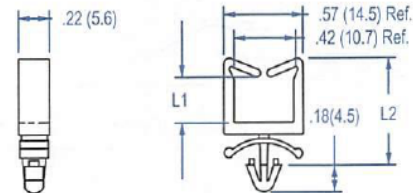
To LOCK in a .156 ±.003 (4 ± 0.08) dia. hole,  
.015 To .090 (.38 - 2.28) panel thickness



ITEM NO.	L1 (Reference)		L2 ±.015 (0.38)	
	In	mm	In	mm
03-01-2-10	.17	4.3	.72	18.3
03-01-2-20	.37	9.5	.87	22.2
03-01-2-30	.72	18.3	1.10	28
03-01-2-40	1.04	26.4	1.53	38.8

### 03-01-2

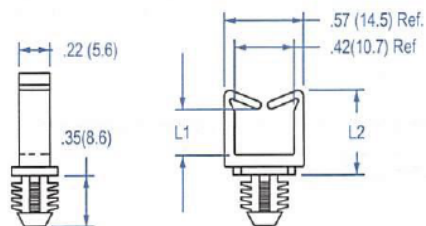
To LOCK in A .187 ±.003 (4.75 ± 0.08) Dia hole,  
.060 to .125 (1.6 - 3.18) panel thickness



ITEM NO.	L1 (Reference)		L2 ±.015 (0.38)	
	In	mm	In	mm
03-01-3-10	.17	4.3	.48	12.3
03-01-3-20	.37	9.5	.68	17.3
03-01-3-30	.72	18.3	1.04	26.4
03-01-3-40	1.04	26.4	1.35	34.3

### 03-01-3

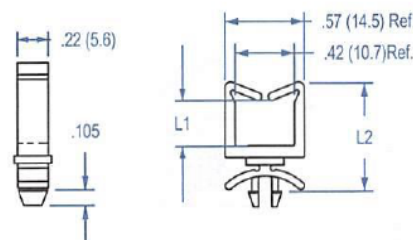
Hole Dia = .312 ±.003 (7.9 ± 0.08) press fit  
Minimum panel thickness .25(6.35)



ITEM NO.	L1 (Reference)		L2 ±.015 (0.38)	
	In	mm	In	mm
03-01-4-10	.17	4.3	.72	18.3
03-01-4-20	.37	9.5	.87	22.2
03-01-4-30	.72	18.3	1.10	28
03-01-4-40	1.04	26.4	1.53	38.8

### 03-01-4

Hole Dia = .187 ±.003 (4.75±0.08)  
Panel thickness = 1/16 (1.6)



PACKAGING: 500/bag

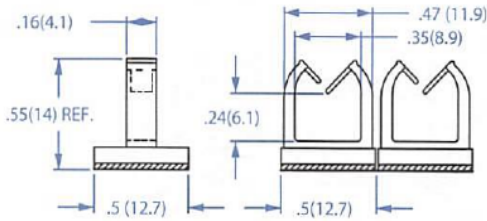
MATERIAL  
UL RATING  
UL FILE NO.  
COLOR  
ASTM  
RoHS COMPLIANCE  
TEMPERATURE RANGE (REF.)  
MR NUMBER

NYLON 66  
94V-2  
R70062  
NATURAL  
D 4066, PA111  
YES  
-40 to 185°F (-40 to 85°C)  
01

Nylon 66 rated UL94V-0 available upon request.  
To order add suffix X to part number

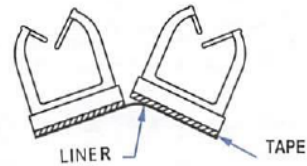


40 SERIES



03-40-508

SUPPLIED TWO-UP.  
PEEL-OFF ONE PART TO EXPOSE ADHESIVE.  
PULL LINER TO EXPOSE ADHESIVE ON THE OTHER PART.



MATERIAL REF. : MR-23  
ADHESIVE REF. : MR-10  
PACKAGING: 1000/bag

18 SERIES

FIGURE 1  
03-18-A

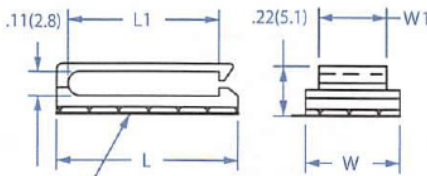
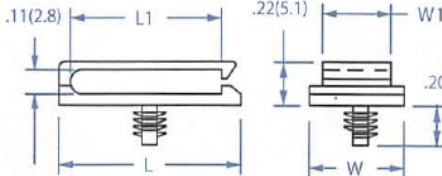


FIGURE 2  
03-18



Press fits in .156 (4) Ø Hole, .04 -.160(1 - 4) thick material

DOUBLE ADHESIVE TAPE FOR 03-18A	
ADHESIVE	RUBBER
CARRIER	POLYETHYLENE
THICKNESS	1/32
COLOR	WHITE
UL FILE NO.	MH15436
RoHS COMPLIANCE	YES
TEMP. RANGE REF.	32 to 167°F (0 to 75 °C)
MR NUMBER	10

TAPE

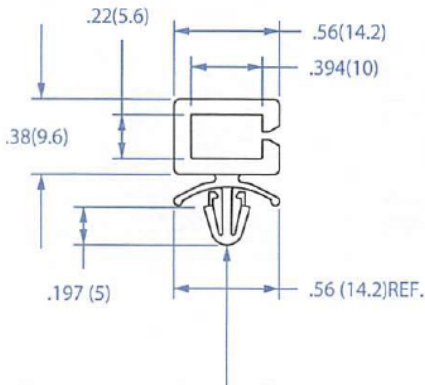


P/N 03-18-108A, -308A, 408A  
SUPPLIED 2 UP.

FIG 1 ITEM NO.	FIG 2 ITEM NO.	L		L1		W		W1		MR No. (material ref.)
		In.	mm	In.	mm	In.	mm	In.	mm	
03-18-108		.50	12.7	.330	8.3	.375	9.5	.250	6.35	MR-12
	03-18-208	.50	12.7	.330	8.3	.375	9.5	.250	6.35	MR-01
03-18-308A	03-18-308	.67	17	.50	12.7	.375	9.5	.30	7.6	MR-01
03-18-408A	03-18-408	.96	24.4	.79	20	.50	12.7	.37	9.4	MR-01

PACKAGING: 500/bag

02 SERIES



03-02

FITS A .189 ±.003 (4.8±0.08) DIA. HOLE,  
.020 TO .078 (0.5 TO 2.0) PANEL THICKNES

MATERIAL	NYLON 66
UL RATING	94V-2
UL FILE NO.	E53664
COLOR	NATURAL
ASTM	D 4066, PA111
RoHS COMPLIANCE	YES
TEMPERATURE RANGE (REF.)	-40 to 185°F (-40 to 85°C)
MR NUMBER	05

ALL ABOVE PARTS ARE AVAILABLE IN NYLON 66, RATED UL94V-0 ON REQUEST.  
TO ORDER ADD SUFFIX "X" TO PART NUMBER



## 03 SERIES

FIGURE 1

**03-03**

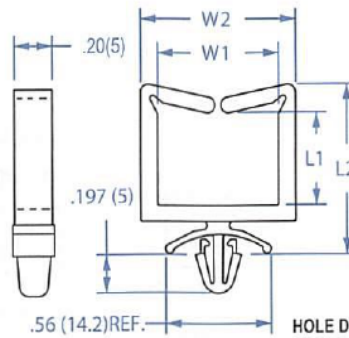
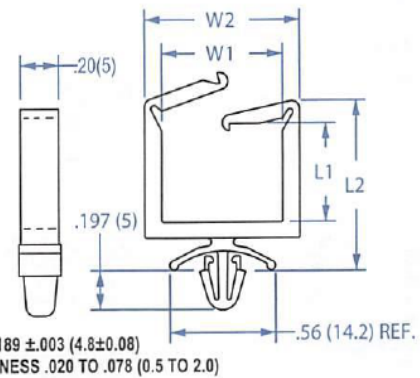


FIGURE 2

**03-03L**



MATERIAL: NYLON 66  
 UL RATING: 94V-2  
 UL FILE NO.: E53664  
 COLOR: NATURAL  
 ASTM: D 4066  
 RoHS COMPLIANCE: YES  
 TEMP. RANGE (REF.): -40 to 185°F (-40 to 85°C)  
 MR NUMBER: 05

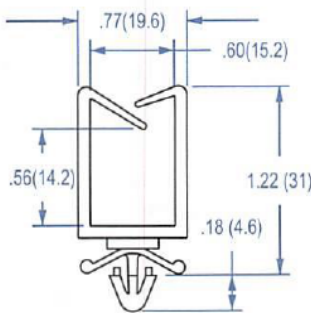
Nylon 66 rated UL94V-0 available on request.  
 To order add suffix "X" to part number

ITEM NO.	L1		L2		W1		W2		FIG.
	In.	mm	In.	mm	In.	mm	In.	mm	
03-03-20	.42	10.6	.85	21.5	.64	16.2	.83	21	1
03-03-40	1.16	29.8	1.46	37	.68	17.3	.84	21.3	1
03-03-20L	.50	12.7	.85	21.5	.64	16.2	.83	21	2

PACKAGING: 500pcs/bag

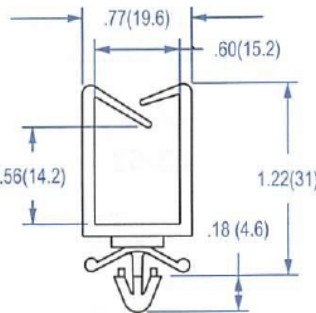
## 08 SERIES

**03-08-20**



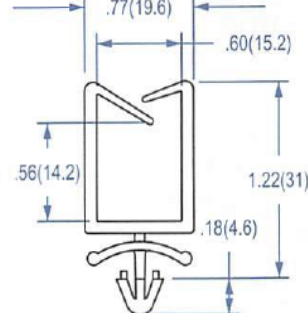
HOLE DIA. = .187 ± 0.003 (4.75 ± 0.08)  
 MT'L = .015 TO .090 (.38 - 2.28) THICK

**03-08-1-20**



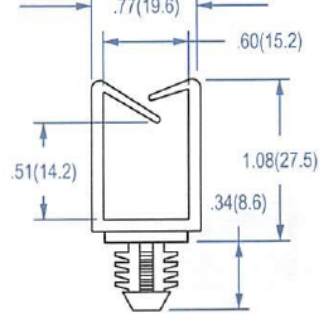
HOLE DIA. = .156 ± 0.003 (4 ± 0.08)  
 MT'L = .015 TO .090 (.38 - 2.28) THICK

**03-08-2-20**



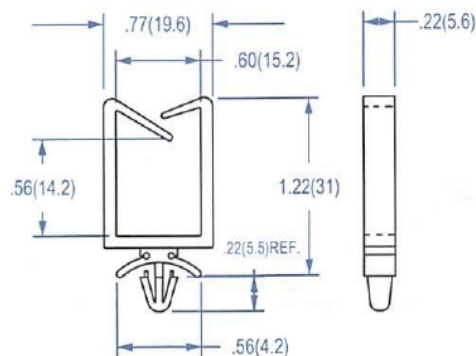
HOLE DIA. = .187 ± 0.003 (4.75 ± 0.08)  
 MT'L = .060 TO .125 (1.6 - 3.18) THICK

**03-08-3-20**



TO PRESS FIT IN A  
 .312 ± 0.003 (7.9 ± 0.08) DIA. HOLE,  
 .25 (6.35) MIN. THICK MATERIAL

**03-08A-2-20**



TO LOCK IN A .187 ± 0.003 (4.75 ± 0.08)  
 DIA. HOLE, 1/16 (1.6) BOARD THICKNESS

MATERIAL: NYLON 66  
 UL RATING: 94V-2  
 UL FILE NO.: R70062  
 COLOR: NATURAL  
 ASTM: D 4066, PA111  
 RoHS COMPLIANCE: YES  
 TEMPERATURE RANGE (REF.): -40 to 185°F (-40 to 85°C)  
 MR NUMBER: 01

NYLON 66 RATED UL94V-0 AVAILABLE ON REQUEST.  
 TO ORDER ADD SUFFIX "X" TO PART NUMBER

PACKAGING: 500pcs/bag

11 SERIES  
22 SERIES  
53 SERIES

- Micro wire saddles
- 03-11 series (tension mount)

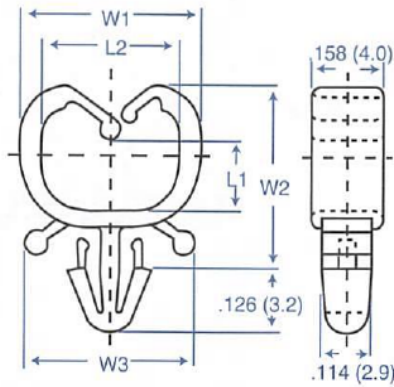


FIGURE 1  
03-11

MATERIAL	NYLON 66
UL RATING	94V-2
UL FILE NO.	E53664
COLOR	NATURAL
ASTM	D 4066, PA111
RoHS COMPLIANCE	YES
TEMPERATURE RANGE (REF.)	-40 to 185°F (-40 to 85°C)
MR NUMBER	05

PACKAGING: 500/bag

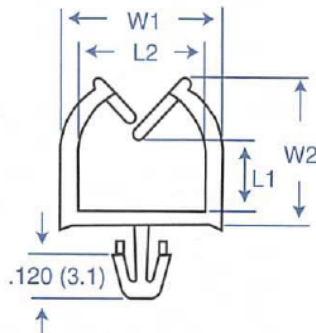


FIGURE 2  
03-22

MATERIAL	NYLON 66
UL RATING	94V-2
UL FILE NO.	R70062
COLOR	NATURAL
ASTM	D 4066, PA111
RoHS COMPLIANCE	YES
TEMPERATURE RANGE (REF.)	-40 to 185°F (-40 to 85°C)
MR NUMBER	01

PACKAGING: 1000/bag

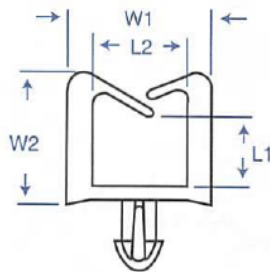


FIGURE 3  
03-53

MATERIAL	NYLON 66
UL RATING	94V-2
UL FILE NO.	E41938
COLOR	NATURAL
ASTM	D 4066, PA111
RoHS COMPLIANCE	YES
TEMPERATURE RANGE (REF.)	-40 to 185°F (-40 to 85°C)
MR NUMBER	12

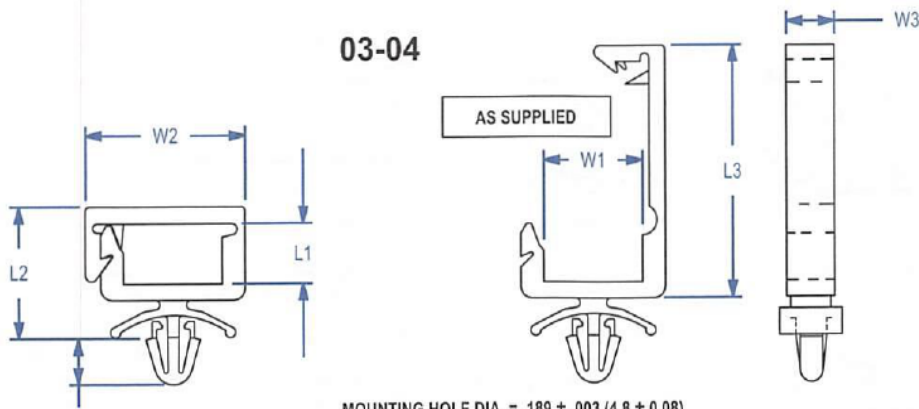
PACKAGING: 1000/bag

ITEM NO.		L <sub>1</sub> (Ref)		L <sub>2</sub> (Ref)		W <sub>1</sub>		W <sub>2</sub>		W <sub>3</sub>		Mounting Hole Diam. inches (mm)	Panel Thickness inches (mm)	Fig. No.
UL94V-2	UL94V-0	inches	(mm)	inches	(mm)	inches	(mm)	inches	(mm)	inches	(mm)			
03-11-10	03-11-10X	.145	(3.7)	.291	(7.4)	.386	(9.8)	.366	(9.3)	.362	(9.2)	.118 (3.0)	.024-.063	1
03-11-40	03-11-40X	.331	(8.4)			.473	(12.0)	.504	(12.8)	.465	(11.8)	.138 (3.5)	(.6-1.6)	
03-22-20	03-22-20X	.160	(4.1)	.320	(8.1)	.420	(10.7)	.360	(9.1)			.138 (3.5)	.024-.063	2
03-22-40	03-22-40X	.300	(7.6)	.360	(9.1)	.470	(11.9)	.510	(13.0)			(.6-1.6)		
03-53-10	—	.120	(3.0)	.170	(4.3)	.270	(6.9)	.240	(6.1)			.070 (1.8)	.062 (1.6)	3



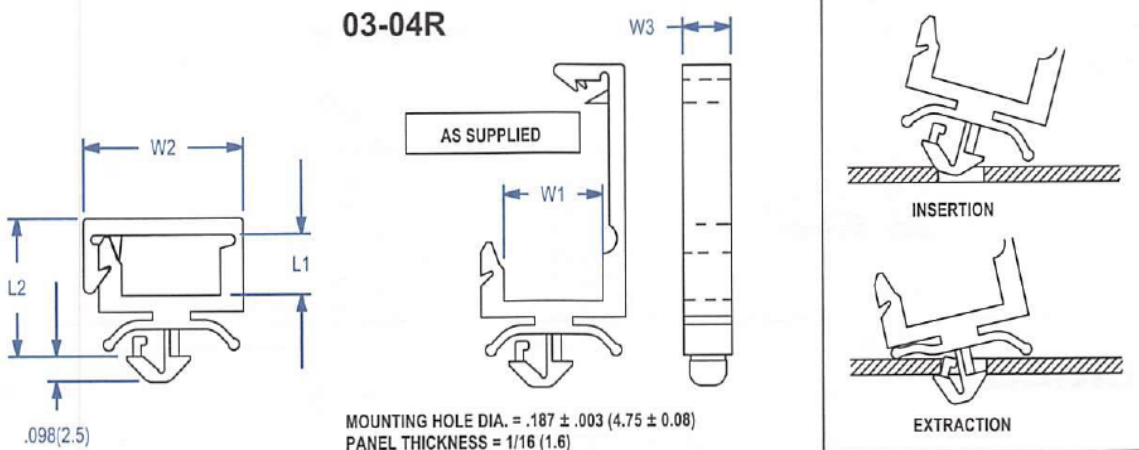
Get quote >>

## 04 SERIES



ITEM NO	L1		L2		L3		W1		W2		W3	
	Inches	mm	Inches	mm	Inches	mm	Inches	mm	Inches	mm	Inches	mm
03-04-10	.236	6	.543	13.8	1.17	29.6	.433	11	.657	16.7	.197	5.0
03-04-20	.433	11	.740	18.8	1.36	34.6	.433	11	.657	16.7		
03-04-30	.669	17	.976	24.8	1.67	42.5	.520	13.2	.748	19	.217	5.5
03-04-40	.906	23	1.26	32.1	2.18	55.3	.709	18	.965	24.5		
03-04-41	.906	23	1.31	33.3	2.22	56.5	.709	18	.965	24.5	.236	6.0

PACKAGING: 500/bag



ITEM NO	L1		L2		W1		W2		W3	
	Inches	mm	Inches	mm	Inches	mm	Inches	mm	Inches	mm
03-04R-10	.236	6	.540	13.7	.433	11	.657	16.7	.196	5
03-04R-20	.437	11.1	.736	18.7	.449	11.4	.681	17.3	.196	5
03-04R-30	.645	16.4	.972	24.7	.507	12.9	.748	19	.216	5.5
03-04R-40	.885	22.5	1.25	32	.689	17.5	.964	24.5	.236	6

PACKAGING: 500/bag

MATERIAL	NYLON 66	Nylon 66 rated UL94V-0 available on request. To order add suffix "X" to part number
UL RATING	94V-2	
UL FILE NO.	E53664	
COLOR	NATURAL	
ASTM	D 4066	
RoHS COMPLIANCE	YES	
TEMPERATURE RANGE (REF.)	-40 to 185°F (-40 to 85°C)	
MR NUMBER	05	



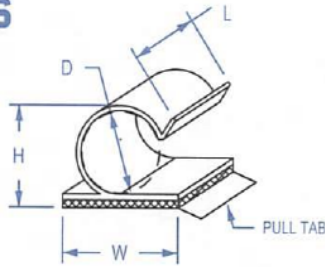
Get quote »

Angic Global Solutions

1-888-872-0690

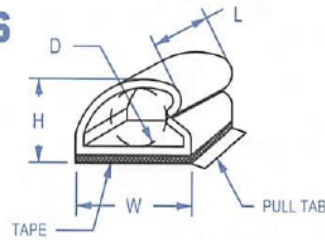
<https://www.AngicGlobal.com> Sales@AngicGlobal.com

**27 SERIES**



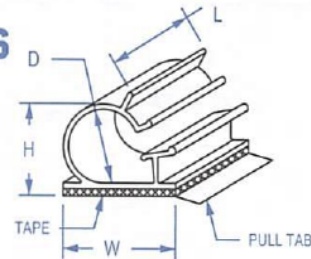
ITEM NO.	D Max Hold Dia.		L		W		H REF.		PACKAGING pcs./ bag
	IN	mm	±.030 IN	(0.76) mm	±.020 IN	(0.5) mm	IN	mm	
03-27-208	1/8	(3.2)	.75	(19.1)	.75	(19.1)	.25	6.35	500
03-27-408	1/4	(6.3)					.42	10.7	500
03-27-608	3/8	(9.5)	1.00	(25.4)	1.00	(25.4)	.50	12.7	500
03-27-808	1/2	(12.7)					.65	16.5	500
03-27-1208	3/4	(19.1)					.87	22	100

**28 SERIES**



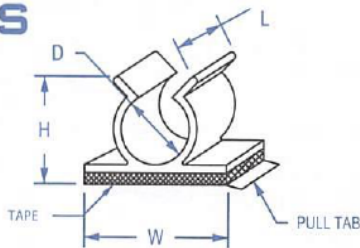
ITEM NO.	D Max Hold Dia.		L		W		H REF.		PACKAGING pcs./ bag
	IN	mm	±.030 IN	(0.76) mm	±.020 IN	(0.5) mm	IN	mm	
03-28-408	1/4	6.3	.50	12.5	.50	12.5	.35	8.9	500
03-28-808	1/2	12.7	.750	19.1	.750	19.1	.44	11.2	500
03-28-1208	3/4	19.1	1.12	28.6	1.12	28.6	.72	18.2	250
03-28-1608	1.0	25.4	1.50	38.1	1.50	38.1	1.3	33	100

**31 SERIES**



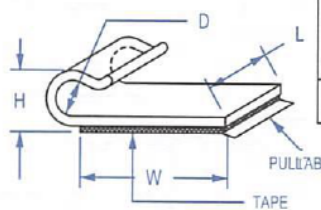
ITEM NO.	D Max Hold Dia.		L		W		H REF.		PACKAGING pcs./ bag
	IN	mm	±.03 IN	0.76 mm	±.02 IN	0.5 mm	IN	mm	
03-31-408	1/4	6.35	.75	19.1	.75	19.1	.60	15.2	500
03-31-808	1/2	12.7	1.0	25.4	1.0	25.4	.82	20.8	500
03-31-1208	3/4	19.1	1.0	25.4	1.0	25.4	1.0	25.4	250

**32 SERIES**



ITEM NO.	D Max Hold DIA.		L		W		H (REF.)		PACKAGING pcs / bag
	IN.	mm	±.030 IN	(0.76) mm	±.020 IN	(0.5) mm	IN	mm	
03-32-208	1/8	(3.2)	.75	(19.1)	.75	(19.1)	.28	(7.1)	500
03-32-408	1/4	(6.3)					.44	(11.7)	500
03-32-608	3/8	(9.5)					.54	(13.5)	500
03-32-808	1/2	(12.7)	1.00	(25.4)	1.00	(25.4)	.66	(16.7)	500
03-32-1208	3/4	(19.1)					.90	(23)	250

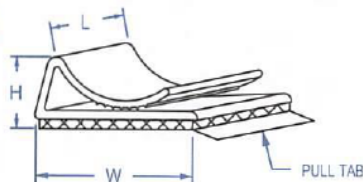
**57 SERIES**



ITEM NO.	D Max Hold Dia		L		W		H REF.		PACKAGING pcs./ bag
	IN.	mm	±.03 IN	0.76 mm	±.02 IN	0.5 mm	IN.	mm	
03-57-308	13/16	4.76	1 1/4	31.7	.95	24.1	.31	7.87	1000

NOTE: COLOR FOR THIS PART IS CLEAR MATERIAL IS THE SAME AS LISTED.

**07 SERIES**



PART NO	L		W		H REF	PACKAGING pcs / bag
	±.020 IN	(0.5) mm	±.020 IN	(0.50) mm		
03-07-408	.50	(12.7)	1.06	(27)	.43 (10.9)	500
03-07-808	1.0	(25.4)	1.06	(27)	.43 (10.9)	

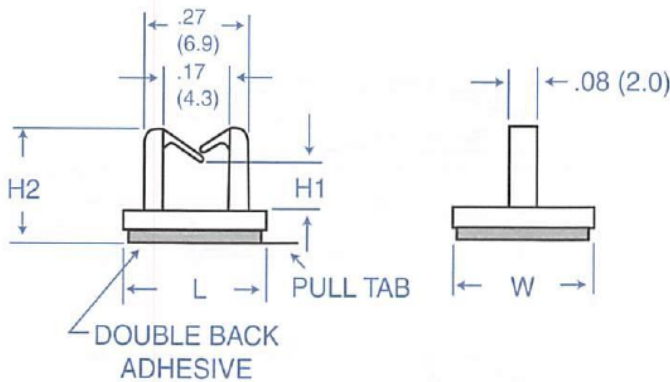
MATERIAL.	PVC, RIGID
COMPOUND	GEON 8700X
COLOR	LIGHT GRAY
UL RATING	94V-O
UL FILE NO.	E-41877
RoHS COMPLIANCE	YES
TEMP. RANGE (REF.)	32 to 120°F (0 to 50°C)
MR NUMBER	09

DOUBLE ADHESIVE TAPE	
ADHESIVE	RUBBER
CARRIER	POLYETHYLENE
THICKNESS	1/32
COLOR	WHITE
UL FILE NO.	MH15436
RoHS COMPLIANCE	YES
TEMPERATURE	32 to 167°F (0 to 75 °C)
MR NUMBER	10



Get quote >>

## 19 SERIES



- Low profile clip (top/funnel entry)
- Adhesive backed base with release tab
- Rubber based adhesive



ITEM NO.		L	W	H <sub>1</sub>	H <sub>2</sub>
UL94V-2	UL94V-0	inches (mm)	inches (mm)	inches (mm)	inches (mm)
03-19-108	03-19-108X	.375 (9.5)	.375 (9.5)	.118 (3.0)	.291 (7.4)

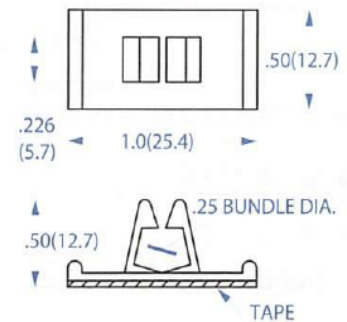
MATERIAL	NYLON 66
UL RATING	94V-2
UL FILE NO.	E53664
COLOR	NATURAL / WHITE
ASTM	D 4066, PA111
RoHS COMPLIANCE	YES
TEMPERATURE RANGE (REF.)	-40 to 185°F (-40 to 85°C)
MR NUMBER	05

PACKAGING: 500/bag

## 34 SERIES

MATERIAL	NYLON 66
UL RATING	94V-2
UL FILE NO.	E41938
COLOR	NATURAL
ASTM	D 4066, PA111
RoHS COMPLIANCE	YES
TEMPERATURE RANGE (REF.)	-40 to 185°F (-40 to 85°C)
MR NUMBER	12

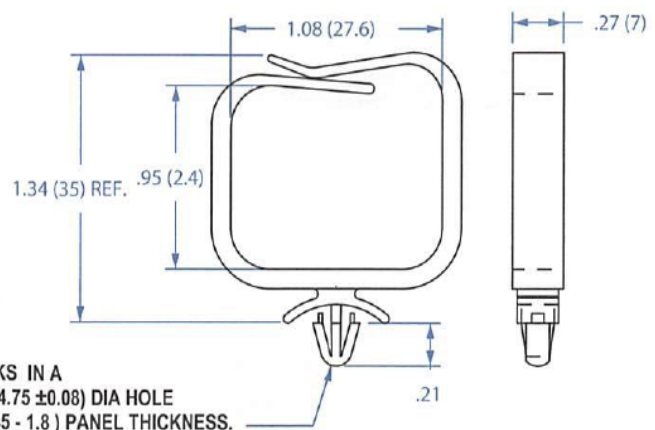
DOUBLE ADHESIVE TAPE	
ADHESIVE	RUBBER
CARRIER	POLYETHYLENE
THICKNESS	1/32
COLOR	WHITE
UL FILE NO.	MH15436
RoHS COMPLIANCE	YES
SERVICE TEMPERATURE	0 to 150°F (-18 to 65 °C)
MR NUMBER	10



PACKAGING: 500/bag supplied 2-up

## 58 SERIES

MATERIAL	NYLON 66
UL RATING	94V-2
UL FILE NO.	R70062
COLOR	NATURAL
ASTM	D 4066, PA111
RoHS COMPLIANCE	YES
TEMPERATURE RANGE (REF.)	-40 to 185°F (-40 to 85°C)
MR NUMBER	13



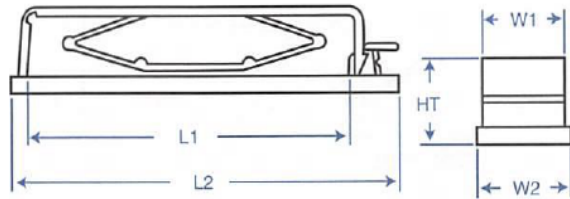
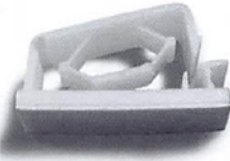
SNAP LOCKS IN A  
 .187 ± .003 (4.75 ± 0.08) DIA HOLE  
 .03 - .078 (0.45 - 1.8) PANEL THICKNESS.

PACKAGING: 1000/bag



**25 SERIES**

- Tension cable clamp
- Rubber based adhesive

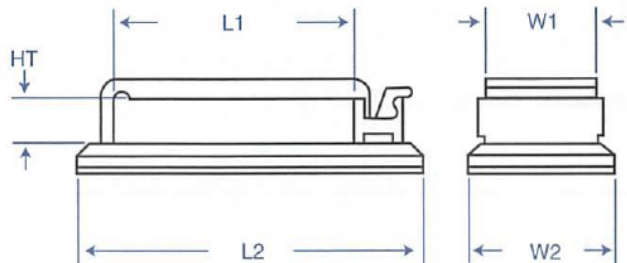


MATERIAL	NYLON 66
UL RATING	94V-2
UL FILE NO.	R70062
COLOR	NATURAL
ASTM	D 4066, PA111
RoHS COMPLIANCE	YES
TEMPERATURE RANGE (REF.)	-40 to 185°F (-40 to 85°C)
MR NUMBER	13

ITEM NO. UL94V-2	L <sub>1</sub>		L <sub>2</sub>		W <sub>1</sub>		W <sub>2</sub>		HT	Cable Type	Pack Size
	inches	(mm)	inches	(mm)	inches	(mm)	inches	(mm)			
03-25-30	1.25	(31.8)	1.78	(45.1)	.630	(16.0)	.728	(18.5)	.641	(16.3)	100/bag
03-25-40	2.13	(54.0)	2.64	(67.0)	.472	(12.0)	.618	(15.7)	.641	(16.3)	
03-25-50	2.56	(65.0)	3.09	(78.4)	.622	(15.8)	.732	(18.6)	.641	(16.3)	

**26 SERIES**

- Flat cable clamp
- Rubber based adhesive

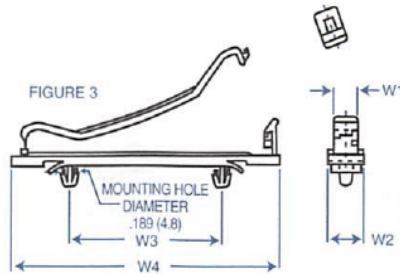
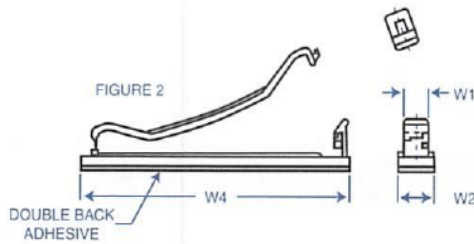
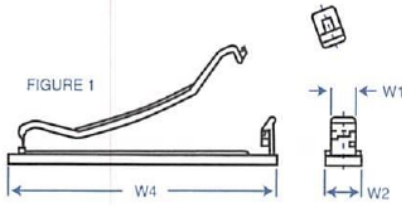


MATERIAL	NYLON 66
UL RATING	94V-2
UL FILE NO.	R70062
COLOR	NATURAL
ASTM	D 4066, PA111
RoHS COMPLIANCE	YES
TEMPERATURE RANGE (REF.)	-40 to 185°F (-40 to 85°C)
MR NUMBER	13

ITEM NO. UL94V-2	L <sub>1</sub>		L <sub>2</sub>		W <sub>1</sub>		W <sub>2</sub>		HT	Pack Size	
	inches	(mm)	inches	(mm)	inches	(mm)	inches	(mm)			
03-26-30	1.26	(32.0)	1.80	(45.7)	.587	(14.9)	.780	(19.8)	.244	(6.2)	100/bag
03-26-40	1.56	(39.6)	2.10	(53.3)	.583	(14.8)	.756	(19.2)	.244	(6.2)	
03-26-50	2.50	(63.5)	3.05	(77.5)	.587	(14.9)	.780	(19.8)	.236	(6.0)	



## 09 SERIES



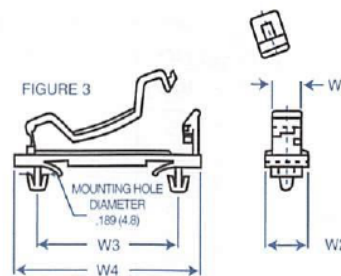
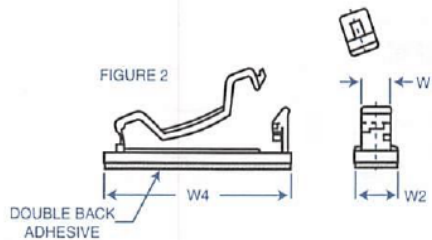
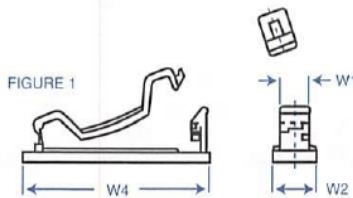
- Routes up to four flat cables
- Latch clip lock secures flat cable
- Three styles available

ITEM NO.	W1 inches (mm)	W2 inches (mm)	W3 inches (mm)	W4 inches (mm)	Panel Thickness inches (mm)	Figure No.
03-09-301	.315 (8.0)	.472 (12.0)		3.44 (87.5)		1
03-09-3018						2
03-09-302			1.97 (50.0)		.032-.063 (.8-1.6)	3

MATERIAL REFERENCE NO: 05

PACKAGING: 50/bag

## 10 SERIES



- Routes up to four flat cables
- Latch clip lock secures flat cable
- Three styles available

ITEM NO.	W1 inches (mm)	W2 inches (mm)	W3 inches (mm)	W4 inches (mm)	Panel Thickness inches (mm)	Figure No.
03-10-401	.315 (8.0)	.472 (12.0)		2.07 (52.5)		1
03-10-4018						2
03-10-402			1.57 (40.0)		.032-.063 (.8-1.6)	3

PACKAGING: 100/bag

### 09 & 10 SERIES

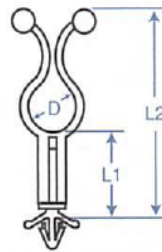
MATERIAL	NYLON 66
UL RATING	94V-2
UL FILE NO.	E53664
COLOR	NATURAL
ASTM	D 4066, PA111
RoHS COMPLIANCE	YES
TEMPERATURE RANGE (REF.)	-40 to 185°F (-40 to 85°C)
MR NUMBER	05



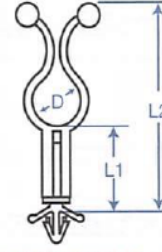
Get quote »

**35 SERIES**

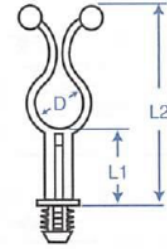
- Route and secure wire or bundles with a simple twist
- Arrowhead snap locks easily into boards
- Lifts wires off board away from panels, moving parts or hot components



TO SNAP LOCK IN A .187 (4.8) DIA HOLE IN A 1/16" (1.6) NOMINAL THICK PANEL/BOARD (03-XX-SERIES)



TO SNAP LOCK IN A .156 (4.0) DIA HOLE IN A 1/16" (1.6) NOMINAL THICK PANEL/BOARD (03-XX-1-SERIES)



TO PRESS-FIT IN A .312 (7.9) DIA HOLE IN A .250 (6.4) MIN. PANEL THICKNESS (03-XX-3-SERIES)

MATERIAL	NYLON 66
UL RATING	94V-2
UL FILE NO.	R70062
COLOR	NATURAL
ASTM	D 4066, PA111
RoHS COMPLIANCE	YES
TEMPERATURE RANGE (REF.)	-40 to 185°F (-40 to 85°C)
MR NUMBER	01

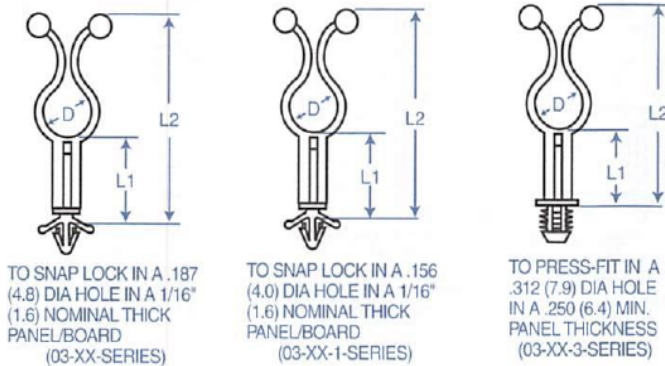
ITEM NO. (.187 hole)	ITEM NO. (.156 Hole)	ITEM NO. (.312 Hole)	L <sub>1</sub> (Ref)		L <sub>2</sub> (Ref)		D Bundle Diameter Range		Pack Size
			inches	(mm)	inches	(mm)	inches	(mm)	
—	—	03-35-3-20	.125	(3.2)	1.22	(31.0)	.400-.480	(10.2-12.2)	1000/bag
03-35-30	03-35-1-30	03-35-3-30	.187	(4.8)	1.28	(32.5)			
03-35-40	03-35-1-40	03-35-3-40	.250	(6.4)	1.35	(34.3)			
03-35-50	03-35-1-50	03-35-3-50	.312	(7.9)	1.41	(35.8)			
03-35-60	03-35-1-60	03-35-3-60	.375	(9.5)	1.47	(37.3)			
03-35-70	03-35-1-70	03-35-3-70	.438	(11.1)	1.53	(39.0)			
03-35-80	03-35-1-80	03-35-3-80	.500	(12.7)	1.60	(40.6)			
03-35-90	03-35-1-90	03-35-3-90	.562	(14.3)	1.66	(42.2)			
03-35-100	03-35-1-100	03-35-3-100	.625	(15.9)	1.72	(43.7)			
03-35-120	03-35-1-120	03-35-3-120	.750	(19.1)	1.85	(47.0)			
03-35-140	03-35-1-140	03-35-3-140	.875	(22.2)	1.97	(50.0)			
03-35-160	03-35-1-160	03-35-3-160	1.00	(25.4)	2.10	(53.3)			
03-35-180	03-35-1-180	03-35-3-180	1.13	(28.7)	2.23	(56.6)			
03-35-200	03-35-1-200	03-35-3-200	1.25	(31.2)	2.35	(59.7)			
03-35-220	03-35-1-220	03-35-3-220	1.38	(35.1)	2.48	(63.0)			
03-35-240	03-35-1-240	03-35-3-240	1.50	(38.1)	2.60	(66.0)			
03-35-260	03-35-1-260	03-35-3-260	1.63	(41.4)	2.73	(69.3)			
03-35-280	03-35-1-280	03-35-3-280	1.75	(44.5)	2.85	(72.4)			
03-35-300	03-35-1-300	03-35-3-300	1.88	(47.8)	2.98	(75.7)			
03-35-320	03-35-1-320	—	2.00	(50.8)	3.10	(78.7)			

\* Add (x) to the end of part number for (V-0) material



## 36 SERIES

- Route and secure wire or bundles with a simple twist
- Arrowhead snap locks easily into boards
- Lifts wires off board away from panels, moving parts or hot components



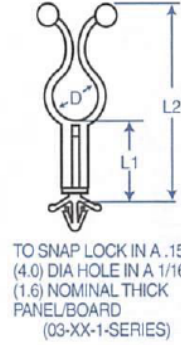
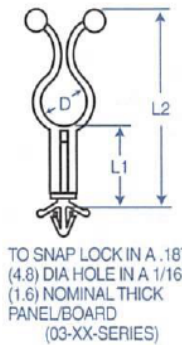
MATERIAL	NYLON 66
UL RATING	94V-2
UL FILE NO.	R70062
COLOR	NATURAL
ASTM	D 4066, PA111
RoHS COMPLIANCE	YES
TEMPERATURE RANGE (REF.)	-40 to 185°F (-40 to 85°C)
MR NUMBER	01

ITEM NO. (.187 hole)	ITEM NO. (.156 Hole)	ITEM NO. (.312 Hole)	L <sub>1</sub> (Ref)		L <sub>2</sub> (Ref)		D Bundle Diameter Range		Pack Size		
			inches	(mm)	inches	(mm)	inches	(mm)			
—	—	03-36-3-20	.125	(3.2)	1.41	(35.8)	.500-.600	(12.7-15.2)	1000/bag		
03-36-30	03-36-1-30	03-36-3-30	.187	(4.8)	1.47	(37.3)					
03-36-40	03-36-1-40	03-36-3-40	.250	(6.4)	1.54	(39.0)					
03-36-50	03-36-1-50	03-36-3-50	.312	(7.9)	1.60	(40.6)					
03-36-60	03-36-1-60	03-36-3-60	.375	(9.5)	1.66	(42.2)					
03-36-70	03-36-1-70	03-36-3-70	.438	(11.1)	1.72	(43.7)					
03-36-80	03-36-1-80	03-36-3-80	.500	(12.7)	1.79	(45.5)					
03-36-90	03-36-1-90	03-36-3-90	.562	(14.3)	1.85	(47.0)					
03-36-100	03-36-1-100	03-36-3-100	.625	(15.9)	1.91	(48.5)					
03-36-120	03-36-1-120	03-36-3-120	.750	(19.1)	2.04	(51.8)					
03-36-140	03-36-1-140	03-36-3-140	.875	(22.2)	2.16	(54.9)					
03-36-160	03-36-1-160	03-36-3-160	1.00	(25.4)	2.29	(58.2)					
03-36-180	03-36-1-180	03-36-3-180	1.13	(28.7)	2.42	(61.5)					
03-36-200	03-36-1-200	03-36-3-200	1.25	(31.2)	2.54	(64.5)					
03-36-220	03-36-1-220	03-36-3-220	1.38	(35.1)	2.67	(67.8)					
03-36-240	03-36-1-240	03-36-3-240	1.50	(38.1)	2.79	(70.9)					
03-36-260	03-36-1-260	03-36-3-260	1.63	(41.4)	2.91	(73.9)					
03-36-280	03-36-1-280	03-36-3-280	1.75	(44.5)	3.04	(77.2)					
* Add (x) to end of part number for (V-0) material											



39 SERIES

- Route and secure wire or bundles with a simple twist
- Arrowhead snap locks easily into boards
- Lifts wires off board away from panels, moving parts or hot components



MATERIAL	NYLON 66
UL RATING	94V-2
UL FILE NO.	R70062
COLOR	NATURAL
ASTM	D 4066, PA111
RoHS COMPLIANCE	YES
TEMPERATURE RANGE (REF.)	-40 to 185°F (-40 to 85°C)
MR NUMBER	01

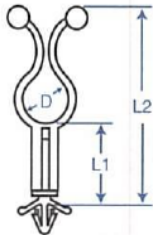
ITEM NO. (.187 Hole)	ITEM NO. (.156 Hole)	ITEM NO. (.312 Hole)	L1 (Ref) Inches (mm)	L2 (Ref) Inches (mm)	D Bundle Dia. Range Inches (mm)	Pack Size
—	—	03-39-3-20	.125 (3.2)	1.12 (28.7)	.300-.400 (7.6-10.2)	1000/bag
03-39-30	03-39-1-30	03-39-3-30	.187 (4.8)	1.18 (29.9)		
03-39-40	03-39-1-40	03-39-3-40	.250 (6.4)	1.25 (31.2)		
03-39-50	03-39-1-50	03-39-3-50	.312 (7.9)	1.31 (33.3)		
03-39-60	03-39-1-60	03-39-3-60	.375 (9.5)	1.37 (35.1)		
03-39-70	03-39-1-70	03-39-3-70	.438 (11.1)	1.43 (36.3)		
03-39-80	03-39-1-80	03-39-3-80	.500 (12.7)	1.50 (38.1)		
03-39-90	03-39-1-90	03-39-3-90	.562 (14.3)	1.56 (39.6)		
03-39-100	03-39-1-100	03-39-3-100	.625 (15.9)	1.62 (41.4)		
03-39-120	03-39-1-120	03-39-3-120	.750 (19.1)	1.75 (44.5)		
03-39-140	03-39-1-140	03-39-3-140	.875 (22.2)	1.87 (47.8)	500/bag	
03-39-160	03-39-1-160	03-39-3-160	1.00 (25.4)	2.00 (50.8)		
03-39-180	03-39-1-180	03-39-3-180	1.13 (28.7)	2.13 (54.1)		
03-39-200	03-39-1-200	03-39-3-200	1.25 (31.2)	2.25 (57.2)		
03-39-220	03-39-1-220	03-39-3-220	1.38 (35.1)	2.38 (60.5)		
03-39-240	03-39-1-240	03-39-3-240	1.50 (38.1)	2.50 (63.5)		
03-39-260	03-39-1-260	03-39-3-260	1.63 (41.4)	2.63 (66.8)		
03-39-280	03-39-1-280	03-39-3-280	1.75 (44.5)	2.75 (69.9)		
03-39-300	03-39-1-300	03-39-3-300	1.88 (47.8)	2.88 (73.2)		
03-39-320	03-39-1-320	—	2.00 (50.8)	3.00 (76.2)		

\*Add (x) to end of part number for (V-Ø) material

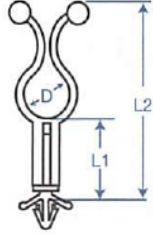


## 43 SERIES

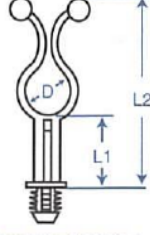
- Route and secure wire or bundles with a simple twist
- Arrowhead snap locks easily into boards
- Lifts wires off board away from panels, moving parts or hot components



TO SNAP LOCK IN A .187 (4.8) DIA HOLE IN A 1/16" (1.6) NOMINAL THICK PANEL/BOARD (03-XX-SERIES)



TO SNAP LOCK IN A .156 (4.0) DIA HOLE IN A 1/16" (1.6) NOMINAL THICK PANEL/BOARD (03-XX-1-SERIES)



TO PRESS-FIT IN A .312 (7.9) DIA HOLE IN A .250 (6.4) MIN. PANEL THICKNESS (03-XX-3-SERIES)



MATERIAL	NYLON 66
UL RATING	94V-2
UL FILE NO.	R70062
COLOR	NATURAL
ASTM	D 4066, PA111
RoHS COMPLIANCE	YES
TEMPERATURE RANGE (REF.)	-40 to 185°F (-40 to 85°C)
MR NUMBER	01

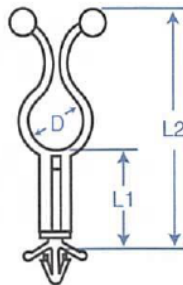
ITEM NO. (.187 Hole)	ITEM NO. (.156 Hole)	ITEM NO. (.312 Hole)	L1 (Ref) Inches (mm)	L2 (Ref) Inches (mm)	D Bundle Dia. Range Inches (mm)	Pack Size
—	—	03-43-3-20	.125 (3.2)	.910 (23.1)	.200-.300 (5.1-7.6)	1000/bag
03-43-30	03-43-1-30	03-43-3-30	.187 (4.8)	.972 (24.7)		
03-43-40	03-43-1-40	03-43-3-40	.250 (6.4)	1.04 (26.4)		
03-43-50	03-43-1-50	03-43-3-50	.312 (7.9)	1.10 (27.9)		
03-43-60	03-43-1-60	03-43-3-60	.375 (9.5)	1.16 (29.5)		
03-43-70	03-43-1-70	03-43-3-70	.438 (11.1)	1.22 (31.0)		
03-43-80	03-43-1-80	03-43-3-80	.500 (12.7)	1.29 (32.8)		
03-43-90	03-43-1-90	03-43-3-90	.562 (14.3)	1.35 (34.3)		
03-43-100	03-43-1-100	03-43-3-100	.625 (15.9)	1.41 (35.8)		
03-43-120	03-43-1-120	03-43-3-120	.750 (19.1)	1.54 (39.1)		
03-43-140	03-43-1-140	03-43-3-140	.875 (22.2)	1.66 (42.2)		
03-43-160	03-43-1-160	03-43-3-160	1.00 (25.4)	1.79 (45.5)		
03-43-180	03-43-1-180	03-43-3-180	1.13 (28.7)	1.92 (48.8)		
03-43-200	03-43-1-200	03-43-3-200	1.25 (31.2)	2.04 (51.8)		
03-43-220	03-43-1-220	03-43-3-220	1.38 (35.1)	2.17 (55.1)		
03-43-240	03-43-1-240	03-43-3-240	1.50 (38.1)	2.29 (58.2)		
03-43-260	03-43-1-260	03-43-3-260	1.63 (41.4)	2.42 (61.5)		
03-43-280	03-43-1-280	03-43-3-280	1.75 (44.5)	2.54 (64.5)		
03-43-300	03-43-1-300	03-43-3-300	1.88 (47.8)	2.67 (67.8)		
03-43-320	03-43-1-320	03-43-3-320	2.00 (50.8)	2.79 (71.0)		
03-43-340	03-43-1-340	03-43-3-340	2.12 (53.8)	2.91 (73.9)		
03-43-360	03-43-1-360	—	2.25 (57.2)	3.04 (77.2)	500/bag	

\*Add (x) to end of part number for (V-Ø) material

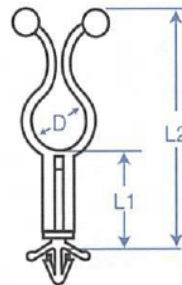


### 44 SERIES

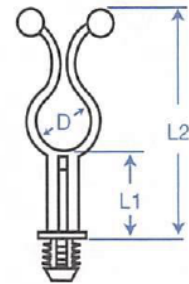
- Route and secure wire or bundles with a simple twist
- Arrowhead snap locks easily into boards
- Lifts wires off board away from panels, moving parts or hot components



TO SNAP LOCK IN A .187 (4.8) DIA HOLE IN A 1/16" (1.6) NOMINAL THICK PANEL/BOARD (03-XX-SERIES)



TO SNAP LOCK IN A .156 (4.0) DIA HOLE IN A 1/16" (1.6) NOMINAL THICK PANEL/BOARD (03-XX-1-SERIES)



TO PRESS-FIT IN A .312 (7.9) DIA HOLE IN A .250 (6.4) MIN. PANEL THICKNESS (03-XX-3-SERIES)

MATERIAL	NYLON 66
UL RATING	94V-2
UL FILE NO.	R70062
COLOR	NATURAL
ASTM	D 4066, PA111
RoHS COMPLIANCE	YES
TEMPERATURE RANGE (REF.)	-40 to 185°F (-40 to 85°C)
MR NUMBER	01

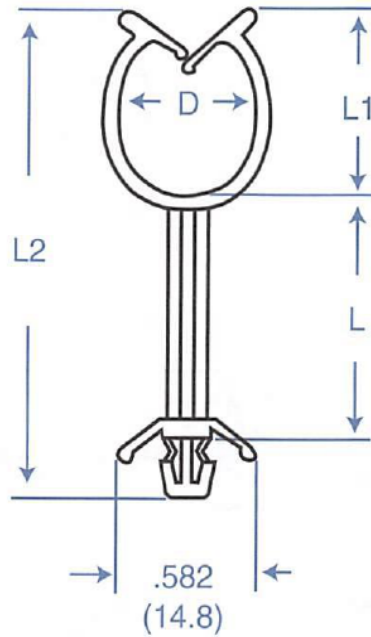
ITEM NO. (.187 Hole)	ITEM NO. (.156 Hole)	ITEM NO. (.312 Hole)	L1 (Ref) Inches (mm)	L2 (Ref) Inches (mm)	Bundle Range "D" Inches (mm)	Pack Size
—	—	03-44-3-30	.187 (4.8)	1.66 (42.2)	.70-.80 (17.8-20.0)	1000/bag
03-44-40	03-44-1-40	03-44-3-40	.250 (6.4)	1.72 (43.7)		
03-44-50	03-44-1-50	03-44-3-50	.312 (7.9)	1.79 (45.5)		
03-44-60	03-44-1-60	03-44-3-60	.375 (9.5)	1.85 (47.0)		
03-44-70	03-44-1-70	03-44-3-70	.438 (11.1)	1.91 (48.5)		
03-44-80	03-44-1-80	03-44-3-80	.500 (12.7)	1.97 (50.0)		
03-44-90	03-44-1-90	03-44-3-90	.562 (14.3)	2.04 (51.8)		
03-44-100	03-44-1-100	03-44-3-100	.625 (15.9)	2.10 (53.3)		
03-44-120	03-44-1-120	03-44-3-120	.750 (19.1)	2.22 (56.4)		
03-44-140	03-44-1-140	03-44-3-140	.875 (22.2)	2.35 (59.7)		
03-44-160	03-44-1-160	03-44-3-160	1.00 (25.4)	2.47 (62.7)		
03-44-180	03-44-1-180	03-44-3-180	1.13 (28.7)	2.60 (66.0)		
03-44-200	03-44-1-200	03-44-3-200	1.25 (31.2)	2.72 (69.1)		
03-44-220	03-44-1-220	03-44-3-220	1.38 (35.1)	2.85 (72.4)		
03-44-240	03-44-1-240	—	1.50 (38.1)	2.97 (75.4)		500/bag

\*Add (x) to the end of part number for (V-Ø) material



54 SERIES

- Stand-off harness clip



MATERIAL	NYLON 66
UL RATING	94V-2
UL FILE NO.	R70062
COLOR	NATURAL
ASTM	D 4066, PA111
RoHS COMPLIANCE	YES
TEMPERATURE RANGE (REF.)	-40 to 185°F (-40 to 85°C)
MR NUMBER	13

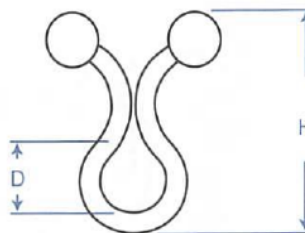
ITEM NO. UL94V-2	L		D		L <sub>1</sub>		L <sub>2</sub>		Mounting Hole Diameter		Panel Thickness	
	inches	(mm)	inches	(mm)	inches	(mm)	inches	(mm)	inches	(mm)	inches	(mm)
03-54-160	1.00	(25.4)	.591	(15.0)	.765	(19.4)	2.03	(51.5)	.187	(4.8)	.062	(1.6)

PACKAGING: 1000/bag



**33 SERIES**

- Route and secure wire or bundles with a simple twist
- Releasable and reusable
- Will not damage bundles



MATERIAL	NYLON 66
UL RATING	94V-2
UL FILE NO.	R70062
COLOR	NATURAL
ASTM	D 4066, PA111
RoHS COMPLIANCE	YES
TEMPERATURE RANGE (REF.)	-40 to 185°F (-40 to 85°C)
MR NUMBER	01

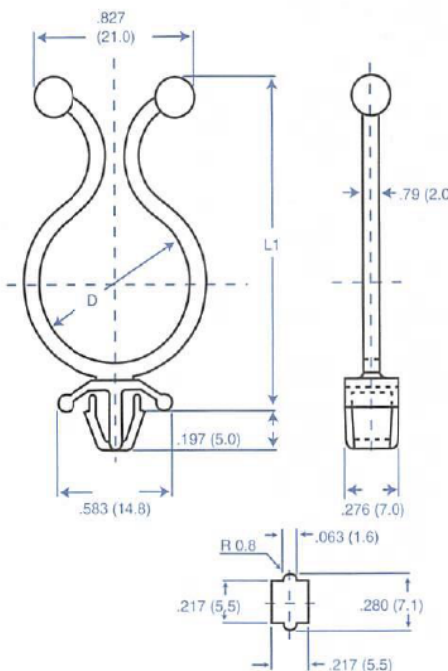
ITEM NO. UL94V-2	H		D Bundle Diameter Range	
	inches	(mm)	inches	(mm)
03-33-125	.72	(18.3)	.11-.14	(2.8-3.6)
03-33-250	.90	(22.9)	.20-.30	(5.1-7.6)
03-33-350	1.04	(26.2)	.30-.40	(7.6-10.2)
03-33-450	1.15	(30.0)	.40-.50	(10.2-12.7)
03-33-600	1.33	(33.8)	.55-.65	(14.0-16.5)
03-33-750	1.53	(39.4)	.70-.80	(17.8-20.3)
03-33-900	1.72	(43.4)	.90-1.00	(22.9-25.4)

\*Black color available upon request (add -BK to end of part #)

**PACKAGING: 1000/bag**

**41 SERIES**

- Square hole mount twist lock
- Route and secure wire bundles



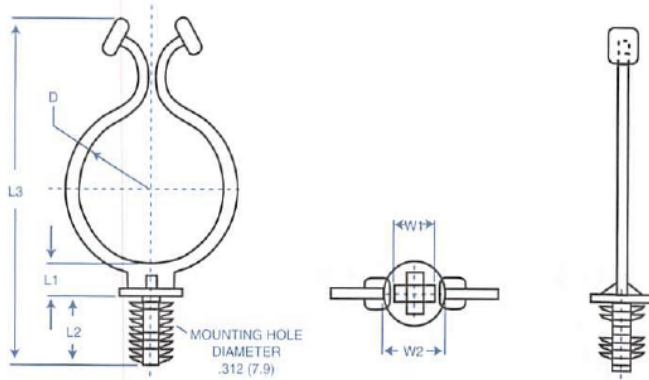
MATERIAL	NYLON 66
UL RATING	94V-2
UL FILE NO.	E53664
COLOR	NATURAL
ASTM	D 4066, PA111
RoHS COMPLIANCE	YES
TEMPERATURE RANGE (REF.)	-40 to 185°F (-40 to 85°C)
MR NUMBER	05

ITEM NO. UL94V-2	L1		Bundle Diameter Range	
	inches	(mm)	inches	(mm)
03-41-750	1.66	(42.1)	.70-.80	(17.8-20.3)

**PACKAGING: 500/bag**



## 38 SERIES



- Blind hole twist lock
- Routes and secures large bundles
- Snaps into particle board, plastic, wood or metal boards

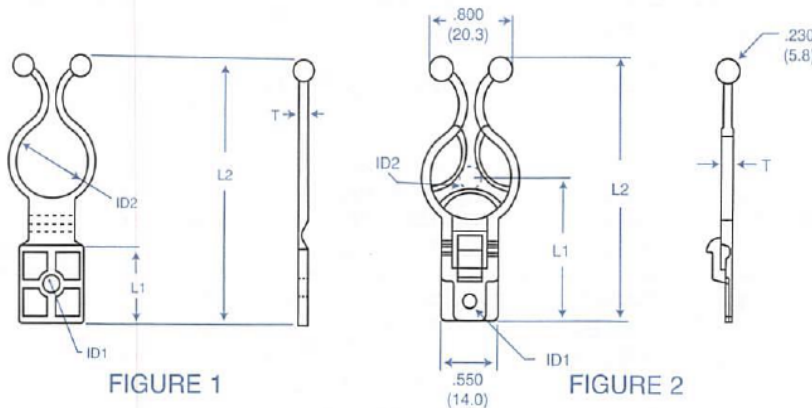


MATERIAL	NYLON 66
UL RATING	94V-2
UL FILE NO.	E41938
COLOR	NATURAL
ASTM	D 4066, PA111
RoHS COMPLIANCE	YES
TEMPERATURE RANGE (REF.)	-40 to 185°F (-40 to 85°C)
MR NUMBER	12

ITEM NO. UL94V-2	D Maximum Bundle Dia. inches (mm)	L <sub>1</sub> inches (mm)	L <sub>2</sub> inches (mm)	L <sub>3</sub> inches (mm)	W <sub>1</sub> inches (mm)	W <sub>2</sub> inches (mm)	Panel Thickness inches (mm)
03-38-1100	1.00-1.20 (25.4-30.5)	.250 (6.4)	.535 (13.6)	2.68 (68.1)	.340 (8.6)	.500 (12.7)	.060 - .400 (1.5 - 10.2)

PACKAGING: 500/bag

## 37 SERIES



- Hinged screw mount twist lock
- Flexible arm
- Reusable and releasable



MATERIAL	NYLON 66
UL RATING	94V-2
UL FILE NO.	E41938
COLOR	NATURAL
ASTM	D 4066, PA111
RoHS COMPLIANCE	YES
TEMPERATURE RANGE (REF.)	-40 to 185°F (-40 to 85°C)
MR NUMBER	12

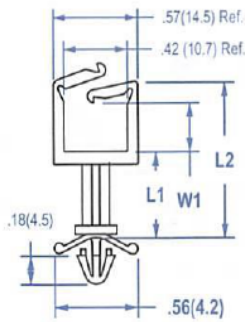
ITEM NO. UL94V-2	ID <sub>1</sub> inches (mm)	ID <sub>2</sub> inches (mm)	L <sub>1</sub> inches (mm)	L <sub>2</sub> inches (mm)	T inches (mm)	Screw Size	Figure No.
03-37-750	.190 (4.8)	.750 (19.1)	.750 (19.1)	2.60 (66.1)	.08 (2.0)	#8 (M4)	1
03-37-450W	.130 (3.3)	.14-.48 (3.6-12.2)	1.32 (33.4)	2.4 (61.2)	.12 (3.2)	#4 (M3)	2

PACKAGING: 500/bag



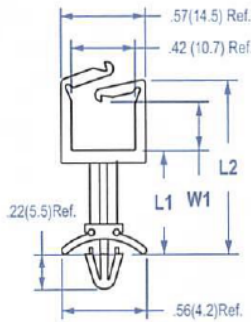
**45 SERIES  
46 SERIES  
47 SERIES  
48 SERIES**

**FIG.1**



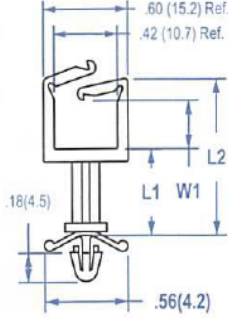
.187(4.7) Dia hole  
.015-.090(.38-2.28)  
panel thickness

**FIG.2**



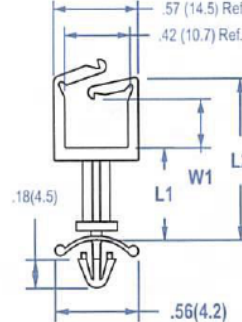
.187(4.7) Dia hole  
1/16(1.6) thickness

**FIG.3**



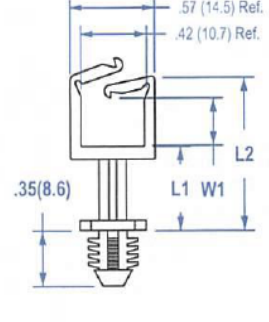
.156(4) Dia hole  
.015-.090(.38-2.28)  
panel thickness

**FIG.4**



.187(4.7) Dia hole  
1/8(3.8) thickness

**FIG.5**



.312(7.9) Dia hole  
.250(6.35) Min. thickness

Fig 1 ITEM NO.	Fig 2 ITEM NO.	Fig 3 ITEM NO.	Fig 4 ITEM NO.	Fig 5 ITEM NO.	L1 REF.		W1 Ref (closed)		L2 REF.	
					In	mm.	In	mm.	In	mm.
03-45-40	03-45-40A	03-45-1-40	03-45-2-40	03-45-3-40	.250	6.35	.189	4.8	.680	17.3
03-45-80	03-45-80A	03-45-1-80	03-45-2-80	03-45-3-80	.500	12.7	.365	9.3	.930	23.6
03-45-120	03-45-120A	03-45-1-120	03-45-2-120	03-45-3-120	.750	19.1	.734	18.6	1.18	29.9
03-45-160	03-45-160A	03-45-1-160	03-45-2-160	03-45-3-160	1.00	25.4	1.04	26.4	1.43	36.3
03-46-40	03-46-40A	03-46-1-40	03-46-2-40	03-46-3-40	.250	6.35	.189	4.8	.840	21.3
03-46-80	03-46-80A	03-46-1-80	03-46-2-80	03-46-3-80	.500	12.7	.365	9.3	1.09	27.7
03-46-120	03-46-120A	03-46-1-120	03-46-2-120	03-46-3-120	.750	19.1	.734	18.6	1.34	34
03-46-160	03-46-160A	03-46-1-160	03-46-2-160	03-46-3-160	1.00	25.4	1.04	26.4	1.59	40.4
03-47-40	03-47-40A	03-47-1-40	03-47-2-40	03-47-3-40	.250	6.35	.189	4.8	1.20	30.5
03-47-80	03-47-80A	03-47-1-80	03-47-2-80	03-47-3-80	.500	12.7	.365	9.3	1.45	36.8
03-47-120	03-47-120A	03-47-1-120	03-47-2-120	03-47-3-120	.750	19.1	.734	18.6	1.70	42.2
03-47-160	03-47-160A	03-47-1-160	03-47-2-160	03-47-3-160	1.00	25.4	1.04	26.4	1.95	49.5
03-48-40	03-48-40A	03-48-1-40	03-48-2-40	03-48-3-40	.250	6.35	.189	4.8	1.51	38.4
03-48-80	03-48-80A	03-48-1-80	03-48-2-80	03-48-3-80	.500	12.7	.365	9.3	1.76	44.7
03-48-120	03-48-120A	03-48-1-120	03-48-2-120	03-48-3-120	.750	19.1	.734	18.6	2.0	50.1
03-48-160	03-48-160A	03-48-1-160	03-48-2-160	03-48-3-160	1.00	25.4	1.04	26.4	2.24	57.2

**PACKAGING:** 1000/bag

MATERIAL: NYLON 66  
UL RATING: 94V-2  
UL FILE NO.: R70062  
COLOR: NATURAL  
ASTM: D 4066, PA111  
RoHS COMPLIANCE: YES  
TEMPERATURE RANGE (REF.): -40 to 185°F (-40 to 85°C)  
MR NUMBER: 01

Nylon 66 rated UL94V-0 available upon request.  
To order add suffix X to part number



## 49 SERIES 50 SERIES 51 SERIES 52 SERIES

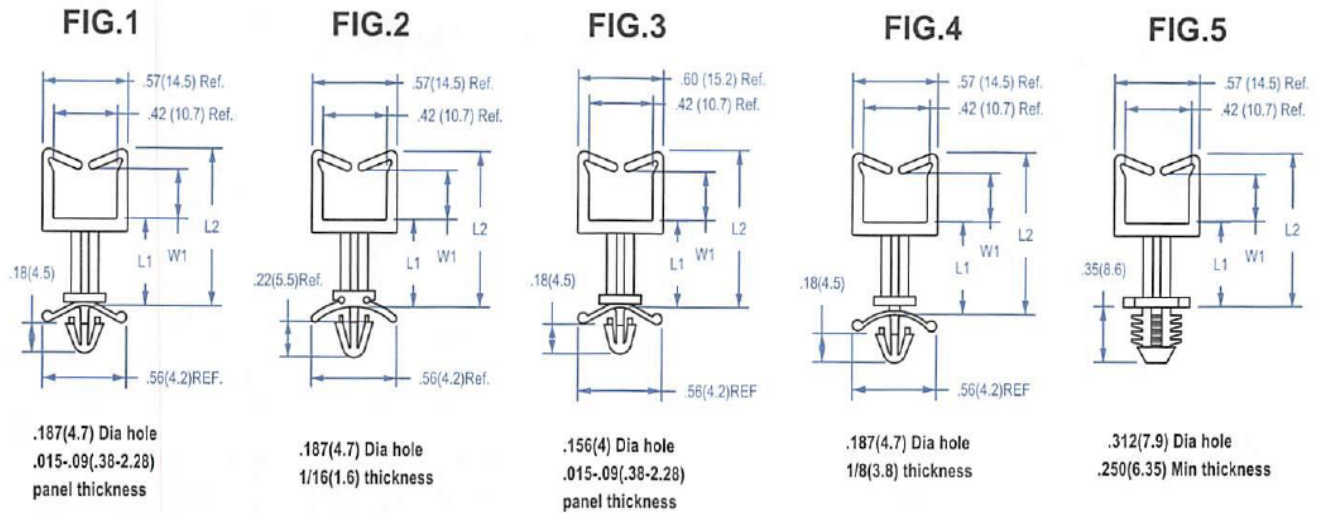


Fig1 ITEM NO.	Fig 2 ITEM NO.	Fig 3 ITEM NO.	Fig 4 ITEM NO.	Fig 5 ITEM NO.	L1 REF.		W1 REF.		L2 REF.	
					In	mm.	In	mm.	In	mm.
03-49-40	03-49-40A	03-49-1-40	03-49-2-40	03-49-3-40	.250	6.35	.166	4.15	.608	15.4
03-49-80	03-49-80A	03-49-1-80	03-49-2-80	03-49-3-80	.500	12.7	.374	9.5	.858	21.8
03-49-120	03-49-120A	03-49-1-120	03-49-2-120	03-49-3-120	.750	19.1	.72	18.3	1.11	28.2
03-49-160	03-49-160A	03-49-1-160	03-49-2-160	03-49-3-160	1.00	25.4	1.04	26.4	1.36	34.5
03-50-40	03-50-40A	03-50-1-40	03-50-2-40	03-50-3-40	.250	6.35	.166	4.15	.814	20.7
03-50-80	03-50-80A	03-50-1-80	03-50-2-80	03-50-3-80	.500	12.7	.374	9.5	1.06	26.9
03-50-120	03-50-120A	03-50-1-120	03-50-2-120	03-50-3-120	.750	19.1	.72	18.3	1.31	33.3
03-50-160	03-50-160A	03-50-1-160	03-50-2-160	03-50-3-160	1.00	25.4	1.04	26.4	1.56	39.6
03-51-40	03-51-40A	03-51-1-40	03-51-2-40	03-51-3-40	.250	6.35	.166	4.15	1.17	29.7
03-51-80	03-51-80A	03-51-1-80	03-51-2-80	03-51-3-80	.500	12.7	.374	9.5	1.42	36.1
03-51-120	03-51-120A	03-51-1-120	03-51-2-120	03-51-3-120	.750	19.1	.72	18.3	1.67	42.4
03-51-160	03-51-160A	03-51-1-160	03-51-2-160	03-51-3-160	1.00	25.4	1.04	26.4	1.92	48.8
03-52-40	03-52-40A	03-52-1-40	03-52-2-40	03-52-3-40	.250	6.35	.166	4.15	1.49	37.6
03-52-80	03-52-80A	03-52-1-80	03-52-2-80	03-52-3-80	.500	12.7	.374	9.5	1.72	43.7
03-52-120	03-52-120A	03-52-1-120	03-52-2-120	03-52-3-120	.750	19.1	.72	18.3	1.98	50.3
03-52-160	03-52-160A	03-52-1-160	03-52-2-160	03-52-3-160	1.00	25.4	1.04	26.4	2.23	56.6

**PACKAGING:** 1000/bag

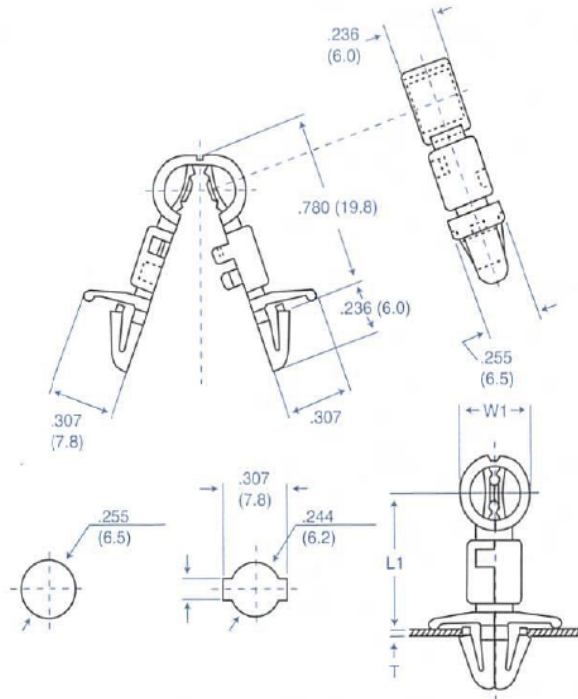
MATERIAL	NYLON 66	Nylon 66 rated UL94V-0 available upon request. To order add suffix X to part number
UL RATING	94V-2	
UL FILE NO.	R70062	
COLOR	NATURAL	
ASTM	D 4066, PA111	
RoHS COMPLIANCE	YES	
TEMPERATURE RANGE (REF.)	-40 to 185°F (-40 to 85°C)	
MR NUMBER	01	



Get quote >>

**12 SERIES**

- Wire sensor holder



MATERIAL	NYLON 66
UL RATING	94V-2
UL FILE NO.	E53664
COLOR	NATURAL
ASTM	D 4066, PA111
RoHS COMPLIANCE	YES
TEMPERATURE RANGE (REF.)	-40 to 185°F (-40 to 85°C)
MR NUMBER	05

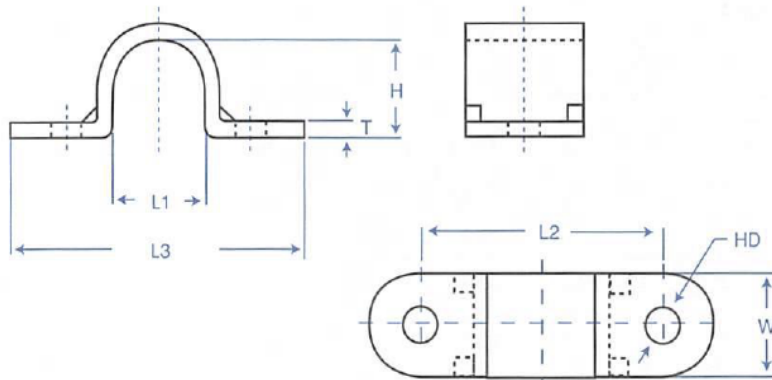
ITEM NO. UL94V-2	(T) Panel Thickness inches (mm)	L <sub>1</sub> inches (mm)	W <sub>1</sub> inches (mm)
03-12-10	.019-.026 (.5-7)	.591 (15.0)	.335 (8.5)

PACKAGING: 500/bag

**13 SERIES**

- Durable construction
- Mount securely with screws

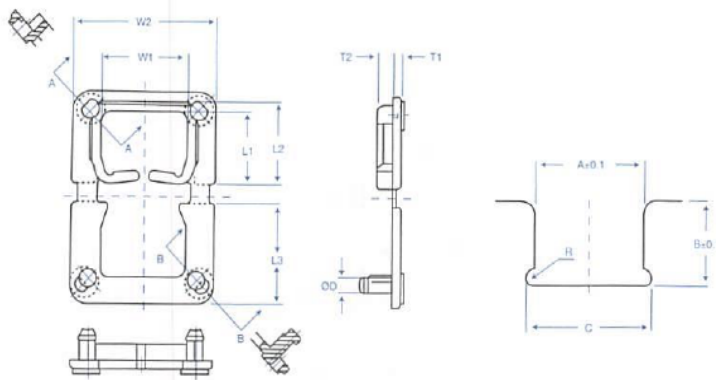
ITEM NO.	03-13-Series
COLOR:	Natural
PACKAGING:	200/bag
MATERIAL:	Polyethylene



ITEM NO.	HD Hole Dia inches (mm)	L <sub>1</sub> inches (mm)	L <sub>2</sub> inches (mm)	L <sub>3</sub> inches (mm)	W inches (mm)	H inches (mm)	T inches (mm)
03-13-10	.158 (4.0)	.472 (12.0)	.945 (24.0)	1.50 (38.0)	.591 (15.0)	.472 (12.0)	
03-13-20		.630 (16.0)	1.42 (36.0)	2.05 (52.0)	.591 (15.0)	.630 (16.0)	.079 (2.0)
03-13-30	.197 (5.0)	.787 (18.0)	1.50 (38.0)	2.28 (58.0)	.787 (18.0)	.787 (18.0)	
03-13-40		.984 (25.0)	1.97 (50.0)	2.76 (70.0)	.787 (18.0)	1.10 (28.0)	.098 (2.5)

PACKAGING: 200/bag

## 05 SERIES



- Protects bundles/wires from sharp edges
- Simply mount to chassis/panel



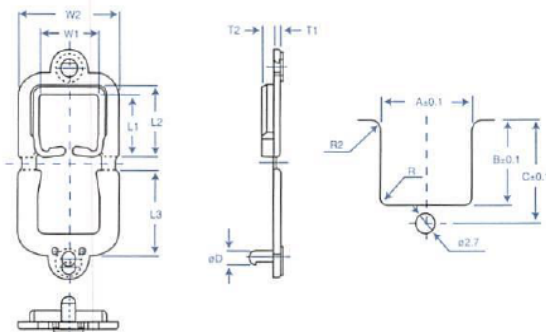
ITEM NO.		L <sub>1</sub>	L <sub>2</sub>	L <sub>3</sub>	W <sub>1</sub>	W <sub>2</sub>	T <sub>1</sub>	T <sub>2</sub>	D	Panel Thickness
UL94V-2	UL94V-0	inches (mm)	inches (mm)	inches (mm)	inches (mm)	inches (mm)	inches (mm)	inches (mm)	inches (mm)	inches (mm)
03-05-11	03-05-11X	.354 (9.0)	.394 (10.0)	.465 (11.8)	.433 (11.0)	.724 (18.4)	.047 (1.2)		.077 (1.95)	.032-.079 (.8-2.0)
03-05-14	03-05-14X	.512 (13.0)	.571 (14.5)	.661 (16.8)	.551 (14.0)	.866 (22.0)	.051 (1.3)	.079 (2.0)		
03-05-18	03-05-18X	.641 (16.3)	.689 (17.5)	.780 (19.8)	.709 (18.0)	1.02 (26.0)	.059 (1.5)	.091 (2.3)		

PACKAGING: 500/bag

MOUNTING HOLE DIMENSIONS		A	B	C	R
		inches (mm)	inches (mm)	inches (mm)	inches (mm)
03-05-11	03-05-11X	.551 (14.0)	.394 (10.0)	.630 (16.0)	.039 (1.0)
03-05-14	03-05-14X	.669 (17.0)	.571 (14.5)	.756 (19.2)	.043 (1.1)
03-05-18	03-05-18X	.827 (21.0)	.689 (17.5)	.921 (23.4)	.049 (1.2)
Tolerance ±		.004 (.1)	.004 (.1)	.004 (.1)	

MATERIAL	NYLON 66
UL RATING	94V-2
UL FILE NO.	E53664
COLOR	NATURAL
ASTM	D 4066, PA111
RoHS COMPLIANCE	YES
TEMPERATURE RANGE (REF.)	-40 to 185°F (-40 to 85°C)
MR NUMBER	05

## 06 SERIES



- Protects bundles/wires from sharp edges
- Simply mount to chassis/panel

ITEM NO.		L <sub>1</sub>	L <sub>2</sub>	L <sub>3</sub>	W <sub>1</sub>	W <sub>2</sub>	T <sub>1</sub>	T <sub>2</sub>	D	Panel Thickness
UL94V-2	UL94V-0	inches (mm)	inches (mm)	inches (mm)	inches (mm)	inches (mm)	inches (mm)	inches (mm)	inches (mm)	inches (mm)
03-06-10	03-06-10X	.425 (10.8)	.484 (12.3)	.571 (14.5)	.433 (11.0)	.724 (18.4)	.047 (1.2)	.079 (2.0)	.098 (2.5)	.032-.079 (.8-2.0)
03-06-20	03-06-20X	.768 (16.3)	.827 (21.0)	.921 (23.4)	.709 (18.0)	1.0 (25.4)	.059 (1.5)	.079 (2.0)	.098 (2.5)	

PACKAGING: 500/bag

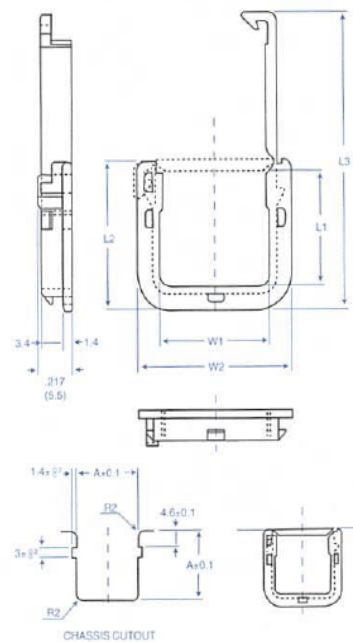
MOUNTING HOLE DIMENSIONS		A	B	C	R	R
		inches (mm)	inches (mm)	inches (mm)	inches (mm)	inches (mm)
03-06-10	03-06-10X	.551 (14.0)	.484 (12.3)	.591 (15.0)	.039 (1.0)	.079 (2.0)
03-06-20	03-06-20X	.827 (21.0)	.827 (21.0)	.921 (23.4)	.059 (1.5)	.079 (2.0)
Tolerance ±		.004 (.1)	.004 (.1)	.004 (.1)		

MATERIAL	NYLON 66
UL RATING	94V-2
UL FILE NO.	E53664
COLOR	NATURAL
ASTM	D 4066, PA111
RoHS COMPLIANCE	YES
TEMPERATURE RANGE (REF.)	-40 to 185°F (-40 to 85°C)
MR NUMBER	05



23 SERIES

- Edge wire saddle (hinged)



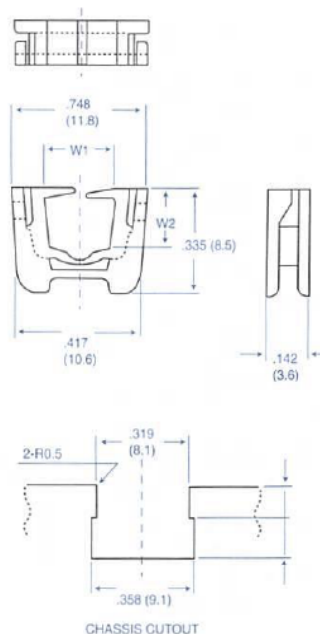
MATERIAL	NYLON 66
UL RATING	94V-2
UL FILE NO.	E53664
COLOR	NATURAL
ASTM	D 4066, PA111
RoHS COMPLIANCE	YES
TEMPERATURE RANGE (REF.)	-40 to 185°F (-40 to 85°C)
MR NUMBER	05

ITEM NO.		W <sub>1</sub>		W <sub>2</sub>		L <sub>1</sub>		L <sub>2</sub>		L <sub>3</sub>		A		Panel Thickness (Chassis Cutout)	
UL94V-2	UL94V-0	inches	(mm)	inches	(mm)	inches	(mm)	inches	(mm)	inches	(mm)	inches	(mm)	inches	(mm)
03-23-11	03-23-11X	.457	(11.6)	.709	(18.0)	.437	(11.1)	.622	(15.8)	1.24	(31.4)	.551	(14.0)	.020-.063	(.5-1.6)
03-23-18	03-23-18X	.724	(18.4)	1.02	(25.8)	.696	(17.7)	.913	(23.2)	1.82	(46.1)	.827	(21.0)	.020-.063	(.5-1.6)

PACKAGING: 500/bag

24 SERIES

- Edge wire saddle
- Protects wires from sharp edges



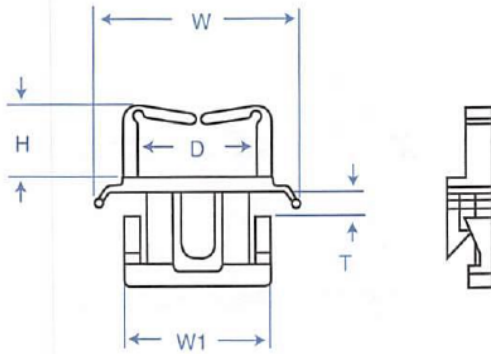
MATERIAL	NYLON 66
UL RATING	94V-2
UL FILE NO.	E53664
COLOR	NATURAL
ASTM	D 4066, PA111
RoHS COMPLIANCE	YES
TEMPERATURE RANGE (REF.)	-40 to 185°F (-40 to 85°C)
MR NUMBER	05

ITEM NO.		W <sub>1</sub>		W <sub>2</sub>		Chassis Thickness (Chassis Cutout)	
UL94V-2	UL94V-0	inches	(mm)	inches	(mm)	inches	(mm)
03-24-60	03-24-60X	.232	(5.9)	.187	(4.8)	.031-.063	(.8-1.6)

PACKAGING: 500/bag



55 SERIES



- Edge hold wire saddle
- Slides on chassis/panel (edge mount)

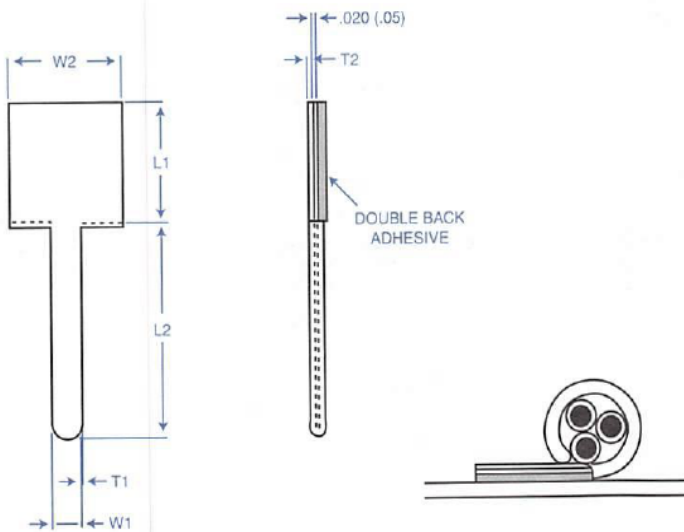


ITEM NO. UL94V-2	D		H		W		W <sub>1</sub>		Panel Thickness Range		T	
	inches	(mm)	inches	(mm)	inches	(mm)	inches	(mm)	inches	(mm)	inches	(mm)
03-55-16	.646	(16.4)	.366	(9.3)	1.11	(28.2)	.795	(20.2)	.040-.080	(1.0-2.0)	.122	(3.1)

PACKAGING: 1000/bag

MATERIAL	NYLON 66
UL RATING	94V-2
UL FILE NO.	R70062
COLOR	NATURAL
ASTM	D 4066, PA111
RoHS COMPLIANCE	YES
TEMPERATURE RANGE (REF.)	-40 to 185°F (-40 to 85°C)
MR NUMBER	13

15 SERIES



- Metal clip coated with soft PVC for insulation
- Adhesive backed base
- Flexible and reusable
- Material: (soft PVC coating) E58538(S)



ITEM NO.	L <sub>1</sub>		L <sub>2</sub>		W <sub>1</sub>		W <sub>2</sub>		T <sub>1</sub>		T <sub>2</sub>	
	inches	(mm)	inches	(mm)	inches	(mm)	inches	(mm)	inches	(mm)	inches	(mm)
03-15-808	.315	(8.0)	.591	(15.0)	.083	(2.1)	.315	(8.0)	.008	(.2)	.039	(1.0)
03-15-1408	.551	(14.0)	.984	(25.0)	.138	(3.5)	.551	(14.0)	.008	(.2)	.039	(1.0)
03-15-1908	.748	(19.0)	1.18	(30.0)	.158	(4.0)	.748	(19.0)	.008	(.2)	.020	(.5)
Tolerance ±									.002	(.05)	.020	(.5)

ITEM NO.	03-15-Series
COLOR:	Ivory
MATERIAL:	.5t Zinc Plated Steel (clip) Soft PVC (coating)

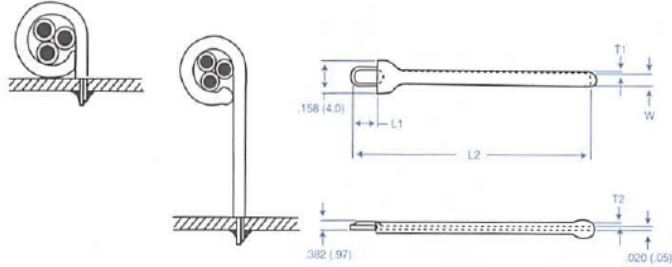
PACKAGING: 500/bag



Get quote »

### 14 SERIES

- Ideal for jumper wire repairs on PC boards
- Insulated
- Slight protrusion eases insertion into mounting hole end
- Material: soft PVC coating (E58538(S))



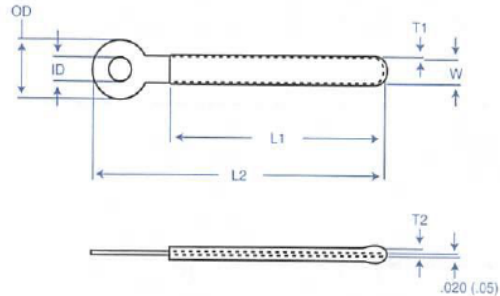
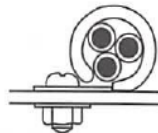
ITEM NO. 03-14-Series	
<b>COLOR:</b>	Black
<b>MATERIAL:</b>	.5t Tin Plated Steel (clip) Soft PVC (coating)

ITEM NO.	L <sub>1</sub> inches (mm)	L <sub>2</sub> inches (mm)	W inches (mm)	T <sub>1</sub> inches (mm)	T <sub>2</sub> inches (mm)	Mounting Hole inches (mm)
03-14-10	.158 (4.0)	1.97 (50.0)	.079 (2.0)	>.008 (.2)	.023 (.6)	.039 x .106 (1.0 x 2.7)
03-14-20	.138 (3.5)	1.18 (30.0)	.079 (2.0)	>.008 (.2)	.023 (.6)	
Tolerance	±.059 (1.5)				.012 (.3)	

PACKAGING: 500/bag

### 16 SERIES

- Affix with screw to base
- Insulated
- Accomodates a wide range of bundle diameters
- Material: soft PVC coating (E58538(S))



ITEM NO.	ID inches (mm)	OD inches (mm)	L <sub>1</sub> inches (mm)	L <sub>2</sub> inches (mm)	W inches (mm)	T <sub>1</sub> inches (mm)	T <sub>2</sub> inches (mm)
03-16-10	.130 (3.3)	.236 (6.0)	1.77 (45.0)	2.13 (54.0)	.138 (3.5)	>.008 (.2)	.039 (1.0)
03-16-20		.315 (8.0)	1.18 (30.0)	1.61 (41.0)			
03-16-30			1.77 (45.0)	2.20 (56.0)			
03-16-40			2.17 (55.0)	2.60 (66.0)			
03-16-50	.173 (4.4)	.315 (8.0)	1.77 (45.0)	2.20 (56.0)	.177 (4.5)	>.008 (.2)	.039 (1.0)
03-16-60			2.17 (55.0)	2.60 (66.0)			
03-16-70			2.56 (65.0)	2.99 (76.0)			
03-16-80	.130 (3.3)	.315 (8.0)	1.93 (49.0)	2.36 (60.0)	.118 (3.0)	>.008 (.2)	.039 (1.0)
03-16-90	.138 (3.5)		.886 (22.5)	1.36 (34.5)	.197 (5.0)		
Tolerance ±							.020 (.5)

PACKAGING: 500/bag

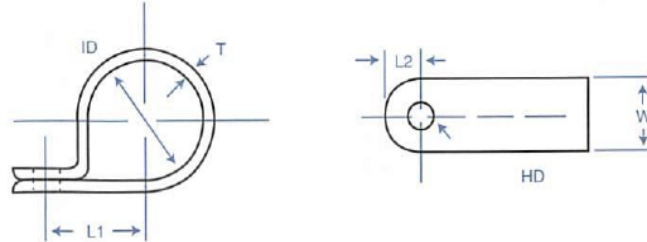
ITEM NO. 03-16-Series	
<b>COLOR:</b>	Black
<b>MATERIAL:</b>	.5t Zinc Plated Steel (clip) Soft PVC (coating)



## 03 SERIES

- Non-conductive, non-corrosive
- Multi-purpose nylon cable clamps

MATERIAL	NYLON 66
UL RATING	94V-2
UL FILE NO.	E41938
COLOR	NATURAL / BLACK
ASTM	D 4066, PA111
RoHS COMPLIANCE	YES
TEMPERATURE RANGE (REF.)	-40 to 185°F (-40 to 85°C)
MR NUMBER	12



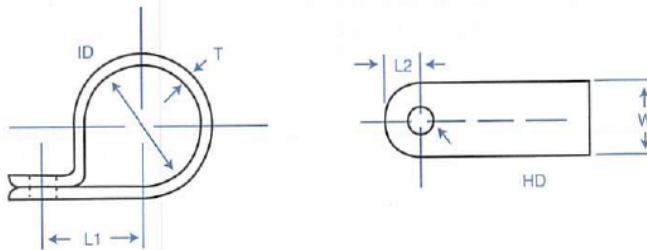
PACKAGING: 1000/bag

ITEM NO.		ID Closed Dia. inches (mm)	HD Hole Dia. inches (mm)	L <sub>1</sub> inches (mm)	L <sub>2</sub> inches (mm)	W inches (mm)	T inches (mm)
Natural	Black						
04-03-20-N	04-03-20-BK	.125 (3.2)		.343 (8.7)			
04-03-30-N	04-03-30-BK	.187 (4.8)		.378 (9.6)			
04-03-40-N	04-03-40-BK	.250 (6.4)		.421 (10.7)			
04-03-50-N	04-03-50-BK	.312 (7.9)	.170 (4.3)	.441 (11.2)	.218 (5.5)	.375 (9.5)	.050 (1.3)
04-03-60-N	04-03-60-BK	.375 (9.5)		.464 (11.8)			
04-03-70-N	04-03-70-BK	.437 (11.1)		.500 (12.7)			
04-03-80-N	04-03-80-BK	.500 (12.7)		.530 (13.5)			
Tolerance ±		.020	.015	.015			.020



## 05 SERIES

- Non-conductive, non-corrosive
- Multi-purpose nylon cable clamps



ITEM NO.		ID Closed Dia. inches (mm)	HD Hole Dia. inches (mm)	L <sub>1</sub> inches (mm)	L <sub>2</sub> inches (mm)	W inches (mm)	T inches (mm)
Natural	Black						
04-05-20-N	04-05-20-BK	.125 (3.2)		.327 (8.3)			
04-05-30-N	04-05-30-BK	.187 (4.8)		.378 (9.6)			
04-05-40-N	04-05-40-BK	.250 (6.4)		.437 (11.1)			
04-05-50-N	04-05-50-BK	.312 (7.9)		.474 (12.0)			
04-05-60-N	04-05-60-BK	.375 (9.5)		.500 (12.7)			
04-05-70-N	04-05-70-BK	.437 (11.1)		.533 (13.5)			
04-05-80-N	04-05-80-BK	.500 (12.7)		.553 (14.1)			
04-05-90-N	04-05-90-BK	.562 (14.3)		.603 (15.3)			
04-05-100-N	04-05-100-BK	.625 (15.9)		.625 (15.9)			
04-05-110-N	04-05-110-BK	.687 (17.4)		.665 (16.9)			
04-05-120-N	04-05-120-BK	.750 (19.1)	.203 (5.2)	.699 (17.8)	.218 (5.5)	.500 (12.7)	.050 (1.3)
04-05-130-N	04-05-130-BK	.812 (20.6)		.765 (19.9)			
04-05-140-N	04-05-140-BK	.875 (22.2)		.795 (20.2)			
04-05-160-N	04-05-160-BK	1.00 (25.4)		.825 (20.9)			
04-05-180-N	04-05-180-BK	1.13 (28.6)		.940 (23.8)			
04-05-190-N	04-05-190-BK	1.19 (30.1)		.963 (24.5)			
04-05-200-N	04-05-200-BK	1.25 (31.8)		.980 (24.9)			
04-05-220-N	04-05-220-BK	1.38 (34.9)		1.05 (26.5)			
04-05-240-N	04-05-240-BK	1.50 (38.1)		1.11 (28.3)			
Tolerance ±		.020	.020	.015			.020



PACKAGING: 1000/bag (04-05-40 thru 04-05-160)  
500/bag (04-05-180 thru 04-05-240)

MATERIAL	NYLON 66
UL RATING	94V-2
UL FILE NO.	E41938
COLOR	NATURAL / BLACK
ASTM	D 4066, PA111
RoHS COMPLIANCE	YES
TEMPERATURE RANGE (REF.)	-40 to 185°F (-40 to 85°C)
MR NUMBER	12



12 SERIES

- Wire harness clip
- Cables or wires easily installed or removed without removing clamp

MATERIAL	NYLON 66
UL RATING	94V-2
UL FILE NO.	R70062
COLOR	NATURAL
ASTM	D 4066, PA111
RoHS COMPLIANCE	YES
TEMPERATURE RANGE (REF.)	-40 to 185°F (-40 to 85°C)
MR NUMBER	01

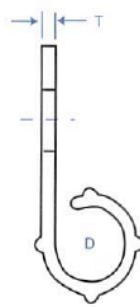


FIGURE 1

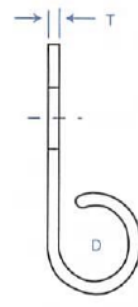
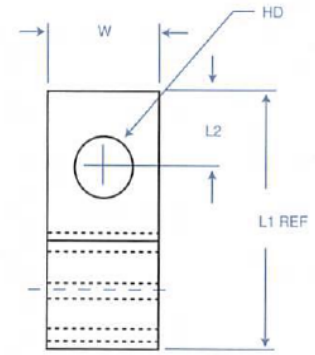


FIGURE 2

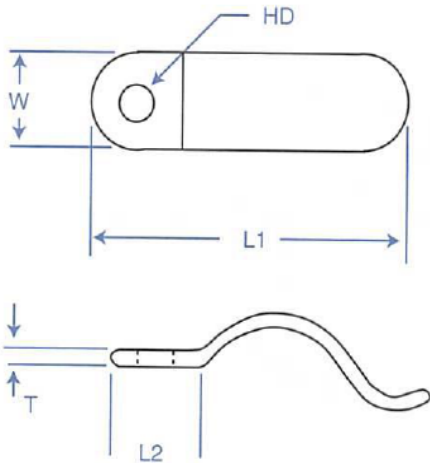


ITEM NO. UL94V-2	(D) Bundle Diam.		(HD) Hole Diam.	L <sub>1</sub>		L <sub>2</sub> (REF)		(W)		(T)		Fig. No.	
	inches	(mm)		inches	(mm)	inches	(mm)	inches	(mm)	inches	(mm)		
04-12-250	.250	(6.4)	.204	(5.2)	.830	(21.1)	.250	(6.4)	.400	(10.2)	.040	(1.0)	2
04-12-375	.375	(9.5)			.830	(21.1)	.190	(4.8)			.055	(1.3)	
04-12-500	.500	(12.7)			1.156	(29.4)	.250	(6.4)			.070	(1.8)	
04-12-625	.625	(15.9)			1.125	(28.6)	.190	(4.8)	.080	(2.0)			
04-12-750	.750	(19.1)			1.281	(32.5)	.190	(4.8)	.080	(2.0)			
04-12-1000	1.00	(25.4)			1.531	(38.9)	.190	(4.8)	.090	(2.4)			
04-12-1500	1.50	(38.1)	2.125	(53.9)	.190	(4.8)	.100	(2.5)					

PACKAGING: 500/bag

04 SERIES

- Tension clip
- 3/8" holding capacity
- Mount wire bundles, tubing, panels, signs, displays



MATERIAL	NYLON 66
UL RATING	94V-2
UL FILE NO.	E41938
COLOR	NATURAL
ASTM	D 4066, PA111
RoHS COMPLIANCE	YES
TEMPERATURE RANGE (REF.)	-40 to 185°F (-40 to 85°C)
MR NUMBER	12

ITEM NO. UL94V-2	L <sub>1</sub>		L <sub>2</sub>		W		HD		T	
	inches	(mm)	inches	(mm)	inches	(mm)	inches	(mm)	inches	(mm)
04-04-30	1.312	(33.2)	.375	(9.5)	.375	(9.5)	.150	(3.8)	.060	(1.6)
Tolerance:	± .010	± .010	± .010	± .005	± .005					

PACKAGING: 500/bag

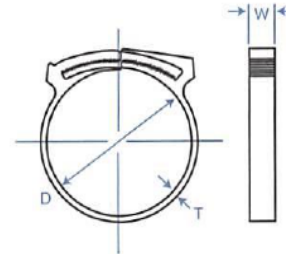


07 SERIES



- Reusable; remove by hand or with pliers
- Non-conductive; non-corrosive
- Ideal for appliance, automotive, electrical and electronic applications

ITEM NO.		(D) Nominal Dia.		Closed Diameter		W		T	
		inches	(mm)	inches	(mm)	inches	(mm)	inches	(mm)
04-07-250	(¼)	.290	(7.37)	.246	(6.25)	.218	(5.56)		
04-07-344	(½)	.406	(10.31)	.360	(9.14)	.218	(5.56)		
04-07-406	(¾)	.468	(11.89)	.410	(10.41)	.250	(6.35)		
04-07-468	(1½)	.536	(13.61)	.475	(12.07)	.218	(5.56)		
04-07-531	(1½)	.608	(15.44)	.538	(13.67)	.250	(6.35)		
04-07-593	(1½)	.665	(16.89)	.597	(15.16)	.250	(6.35)	.063	(1.59)
04-07-672	(¾)	.780	(19.81)	.670	(17.02)	.218	(5.56)		
04-07-750	(¾)	.830	(21.08)	.730	(18.54)	.218	(5.56)		
04-07-875	(¾)	.975	(24.77)	.870	(22.10)	.218	(5.56)		
04-07-953	(¾)	1.093	(27.76)	.953	(24.21)	.250	(6.35)		
04-07-1031	(1½)	1.187	(30.15)	1.031	(26.19)	.313	(7.94)		
04-07-1250	(1½)	1.425	(36.20)	1.250	(31.75)	.313	(7.94)		
04-07-1406	(1½)	1.610	(40.89)	1.406	(35.71)	.344	(8.73)		
04-07-1593	(1½)	1.812	(46.02)	1.593	(40.46)	.344	(8.73)		
04-07-1687	(1½)	2.110	(53.59)	1.790	(45.47)	.344	(8.73)		
04-07-1875	(1½)	2.125	(53.98)	1.870	(47.50)	.406	(10.32)		
04-07-2125	(21/8)	2.390	(60.71)	2.120	(53.85)	.406	(10.32)		



MATERIAL	NYLON 66
UL RATING	94V-2
UL FILE NO.	E41938
COLOR	BLACK *
ASTM	D 4066, PA111
RoHS COMPLIANCE	YES
TEMPERATURE RANGE (REF.)	-40 to 185°F (-40 to 85°C)
MR NUMBER	12

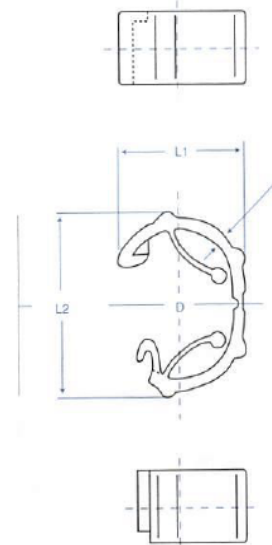
\*Natural available; inquiries welcome

PACKAGING: 100/bag

10 SERIES

- Snap clip
- Routes and secures wire bundles
- Fasten and release clip by hand

MATERIAL	NYLON 66
UL RATING	94V-2
UL FILE NO.	E53664
COLOR	NATURAL
ASTM	D 4066, PA111
RoHS COMPLIANCE	YES
TEMPERATURE RANGE (REF.)	-40 to 185°F (-40 to 85°C)
MR NUMBER	05



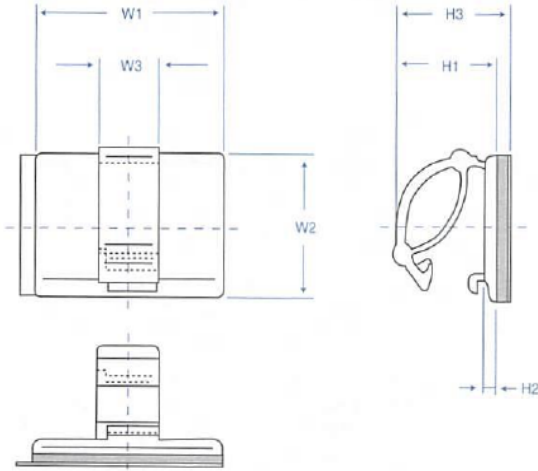
ITEM NO.	L <sub>1</sub>		L <sub>2</sub>		W		T		Bundle Diameter (D)
	inches	(mm)	inches	(mm)	inches	(mm)	inches	(mm)	
UL94V-2									
04-10-30	.386	(9.8)	.417	(10.6)	.236	(6.0)	.035	(.9)	.078-.158 (2.0-4.0)
04-10-50	.441	(11.2)	.595	(15.1)	.236	(6.0)	.040	(1.0)	.138-.217 (3.5-5.5)
04-10-70	.575	(14.6)	.728	(18.5)	.236	(6.0)	.040	(1.0)	.217-.315 (5.5-8.0)

PACKAGING: 500/bag



13 SERIES

- Optical fiber/small cable holding
- Adhesive backed clip
- Colors available



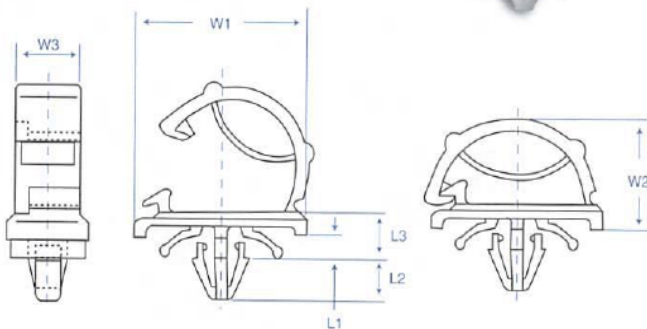
MATERIAL	NYLON 66
UL RATING	94V-2
UL FILE NO.	E53664
COLOR	NATURAL
ASTM	D 4066, PA111
RoHS COMPLIANCE	YES
TEMPERATURE RANGE (REF.)	-40 to 185°F (-40 to 85°C)
MR NUMBER	05

ITEM NO.	Holding Capacity Range Diameter (mm)	W <sub>1</sub>		W <sub>2</sub>		W <sub>3</sub>		H <sub>1</sub>		H <sub>2</sub>		H <sub>3</sub>	
		inches	(mm)	inches	(mm)	inches	(mm)	inches	(mm)	inches	(mm)	inches	(mm)
04-13-10-N	AWG #20 x 2 (1.7mm x 2)	.772	(19.6)	.394	(10.0)	.236	(6.0)	.291	(7.4)	.055	(1.4)	.335	(8.5)
04-13-20-N	SPT-2 (AWG #18) 3.5-6.8mm	.772	(19.6)	.559	(14.2)	.236	(6.0)	.420	(10.7)	.055	(1.4)	.465	(11.8)
04-13-30-N	5C-2V (8mm)	.772	(19.6)	.850	(21.6)	.256	(6.5)	.677	(17.2)	.087	(2.2)	.721	(18.3)

PACKAGING: (-10/-20) 500/bag  
(-30) 200/bag

14 SERIES

- Optical fiber/small cable holding
- Arrowhead mount
- Colors available



MATERIAL	NYLON 66
UL RATING	94V-2
UL FILE NO.	E53664
COLOR	NATURAL
ASTM	D 4066, PA111
RoHS COMPLIANCE	YES
TEMPERATURE RANGE (REF.)	-40 to 185°F (-40 to 85°C)
MR NUMBER	05

ITEM NO.	Holding Capacity Range Diameter (mm)	Mounting Hole Diam. inches (mm)	Panel Thickness inches (mm)	W <sub>1</sub>		W <sub>2</sub>		W <sub>3</sub>		L <sub>1</sub>		L <sub>2</sub>		L <sub>3</sub>	
				inches	(mm)	inches	(mm)	inches	(mm)	inches	(mm)	inches	(mm)	inches	(mm)
04-14-10-N	AWG #20 x 2 (1.7mm x 2)	.150 (3.8)	.020-.071 (.5-1.8)	.528	(13.4)	.228	(5.8)	.236	(6.0)	.083	(2.1)	.118	(3.0)	.201	(5.1)
04-14-20-N	SPT-2 (AWG #18) 3.5-6.8mm	.150 (3.8)	.020-.071 (.5-1.8)	.638	(16.2)	.354	(9.0)	.236	(6.0)	.083	(2.1)	.118	(3.0)	.205	(5.2)
04-14-30-N	5C-2V (8mm)	.189 (4.8)	.020-.078 (.5-2.0)	.843	(21.4)	.504	(12.8)	.315	(8.0)	.094	(2.4)	.197	(5.0)	.209	(5.3)

PACKAGING: (-10/-20) 500/bag  
(-30) 200/bag

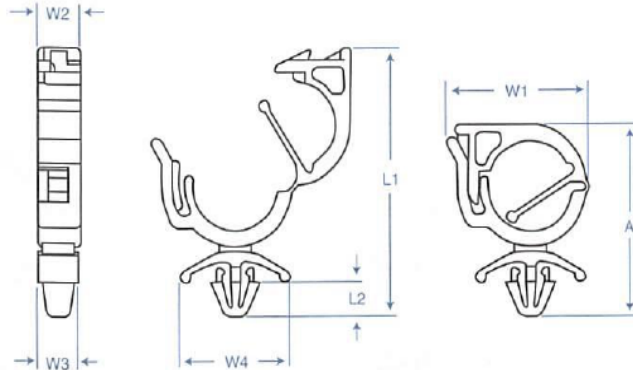


Get quote

## 15 SERIES



- Easy lock tension clip
- Arrowhead mount

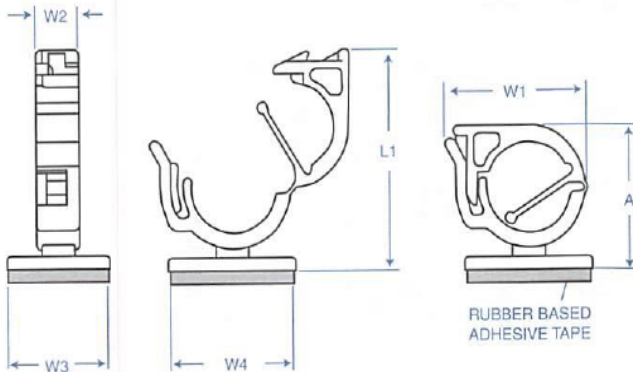


MATERIAL	NYLON 66
UL RATING	94V-2
UL FILE NO.	E53664
COLOR	NATURAL / WHITE
ASTM	D 4066, PA111
RoHS COMPLIANCE	YES
TEMPERATURE RANGE (REF.)	-40 to 185°F (-40 to 85°C)
MR NUMBER	05

ITEM NO.	Bundle Range	Mounting Hole Diam.	Panel Thickness	A	L <sub>1</sub>	L <sub>2</sub>	W <sub>1</sub>	W <sub>2</sub>	W <sub>3</sub>	W <sub>4</sub>	
UL94V-2	UL94V-0	inches (mm)	inches (mm)	inches (mm)	inches (mm)	inches (mm)	inches (mm)	inches (mm)	inches (mm)	inches (mm)	
04-15-60	04-15-60X	.158-.236 (4.0-6.0)	.158 (4.0)	.024-.063 (.6-1.6)	.735 (18.7)	1.02 (25.9)	.158 (4.0)	.551 (14.0)	.197 (5.0)	.189 (4.8)	.512 (13.0)
04-15-80	04-15-80X	.236-.315 (6.0-8.0)	.158 (4.0)	.024-.063 (.6-1.6)	.839 (21.3)	1.19 (30.2)	.158 (4.0)	.657 (16.7)	.197 (5.0)	.189 (4.8)	.512 (13.0)
04-15-100	04-15-100X	.315-.394 (8.0-10.0)	.189 (4.8)	.024-.079 (.6-2.0)	.988 (25.1)	1.39 (35.4)	.197 (5.0)	.787 (20.0)	.197 (5.0)	.221 (5.6)	.559 (14.2)

PACKAGING: 500/bag

## 16 SERIES



- Easy lock tension clip
- Adhesive mount

MATERIAL	NYLON 66
UL RATING	94V-2
UL FILE NO.	E53664
COLOR	NATURAL / WHITE
ASTM	D 4066, PA111
RoHS COMPLIANCE	YES
TEMPERATURE RANGE (REF.)	-40 to 185°F (-40 to 85°C)
MR NUMBER	05



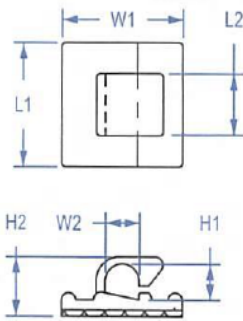
ITEM NO.	Bundle Range	A	L	W <sub>1</sub>	W <sub>2</sub>	W <sub>3</sub>	W <sub>4</sub>
UL94V-2	UL94V-0	inches (mm)	inches (mm)	inches (mm)	inches (mm)	inches (mm)	inches (mm)
04-16-60	04-16-60X	.158-.236 (4.0-6.0)	.528 (13.4)	.811 (20.6)	.551 (14.0)	.197 (5.0)	.472 (12.0)
04-16-80	04-16-80X	.236-.315 (6.0-8.0)	.630 (16.0)	.980 (24.9)	.657 (16.7)	.197 (5.0)	.591 (15.0)
04-16-100	04-16-100X	.315-.394 (8.0-10.0)	.752 (19.1)	1.16 (29.4)	.787 (20.0)	.197 (5.0)	.689 (17.5)

PACKAGING: 500/bag

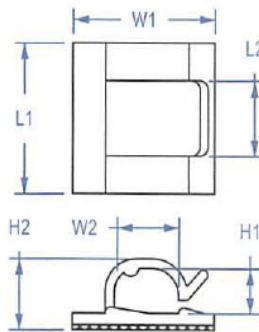


**09 SERIES**

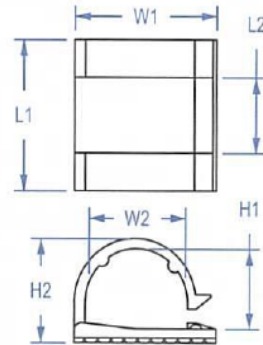
**04-09-108**



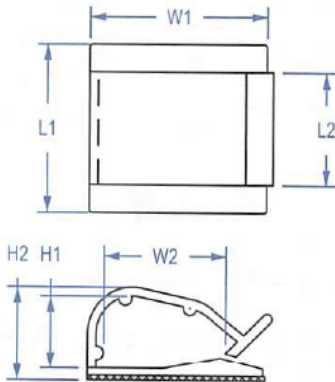
**04-09-208**



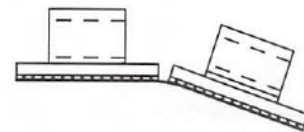
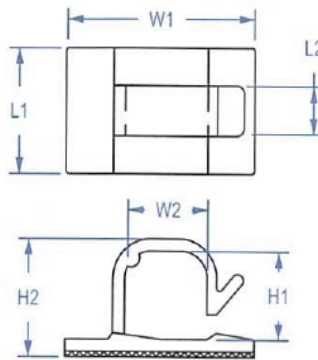
**04-09-308**



**04-09-408**



**04-09-508**



ALL PARTS FURNISHED TWO UP, ON ADHESIVE STRIP FOR EASY LINER RELEASE.

ITEM NO.	L1		L2		W1 Ref.		W2 Ref.		H1 Ref.		H2 Ref.		Max Bundle DIA.	
	In.	mm	In.	mm	In.	mm	In.	mm	In.	mm	In.	mm	In.	mm
04-09-108	.58	14.6	.34	8.6	.64	15.26	.18	4.6	.17	4.3	.30	7.6	.16	4.06
04-09-208	.99	25.14	.50	12.7	.99	25.1	.45	11.4	.28	7.11	.47	11.9	.28	7.11
04-09-308	.98	24.9	.49	12.4	1.00	25.4	.73	18.5	.52	13.2	.68	17.3	.53	13.46
04-09-408	1.10	27.9	.72	18.3	1.22	31	.91	23.1	.45	11.3	.62	15.7	.62	15.75
04-09-508	.62	15.9	.25	6.35	1.0	25.4	.46	11.6	.44	11.2	.59	15	.44	11.18

ALL DIMENSIONS ARE FOR REFERENCE ONLY.

**PACKAGING:** 500pcs/bag

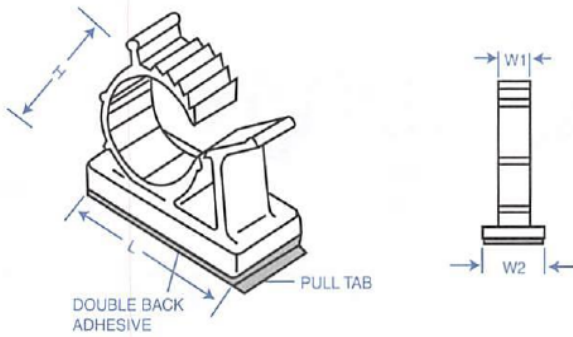
MATERIAL	NYLON 66
COLOR	NATURAL
ASTM	D 4066, PA0111
UL RATING	94V-2
UL FILE NO.	R70062
RoHS COMPLIANCE	YES
TEMPERATURE RANGE (REF.)	-40 to 185°F (-40 to 85°C)
MR NUMBER	15

ADHESIVE	RUBBER
CARRIER	POLYETHYLENE
THICKNESS	1/32
COLOR	WHITE
UL FILE NO.	MH15436
RoHS COMPLIANCE	YES
TEMPERATURE	32 to 167°F (0 to 75 °C)
MR NUMBER	10



Get quote >>

## 08 SERIES



- Adjusts to accommodate a variety of bundle diameters
- Smooth outer edge reduces stress to operator during initial assembly
- Locks securely yet releasable to remove or change bundles routed
- Adhesive backed

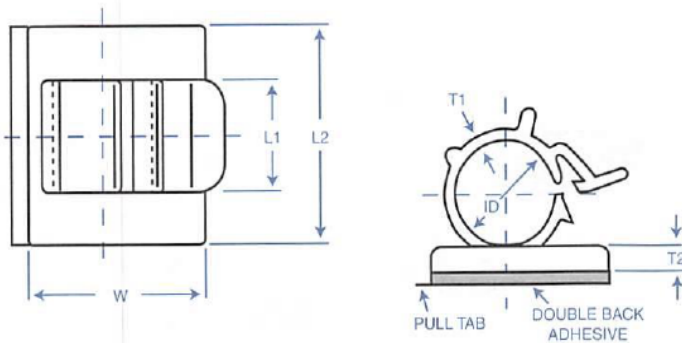
MATERIAL	NYLON 66
UL RATING	94V-2
UL FILE NO.	E53664
COLOR	NATURAL
ASTM	D 4066, PA111
RoHS COMPLIANCE	YES
TEMPERATURE RANGE (REF.)	-40 to 185°F (-40 to 85°C)
MR NUMBER	05



ITEM NO. UL94V-2	ITEM NO. UL94V-0	Bundle Dia. Range		L		W <sub>1</sub>		W <sub>2</sub>		H	
		inches	(mm)	inches	(mm)	inches	(mm)	inches	(mm)	inches	(mm)
04-08-108	04-08-108X	.311-.406	(7.9-10.3)	1.00	(25.4)	.402	(10.2)			.874	(22.2)
04-08-208	04-08-208X	.469-.563	(11.9-14.3)	1.25	(31.8)	.402	(10.2)	.752	(19.1)	1.09	(27.8)
04-08-308	04-08-308X	.579-.752	(14.7-19.1)	1.50	(38.1)	.500	(12.7)			1.25	(31.8)

PACKAGING: 100/bag

## 06 SERIES



- Adhesive backed base
- Extra wide pull tab on adhesive base is easy to remove; reduces mounting time
- Durable
- Universal applications



ITEM NO.	ID	L <sub>2</sub>		L <sub>1</sub>		W	T <sub>1</sub>		T <sub>2</sub>	
		inches	(mm)	inches	(mm)		inches	(mm)	inches	(mm)
04-06-5048	.177 (4.5)			.197 (5.0)	.472 (12.0)		.075 (1.9)			
04-06-5068	.256 (6.5)	.689 (17.5)		.276 (7.0)	.591 (15.0)	.035 (.9)	.091 (2.3)			
04-06-5088	.335 (8.5)			.354 (9.0)		.039 (1.0)	.098 (2.5)			
04-06-5108	.394 (10.0)	.866 (22.0)		.472 (12.0)	1.16 (29.5)	.047 (1.2)	.110 (2.8)			
04-06-5148	.551 (14.0)	.945 (24.0)		.512 (13.0)		.059 (1.5)	.118 (3.0)			
04-06-5188	.709 (18.0)	1.06 (27.0)		.551 (14.0)						
04-06-5258	.984 (25.0)	1.34 (34.0)		.689 (17.5)	.177 (45.0)					
Tolerance ±					.012 (.3)					

MATERIAL	NYLON 66
UL RATING	94V-2
UL FILE NO.	E53664
COLOR	GRAY
ASTM	D 4066, PA111
RoHS COMPLIANCE	YES
TEMPERATURE RANGE (REF.)	-40 to 185°F (-40 to 85°C)
MR NUMBER	05

PACKAGING: 100/bag (04-06-5048 - 04-06-5088)  
50/bag (04-06-5108 - 04-06-5258)



17 SERIES  
18 SERIES

- Split routing clip

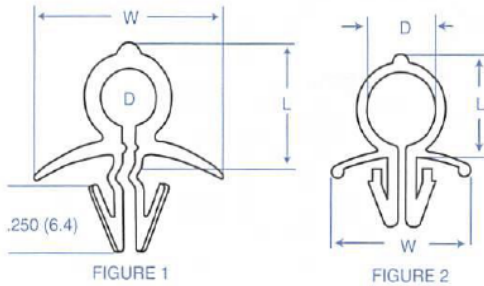


FIGURE 1

FIGURE 2

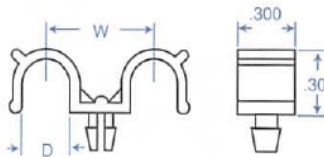


FIGURE 3

MATERIAL 17-220	NYLON 66
UL RATING	94V-2
UL FILE NO.	R70062
COLOR	NATURAL
ASTM	D 4066, PA111
RoHS COMPLIANCE	YES
TEMPERATURE RANGE (REF.)	-40 to185°F (-40 to 85°C)
MR NUMBER	01

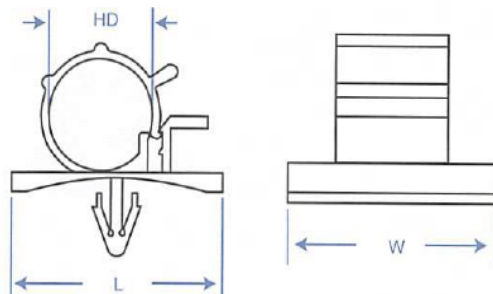
MATERIAL 17-250, 18-40	NYLON 66
UL RATING	94V-2
UL FILE NO.	R70062
COLOR	NATURAL
ASTM	D 4066, PA111
RoHS COMPLIANCE	YES
TEMPERATURE RANGE (REF.)	-40 to185°F (-40 to 85°C)
MR NUMBER	13

ITEM NO.	Mounting Hole Dia. inches (mm)	Panel Thickness inches (mm)	"D" inches (mm)	W inches (mm)	L (REF) inches (mm)	Fig. No.
04-17-220	.250 (6.4)	.062-.093 (1.6-2.3)	.224 (5.7)	.786 (19.9)	.500(12.7)	1
04-17-250	.250 (6.4)	.031-.062 (.8-1.6)	.295 (7.5)	.590 (14.9)	.454 (11.5)	2
04-18-40	.125 (3.2)	.062 (1.6)	.250 (6.4)	.543 (13.8)		3

PACKAGING: 1000/bag

19 SERIES

- Push mount locking clips



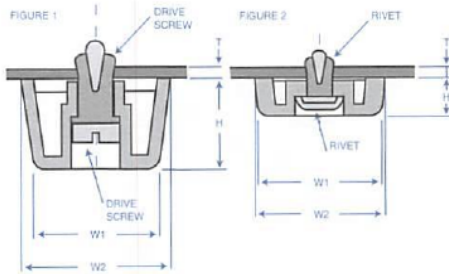
MATERIAL	NYLON 66
UL RATING	94V-2
UL FILE NO.	R70062
COLOR	GREY
ASTM	D 4066, PA111
RoHS COMPLIANCE	YES
TEMPERATURE RANGE (REF.)	-40 to185°F (-40 to 85°C)
MR NUMBER	13

ITEM NO. UL94V-2	HD (MAX) inches (mm)	Mounting Hole Dia. inches (mm)	Panel Thickness inches (mm)	L inches (mm)	W inches (mm)
04-19-40	.275 (7.0)			.985 (25.0)	.787 (20.0)
04-19-50	.315 (8.0)			.985 (25.0)	.787 (20.0)
04-19-60	.393 (10.0)	.187 (4.8)	.031-.093 (.8-2.4)	1.18 (30.0)	.965 (24.5)
04-19-80	.551 (14.0)			1.18 (30.0)	.965 (24.5)
04-19-110	.709 (18.0)			1.18 (30.0)	.965 (24.5)

PACKAGING: 100/bag



00 SERIES



- Two-piece part supplied pre-assembled
- Reduces vibration and movement of appliances and equipment
- Install easily by hand and remove with tool/ screwdriver
- RoHS compliant



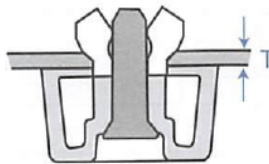
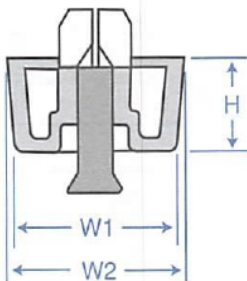
<b>MATERIAL</b> UL94HB (drive screw)	<b>MATERIAL</b> UL94V-2 (rivet)	<b>MATERIAL</b> UL94V-2 (body)
<b>UL YELLOW</b> CARD FILE #: E66288(A)	E47924(M)	E67827

PACKAGING: 200/bag

ITEM NO.	W1		W2		H		T		Mounting Hole Dia.	Fig. No.	
	inches	(mm)	inches	(mm)	inches	(mm)	Board Thickness	inches			(mm)
05-00-003	.530	(13.5)	.560	(14.2)	.220	(5.5)	.031-.071	(.8-1.8)	.122-.126	(3.1-3.2)	2
05-00-001	.787	(20.0)	.945	(24.0)	.551	(14.0)	.039-.091	(1.0-2.3)	.197	(5.0)	1
05-00-004	.709	(18.0)	.787	(20.0)	.394	(10.0)					
05-00-015	1.10	(28.0)	1.18	(30.0)	.591	(15.0)	.032-.071	(.8-1.8)	.161	(4.1)	2
05-00-005	.787	(20.0)	.827	(21.0)	.165	(4.2)					
05-00-008					.236	(6.0)	.032-.075	(.8-1.9)			
05-00-009					.315	(8.0)	.032-.079	(.8-2.0)			
05-00-006	.551	(14.0)	.591	(15.0)	.236	(6.0)	.039-.079	(1.0-2.0)	.161-.165	(4.1-4.2)	
05-00-010	.787	(20.0)	.827	(21.0)	.315	(8.0)	.075-.110	(1.9-2.8)			

<b>ITEM NO.</b> 05-00-Series	
<b>COLOR:</b>	Black
<b>PACKAGING:</b>	200/bag
<b>MATERIAL:</b>	Ethylene Vinyl Acetate Copolymer (body) Delrin (drive screw) Nylon 6 (rivet)

01 SERIES



- Two-piece part supplied pre-assembled
- Reduces vibration and movement of appliances and equipment
- Install easily by hand and remove with tool/ screwdriver
- Material (body): (E80017)
- RoHS compliant

ITEM NO.	W1		W2		H		T		Mounting Hole Dia.	
	inches	(mm)	inches	(mm)	inches	(mm)	Board Thickness	inches	(mm)	inches
05-01-018	.709	(18.0)	.787	(20.0)	.394	(10.0)	.031-.059	(.8-1.5)	.303	(7.7)
05-01-021	.787	(20.0)	.827	(21.0)	.236	(6.0)	.197-.315	(5.0-8.0)	.303	(7.7)
05-01-023	.906	(23.0)	.984	(25.0)	.197	(5.0)	.031-.059	(.8-1.5)	.299	(7.6)
05-01-028	.709	(18.0)	.787	(20.0)	.591	(15.0)	.031-.059	(.8-1.5)	.303	(7.7)

PACKAGING: 200/bag

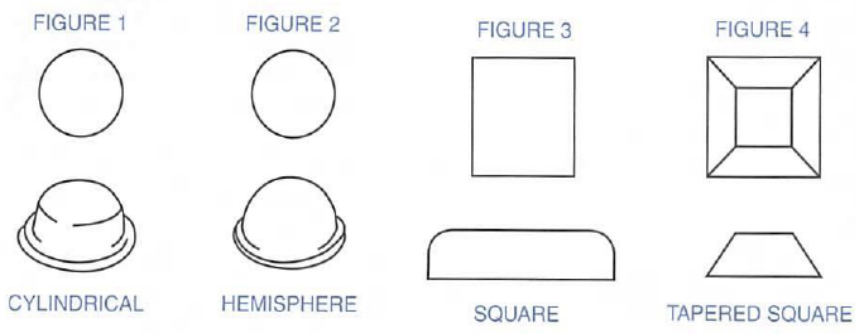


<b>ITEM NO.</b> 05-01-Series	
<b>COLOR:</b>	Black
<b>PACKAGING:</b>	200/bag
<b>MATERIAL:</b>	Santoprene (body) Polypropylene (pin)



02 SERIES

- Adhesive backed urethane bumpers on pads
- Scratch, skid and vibration resistant
- For optimum adhesion, surface must be clean, dry and free of grease and dust
- Isopropyl alcohol is recommended as a cleaning agent.
- Application temperature range: 50 to 100°F (10 to 38 °C)



ITEM NO.	Diameter inches (mm)	Height inches (mm)	Style	Adhesive Type	Colors Available	Pack Size	Fig. No.
05-02-108	.312 (7.9)	.085 (2.2)	Cylindrical	Clear (Rubber) Black (Acrylic)	Clear - Black	750/bag - 7500/ctn.	1
05-02-118	.500 (12.7)	.140 (3.6)		Rubber Based	White - Clear - Black	500/bag - 5000/ctn.	
05-02-120	.500 (12.7)	.250 (6.4)		Rubber Based	White	500/bag - 5000/ctn.	
05-02-138	.750 (19.1)	.160 (4.1)		Rubber Based	Black	500/bag - 2500/ctn.	
05-02-128	.375 (9.5)	.150 (3.8)	Hemisphere	Rubber Based	Clear	500/bag - 5000/ctn.	2
05-02-208	.437 (11.1)	.200 (5.1)			White - Clear - Black	500/bag - 5000/ctn.	
05-02-408	.500 (12.7)	.120 (3.1)	Square		Black	500/bag - 5000/ctn.	3
05-02-418	.500 (12.7)	.230 (5.8)	Tapered Square	Rubber Based	Black	500/bag - 5000/ctn.	4
05-02-518	.800 (20.3)	.300 (7.6)		Acrylic	Black	2100/ctn.	

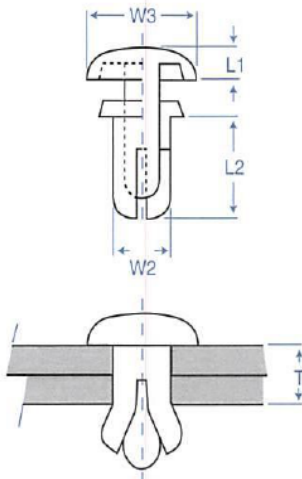


MATERIAL	POLYURETHANE
COLOR	CLEAR / PIGMENTED
UL RATING	94-HB
UL FILE NO.	83785
RoHS COMPLIANCE	YES
TEMPERATURE RANGE (REF.)	-32 to 120°F (0 to 50°C)
MR NUMBER	18
ADHESIVE	RUBBER BASED
THICKNESS	.002 (0.05mm)
COLOR	CLEAR
PEEL ADHESION	70 Oz/In Typical
SHEAR ADHESION	>240 Minutes to fail. 500gr. Load
TEMPERATURE RANGE	-20 to 140 °F ( -29 to 60°C)
DWELL TIME (Before use)	15 Minutes Minimum
MR NUMBER	19
ADHESIVE	ACRYLIC BASED
THICKNESS	.002 (0.05mm)
COLOR	CLEAR
PEEL ADHESION	34 Oz/In Typical
SHEAR ADHESION	>1440 Minutes to fail. 1000gr. Load
TEMPERATURE RANGE	-20 to 140 °F ( -29 to 60°C)
DWELL TIME (Before use)	24 Hours
MR NUMBER	20



Get quote »

01 SERIES



- Installs easily by hand; press and lock into place
- Pull top to release

MATERIAL	NYLON 66
UL RATING	94V-2
UL FILE NO.	E41938
COLOR	BLACK*
ASTM	D 4066, PA111
RoHS COMPLIANCE	YES
TEMPERATURE RANGE (REF.)	-40 to 185°F (-40 to 85°C)
MR NUMBER	12

\*Other colors available; inquiries welcome

ITEM NO. UL94V-2	Mounting Hole Diam.		Extraction Force LBS (KG)	T Panel Thickness		W <sub>3</sub>	L <sub>1</sub>	L <sub>2</sub>	W <sub>2</sub>															
	inches	(mm)		inches	(mm)					inches	(mm)	inches	(mm)											
06-01-2024	.083	(2.1)	6.6 Min. (3 Min.)	.024 (0.6)-.047 (1.2)		.165	(4.2)	.047	(1.2)	.09	(2.4)													
06-01-2032				.051 (1.3)-.079 (2.0)								.13	(3.2)											
06-01-2040				.083 (2.1)-.110 (2.8)										.16	(4.0)									
06-01-2048				.114 (2.9)-.142 (3.6)												.19	(4.8)							
06-01-2064				.173(4.4)-.197 (5.0)														.25	(6.4)					
06-01-2632	.102	(2.6)	11.0 Min. (5 Min.)	.039 (1.0)-.079 (2.0)		.197	(5.0)	.055	(1.4)	.13	(3.2)													
06-01-2642				.079 (2.0)-.118 (3.0)								.17	(4.2)											
06-01-2648				.106 (2.7)-.142 (3.6)										.19	(4.8)									
06-01-2655				.134 (3.4)-.169 (4.3)												.22	(5.5)							
06-01-3035				.039 (1.0)-.079 (2.0)														.14	(3.5)					
06-01-3045	.079 (2.0)-.118 (3.0)		.18	(4.5)	.22	(5.5)	.118	(3.0)																
06-01-3055	.118 (3.0)-.157 (4.0)								.26	(6.5)														
06-01-3065	.157 (4.0)-.197 (5.0)										.30	(7.5)												
06-01-3075	.197 (5.0)-.236 (6.0)												.31	(8.0)										
06-01-3080	.217 (5.5)-.256 (6.5)														.35	(9.0)								
06-01-3090	.256 (6.5)-.295 (7.5)																.39	(10.0)						
06-01-3100	.295 (7.5)-.335 (8.5)																		.063	(1.6)				
06-01-3535	.047 (1.2)-.083 (2.1)																				.14	(3.5)		
06-01-3545	.083 (2.1)-.118 (3.0)																						.18	(4.5)
06-01-3550	.106 (2.7)-.142 (3.6)																							
06-01-3555	.142	(3.6)	26.4 Min. (12 Min.)	.118 (3.0)-.157 (4.0)		.138	(3.5)	.22	(5.5)															
06-01-3560				.146 (3.7)-.181 (4.6)						.24	(6.0)													
06-01-3570				.177 (4.5)-.217 (5.5)								.28	(7.0)											
06-01-3580				.217 (5.5)-.256 (6.5)										.31	(8.0)									
06-01-4050				.098 (2.5)-.138 (3.5)												.20	(5.0)							
06-01-4060	.138 (3.5)-.177 (4.5)		.24	(6.0)																				
06-01-4070	.177 (4.5)-.217 (5.5)				.28	(7.0)																		
06-01-4080	.217 (5.5)-.256 (6.5)						.31	(8.0)																
06-01-4090	.256 (6.5)-.295 (7.5)								.35	(9.0)														
06-01-4100	.295 (7.5)-.335 (8.5)										.39	(10.0)												
06-01-5045	.059 (1.5)-.098 (2.5)												.18	(4.5)										
06-01-5055	.098 (2.5)-.138 (3.5)														.22			(5.5)						
06-01-5065	.138 (3.5)-.177 (4.5)																		.26	(6.5)				
06-01-5075	.177 (4.5)-.217 (5.5)																				.30	(7.5)		
06-01-5085	.217 (5.5)-.256 (6.5)		.33	(8.5)																				
06-01-5095	.256 (6.5)-.295 (7.5)				.37	(9.5)																		
06-01-5105	.295 (7.5)-.335 (8.5)						.41	(10.5)																
06-01-6060	.098 (2.5)-.157 (4.0)								.24	(6.0)														
06-01-6080	.138 (3.5)-.217 (5.5)										.31	(8.0)												

Add (W) to end of part number for white

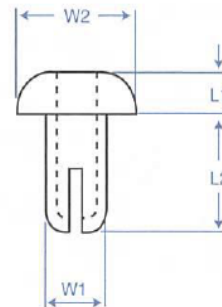
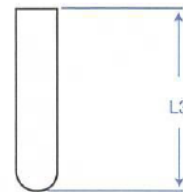
PACKAGING: 1000/bag



Get quote >>

00 SERIES

- Insert and lock into place
- Cost effective



MATERIAL	NYLON 66*
UL RATING	94V-2
UL FILE NO.	E53664
COLOR	BLACK**
ASTM	D 4066, PA111
RoHS COMPLIANCE	YES
TEMPERATURE RANGE (REF.)	-40 to 185°F (-40 to 85°C)
MR NUMBER	05

\*\*Other colors available; inquiries welcome

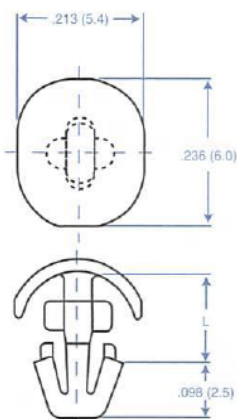
\* (06-00-4850 & 06-00-6060) Material is Polyethylene

ITEM NO. UL94V-2	Mounting Hole Dia. inches (mm)	L <sub>1</sub>		L <sub>2</sub>		L <sub>3</sub>		W <sub>1</sub>		W <sub>2</sub>		T Panel Thickness inches (mm)		Extraction Force lb (kg)
		inches (mm)	mm	inches (mm)	mm	inches (mm)	mm	inches (mm)	mm	inches (mm)	mm	inches (mm)	mm	
06-00-3055	.122 (3.1)	.079 (2.0)	.217 (5.5)	.346 (8.8)	.118 (3.0)	.228 (5.8)	.118-158 (3.0-4.0)	≥ .315 (8.0)						
06-00-4045	.161 (4.1)	.118 (3.0)	.177 (4.5)	.335 (8.5)	.158 (4.0)	.315 (8.0)	.079-118 (2.0-3.0)	≥ .906 (23.0)						
*06-00-4850	.189 (4.8)	.126 (3.2)	.197 (5.0)	.413 (10.5)	.189 (4.8)	.386 (9.8)	.047-118 (1.2-3.0)	≥ .787 (20.0)						
06-00-5050	.201 (5.1)	.071 (1.8)	.197 (5.0)	.374 (9.5)	.197 (5.0)	.315 (8.0)	.079-118 (2.0-3.0)	≥ 1.77 (45.0)						
06-00-5060		.110 (2.8)	.236 (6.0)	.421 (10.7)		.118-158 (3.0-4.0)								
06-00-5070		.276 (7.0)	.453 (11.5)	.158-197 (4.0-5.0)										
06-00-5080		.315 (8.0)	.492 (12.5)	.197-236 (5.0-6.0)										
06-00-5090		.354 (9.0)	.610 (15.5)	.236-276 (6.0-7.0)										
06-00-5115		.150 (3.8)	.453 (11.5)	.276-335 (7.0-8.5)										
*06-00-6060	.240 (6.1)	.063 (1.6)	.236 (6.0)	.374 (9.5)	.236 (6.0)	.433 (11.0)	.098-158 (2.5-4.0)	≥ 1.18 (30.0)						
06-00-8515	.339 (8.6)	.217 (5.5)	.610 (15.5)	.827 (21.0)	.335 (8.5)	.669 (17.0)	.276-433 (6.0-11.0)	≥ 1.97 (50.0)						
06-00-8521		.827 (21.0)	1.04 (26.5)	.472-669 (12.0-17.0)										

PACKAGING: 1000/bag

02 SERIES

- Installs easily by hand
- Barbed arrowhead design locks securely into position
- Releasable from underside of chassis



MATERIAL	NYLON 66
UL RATING	94V-2
UL FILE NO.	E53664
COLOR	BLACK
ASTM	D 4066, PA111
RoHS COMPLIANCE	YES
TEMPERATURE RANGE (REF.)	-40 to 185°F (-40 to 85°C)
MR NUMBER	05

ITEM NO. UL94V-2	L		Panel Thickness		HD Hole Diameter inches (mm)	Insertion Force lb. (kg)	Extraction Force lb. (kg)
	inches (mm)	mm	inches (mm)	mm			
06-02-32025	.114 (2.9)	.079-.098 (2.0-2.5)	.118 (3.0)	.059-.098 (1.5-2.5)	≥ .354 (9.0)		
06-02-32530	.134 (3.4)	.098-.118 (2.5-3.0)					

PACKAGING: 500/bag



Get quote

06 SERIES

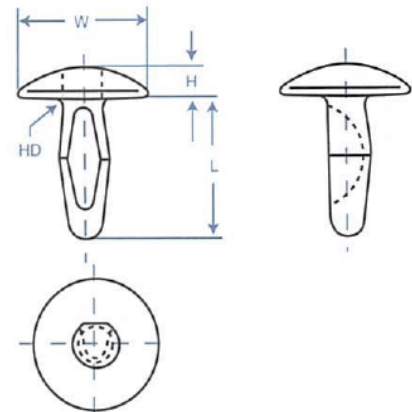


- Mounting buttons
- Installs easily by hand
- Snaps securely in place and is suitable for a variety of panel materials; i.e., plastic, metal, etc.
- Attractive button head

MATERIAL	NYLON 66
UL RATING	94V-2
UL FILE NO.	E41938
COLOR	NATURAL
ASTM	D 4066, PA111
RoHS COMPLIANCE	YES
TEMPERATURE RANGE (REF.)	-40 to 185°F (-40 to 85°C)
MR NUMBER	12

ITEM NO. UL94V-2	(HD) Hole Diam. Range		Panel Thickness Range		L		W		H	
	inches	(mm)	inches	(mm)	inches	(mm)	inches	(mm)	inches	(mm)
06-06-105	.120-.135	(3.0-3.45)	.062-.125	(1.6-3.2)	.330	(8.4)	.270	(6.9)	.040	(1.0)
06-06-110	.182-.192	(4.6-4.9)	.062-.125	(1.6-3.2)	.400	(10.2)	.360	(9.1)	.060	(1.5)
06-06-140	.131-.141	(3.3-3.6)	.115-.160	(2.9-4.1)	.437	(11.1)	.406	(10.3)	.100	(2.5)
06-06-160	.151-.161	(3.8-4.1)	.062-.125	(1.6-3.2)	.390	(9.9)	.280	(7.1)	.040	(1.0)
06-06-210	.182-.192	(4.6-4.9)	.165-.185	(4.2-4.7)	.525	(13.3)	.375	(9.5)	.060	(1.5)
06-06-230	.250-.260	(6.4-6.6)	.125-.187	(3.2-4.8)	.575	(14.6)	.484	(12.3)	.060	(1.5)
06-06-250	.250-.260	(6.4-6.6)	.125-.250	(3.2-6.4)	.630	(16.0)	.500	(12.7)	.050	(1.3)

PACKAGING: 1000/bag



09 SERIES

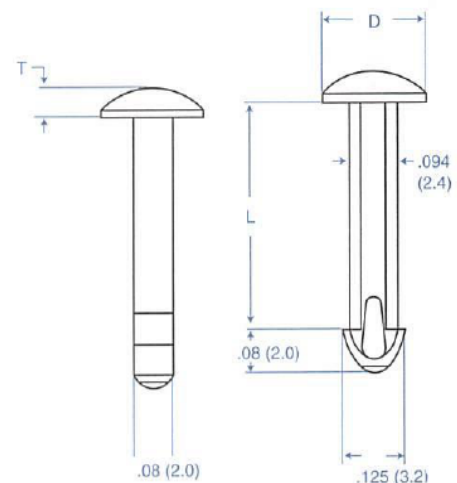
- Snap-lock rivet
- Tear drop base



MATERIAL 17-220	NYLON 66
UL RATING	94V-2
UL FILE NO.	R70062
COLOR	NATURAL
ASTM	D 4066, PA111
RoHS COMPLIANCE	YES
TEMPERATURE RANGE (REF.)	-40 to 185°F (-40 to 85°C)
MR NUMBER	01

ITEM NO. UL94V-2	L		Mounting Hole Diameter		T		D	
	inches	(mm)	inches	(mm)	inches	(mm)	inches	(mm)
06-09-2177	.177	(4.5)			.050	(1.3)	.200	(5.2)
06-09-2307	.307	(7.8)	.098	(2.5)				
06-09-2413	.413	(10.5)						

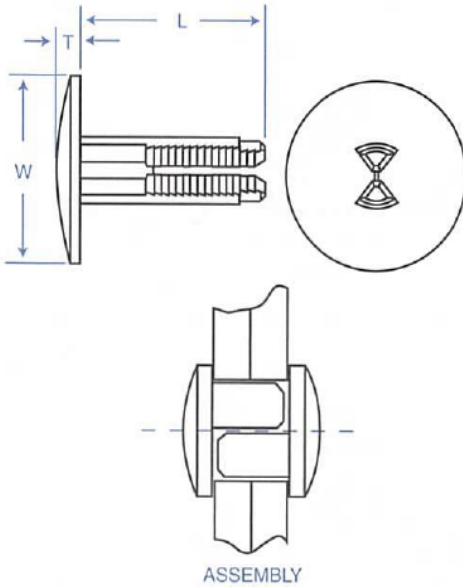
PACKAGING: 1000/bag



Get quote »

07 SERIES

- Mating rivets (need 2 pieces per assembly)
- Holds flat panels in assortment of materials
- Serrated teeth allow adjustments for a variety of panel thicknesses



MATERIAL	NYLON 66
UL RATING	94V-2
UL FILE NO.	E41938
COLOR	NATURAL
ASTM	D 4066, PA111
RoHS COMPLIANCE	YES
TEMPERATURE RANGE (REF.)	-40 to 185°F (-40 to 85°C)
MR NUMBER	12

ITEM NO.	Hole Diam. inches (mm)	L inches (mm)	W inches (mm)	T inches (mm)	Assembled Panel Thickness Range inches (mm)
06-07-110	.281 (7.14)	.226 (5.74)	.406 (10.31)	.062 (1.57)	.235-.297 (5.97-7.54)
06-07-120		.344 (8.74)			.346-.500 (8.79-12.7)
06-07-130		.488 (12.40)			.500-.812 (12.7-20.6)
06-07-140		.768 (19.51)			.780-1.38 (19.8-35.1)
06-07-210	.281 (7.14)	.226 (5.74)	.750 (19.1)	.093 (2.36)	.235-.297 (5.97-7.54)
06-07-220		.334 (8.74)			.346-.500 (8.79-12.7)
06-07-230		.488 (12.40)			.500-.812 (12.7-20.6)
06-07-240		.768 (19.51)			.780-1.38 (19.8-35.1)

PACKAGING: 1000/bag (500 sets/bag)

08 SERIES

- Barbed rivets
- Ribs provide secure lock

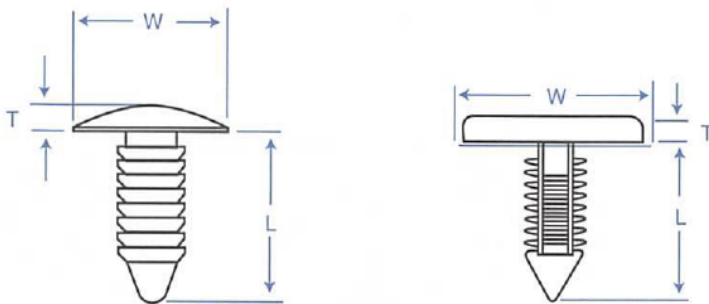


FIGURE 1

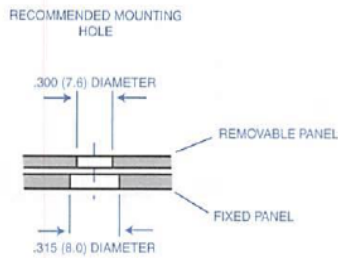
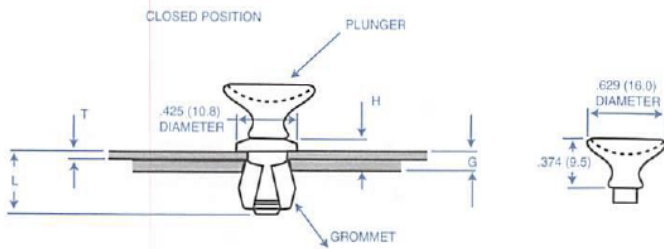
MATERIAL	NYLON 66
UL RATING	94V-2
UL FILE NO.	E41938
COLOR	NATURAL / BLACK
ASTM	D 4066, PA111
RoHS COMPLIANCE	YES
TEMPERATURE RANGE (REF.)	-40 to 185°F (-40 to 85°C)
MR NUMBER	12

ITEM NO.	Hole Diam. inches (mm)	Panel Thickness Range inches (mm)	W inches (mm)	T inches (mm)	L inches (mm)	Fig. No.
06-08-10-N 06-08-10-Bk	.250 (6.4)	.155-.530 (3.8-13.5)	.698 (17.8)	.105 (2.7)	.780 (18.9)	1
06-08-20-N 06-08-20-Bk	.280 (7.15)	.095-.501 (2.4-12.7)	.628 (15.9)	.108 (2.8)	.892 (22.6)	
06-08-30-N 06-08-30-Bk	.187 (4.8)	.024-.367 (.64-9.3)	.377 (9.5)	.071 (1.8)	.500 (12.7)	
06-08-40-N 06-08-40-Bk	.187 (4.8)	.029-.332 (.76-8.4)	.433 (11.0)	.069 (1.7)	.564 (14.3)	2

PACKAGING: 1000/bag



03 SERIES



- Plunger style rivet
- Easy to grip
- Tamperproof
- Two mating parts required (plunger & grommet)

MATERIAL	NYLON 66**
UL RATING	94V-2
UL FILE NO.	E53664
COLOR	BLACK*
ASTM	D 4066, PA111
RoHS COMPLIANCE	YES
TEMPERATURE RANGE (REF.)	-40 to 185°F (-40 to 85°C)
MR NUMBER	05

\*Also available in white - inquiries welcome  
 \*\*Other materials available - inquiries welcome

ITEM NO. Plunger	ITEM NO. Grommet	L		H		T		G Panel Thickness Range	
		inches	(mm)	inches	(mm)	inches	(mm)	inches	(mm)
06-03-2004	06-03-2104	.386	(9.8)	.079	(2.0)	.059	(1.5)	.075-.165	(1.9-4.2)
06-03-2005	06-03-2105	.429	(10.9)			.098	(2.5)	.118-.205	(3.0-5.2)
06-03-2006	06-03-2106	.484	(12.3)			.161	(4.1)	.181-.272	(4.6-6.9)
06-03-2007	06-03-2107	.528	(13.4)			.209	(5.3)	.228-.319	(5.8-8.1)

Other head styles available - inquiries welcome

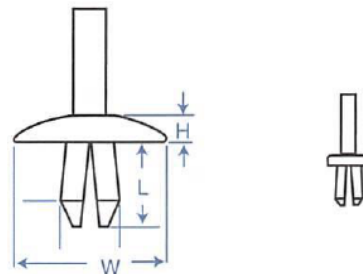


PACKAGING: 1000/bag

04 SERIES



- Snap locks into hole by hand
- Prongs expand to hold a permanent lock



MATERIAL	NYLON 66
UL RATING	94V-2
UL FILE NO.	E41938
COLOR	NATURAL
ASTM	D 4066, PA111
RoHS COMPLIANCE	YES
TEMPERATURE RANGE (REF.)	-40 to 185°F (-40 to 85°C)
MR NUMBER	12

ITEM NO. UL94V-2	Hole Diameter inches (mm)	L		W		H		Panel Thickness Range	
		inches	(mm)	inches	(mm)	inches	(mm)	inches	(mm)
06-04-100	.187 (4.8)	.295	(7.5)	.435	(11.0)	.075 (1.9)	.062-.187 (1.6-4.8)	.156-.281 (3.9-7.1)	.312-.440 (2.9-11.2)
06-04-200		.380	(9.7)	.435	(11.0)				
06-04-300		.535	(13.6)	.281	(7.1)				
06-04-400	.250 (6.4)	.620 (15.8)	.468 (11.9)	.080 (2.0)	.281-.500 (7.1-12.7)				

PACKAGING: 500/bag



Get quote »

12 SERIES  
13 SERIES  
14 SERIES

- Non-stacking screw insulating spacer

FIG.1 07-12

.187±.003 (4.7±0.08) HOLE DIA  
.062 (1.6) MATERIAL THICKNESS.

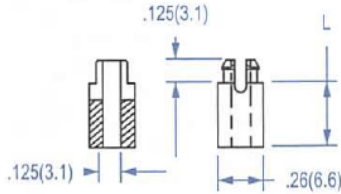


FIG.2 07-13

.234±.003 (5.9±0.08) HOLE DIA  
.062 (1.6) MATERIAL THICKNESS.

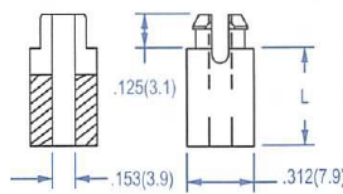
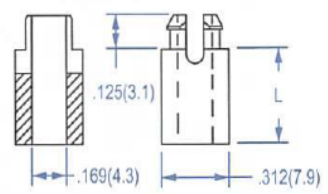


FIG.3 07-14

.234±.003 (5.9±0.08) HOLE DIA  
.062 (1.6) MATERIAL THICKNESS.



TYPICAL APPLICATION

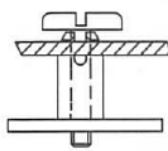


FIG 1 #4 SCREW ITEM NO.	FIG 2 #6 SCREW ITEM NO.	FIG 3 #8 SCREW ITEM NO.	L ±.015 (0.38)	
			In.	mm
07-12-20	07-13-20	07-14-20	.125	3.2
07-12-30	07-13-30	07-14-30	.187	4.8
07-12-40	07-13-40	07-14-40	.250	6.4
07-12-50	07-13-50	07-14-50	.312	7.9
07-12-60	07-13-60	07-14-60	.375	9.5
07-12-70	07-13-70	07-14-70	.437	11.1
07-12-80	07-13-80	07-14-80	.500	12.7
07-12-100	07-13-100	07-14-100	.625	15.9
07-12-120	07-13-120	07-14-120	.750	19
07-12-140	07-13-140	07-14-140	.875	22.2
07-12-160	07-13-160	07-14-160	1.00	25.4

PACKAGING: 1000pcs/bag

15 SERIES  
16 SERIES  
17 SERIES

- Stackable screw insulating spacer

FIG.4 07-15

.187±.003 (4.7±0.08) HOLE DIA  
.062 (1.6) MATERIAL THICKNESS.

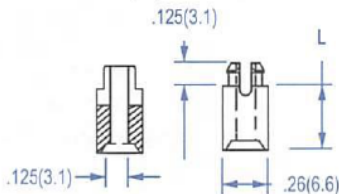


FIG.5 07-16

.234±.003 (5.9±0.08) HOLE DIA  
.062 (1.6) MATERIAL THICKNESS.

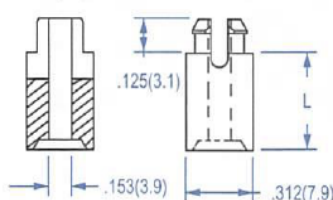
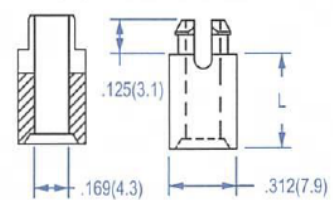


FIG.6 07-17

.234±.003 (5.9±0.08) HOLE DIA  
.062 (1.6) MATERIAL THICKNESS.



TYPICAL APPLICATION

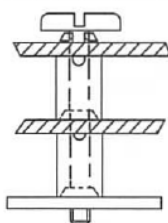


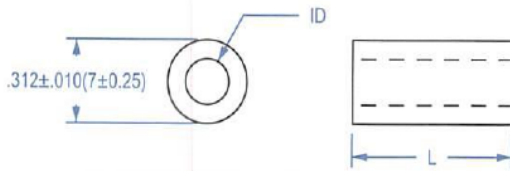
FIG 4 #4 SCREW ITEM NO.	FIG 5 #6 SCREW ITEM NO.	FIG 6 #8 SCREW ITEM NO.	L ±.015 (0.38)	
			In.	mm
07-15-20	07-16-20	07-17-20	.125	3.2
07-15-30	07-16-30	07-17-30	.187	4.8
07-15-40	07-16-40	07-17-40	.250	6.4
07-15-50	07-16-50	07-17-50	.312	7.9
07-15-60	07-16-60	07-17-60	.375	9.5
07-15-70	07-16-70	07-17-70	.437	11.1
07-15-80	07-16-80	07-17-80	.500	12.7
07-15-100	07-16-100	07-17-100	.625	15.9
07-15-120	07-16-120	07-17-120	.750	19
07-15-140	07-16-140	07-17-140	.875	22.2
07-15-160	07-16-160	07-17-160	1.00	25.4

PACKAGING: 1000pcs/bag

MATERIAL	NYLON 66	
UL RATING	94V-2	
UL FILE NO.	R70062	
COLOR	NATURAL	UL94V-0 MATERIAL AVAILABLE UPON REQUEST.
ASTM	D 4066, PA111	TO ORDER ADD SUFFIX "X" TO ITEM NUMBER
RoHS COMPLIANCE	YES	
TEMPERATURE RANGE (REF.)	-40 to 185°F (-40 to 85°C)	
MR NUMBER	01	



## 1 1 SERIES

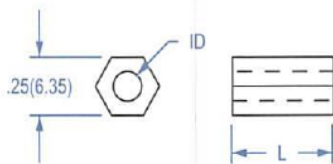


- 5/16" O.D. Round Spacer
- Non-Threaded

NO. 4 SCREW (M2.5) ID = .128 ± .007 (3.25 ± 0.18)	NO. 6 SCREW (M3) ID = .149 ± .007 (3.78 ± 0.18)	FOR NO.8 SCREW (M4) ID = .177 ± .007 (4.50 ± 0.18)	NO.10 SCREW (M4.5) ID = .201 ± .007 (5.1 ± 0.18)	DIM. L		DIMENSION L TOLERANCE
				Inches	mm.	
ITEM NO.	ITEM NO.	ITEM NO.	ITEM NO.			
07-11-4125	07-11-6125	07-11-8125	07-11-10125	1/8	3.2	±.007 (0.18)
07-11-4187	07-11-6187	07-11-8187	07-11-10187	3/16	4.8	
07-11-4250	07-11-6250	07-11-8250	07-11-10250	1/4	6.4	
07-11-4312	07-11-6312	07-11-8312	07-11-10312	5/16	7.9	
07-11-4375	07-11-6375	07-11-8375	07-11-10375	3/8	9.5	
07-11-4437	07-11-6437	07-11-8437	07-11-10437	7/16	11.1	±.010 (0.25)
07-11-4500	07-11-6500	07-11-8500	07-11-10500	1/2	12.7	
07-11-4562	07-11-6562	07-11-8562	07-11-10562	9/16	14.3	
07-11-4625	07-11-6625	07-11-8625	07-11-10625	5/8	15.9	
07-11-4687	07-11-6687	07-11-8687	07-11-10687	11/16	17.5	
07-11-4750	07-11-6750	07-11-8750	07-11-10750	3/4	19.1	±.015 (0.38)
07-11-4812	07-11-6812	07-11-8812	07-11-10812	13/16	20.6	
07-11-4875	07-11-6875	07-11-8875	07-11-10875	7/8	22.2	
07-11-4937	07-11-6937	07-11-8937	07-11-10937	15/16	23.8	
07-11-41000	07-11-61000	07-11-81000	07-11-101000	1.00	25.4	
07-11-41125	07-11-61125	07-11-81125	07-11-101125	1 1/16	26.97	
07-11-41250	07-11-61250	07-11-81250	07-11-101250	1.125	28.58	

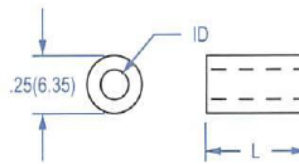
PACKAGING: 1000pcs/bag

## 03 SERIES 04 SERIES 05 SERIES



- 1/4" Hex Non-Threaded

## 06 SERIES 07 SERIES 08 SERIES



- 1/4" Round Non-Threaded

LENGTH "L"	NO. 4 SCREW (M2.5)	NO. 6 SCREW (M3)	NO. 8 SCREW (M4)	NO 4 SCREW (M2.5)	NO 6 SCREW (M3)	NO. 8 SCREW (M4)
	ID=.128 (3.18)	ID=.147 (3.73)	ID=.177 (4.5)	ID=.128 (3.18)	ID=.147 (3.73)	ID=.177 (4.5)
Inches mm	ITEM NUMBER	ITEM NUMBER	ITEM NUMBER	ITEM NUMBER	ITEM NUMBER	ITEM NUMBER
.125 3.18	07-03-4125	07-04-6125	07-05-8125	07-06-4125	07-07-6125	07-08-8125
.250 6.35	07-03-4250	07-04-6250	07-05-8250	07-06-4250	07-07-6250	07-08-8250
.375 9.26	07-03-4375	07-04-6375	07-05-8375	07-06-4375	07-07-6375	07-08-8375
.500 12.7	07-03-4500	07-04-6500	07-05-8500	07-06-4500	07-07-6500	07-08-8500
.562 14.3	07-03-4562	07-04-6562	07-05-8562	07-06-4562	07-07-6562	07-08-8562
.625 15.9	07-03-4625	07-04-6625	07-05-8625	07-06-4625	07-07-6625	07-08-8625
.750 19.1	07-03-4750	07-04-6750	07-05-8750	07-06-4750	07-07-6750	07-08-8750
.875 22.2	07-03-4875	07-04-6875	07-05-8875	07-06-4875	07-07-6875	07-08-8875
1.00 25.4	07-03-41000	07-04-61000	07-05-81000	07-06-41000	07-07-61000	07-08-81000

PACKAGING: 1000pcs/bag

MATERIAL	NYLON 66
UL RATING	94V-2
UL FILE NO.	R70062
COLOR	NATURAL
ASTM	D 4066, PA111
RoHS COMPLIANCE	YES
TEMPERATURE RANGE (REF.)	-40 to 185°F (-40 to 85°C)
MR NUMBER	01

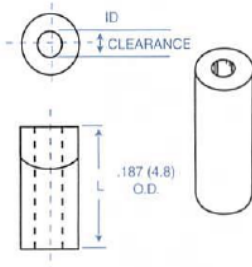
NYLON 66 RATED UL94V-0 AVAILABLE UPON REQUEST



Get quote »

09 SERIES  
10 SERIES

- 3/16" O.D. round nylon spacers
- Mount with self tapping screws



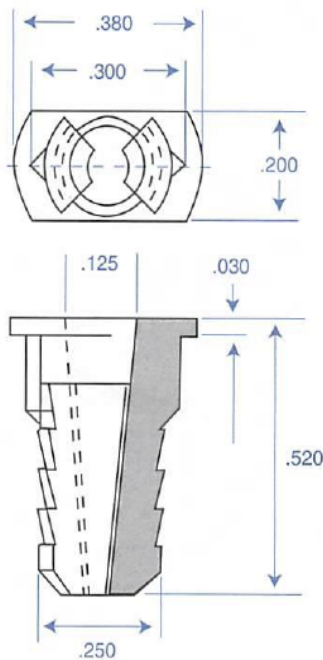
MATERIAL	NYLON 66
UL RATING	94V-2
UL FILE NO.	E41938
COLOR	NATURAL
ASTM	D 4066, PA111
RoHS COMPLIANCE	YES
TEMPERATURE RANGE (REF.)	-40 to 185°F (-40 to 85°C)
MR NUMBER	12

ITEM NO.		L		ID Clearance		Screw Size
#2 Screw	#4 Screw	inches	(mm)	inches	(mm)	
07-09-2125		.125	(3.18)	.090	(2.31)	#2
07-09-2250		.250	(6.35)			
07-09-2375		.375	(9.26)			
07-09-2500		.500	(12.7)			
07-09-2625		.625	(15.9)			
07-09-2750		.750	(19.1)			
07-09-2875		.875	(22.2)			
07-09-21000		1.000	(25.4)			
	07-10-4125	.125	(3.18)	.117	(2.93)	#4 (M3)
	07-10-4250	.250	(6.35)			
	07-10-4375	.375	(9.26)			
	07-10-4500	.500	(12.7)			
	07-10-4625	.625	(15.9)			
	07-10-4750	.750	(19.1)			
	07-10-4875	.875	(22.2)			
	07-10-41000	1.000	(25.4)			
Tolerance:		± .005				

PACKAGING: 500/bag

00 SERIES

- Screw grommet
- Insulates screws
- Accomodates #4 (M-3) screw



MATERIAL 17-220	NYLON 66
UL RATING	94V-2
UL FILE NO.	R70062
COLOR	NATURAL
ASTM	D 4066, PA111
RoHS COMPLIANCE	YES
TEMPERATURE RANGE (REF.)	-40 to 185°F (-40 to 85°C)
MR NUMBER	01

ITEM NO.	Hole Diameter		Screw Size
	inches	(mm)	
UL94V-2			
07-00-10	.250	(6.4)	#4 (M3)
Tolerances:		(± .010)	

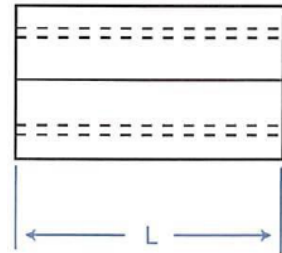
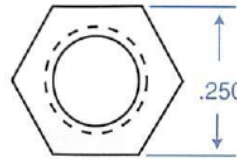
PACKAGING: 1000/bag



## 18 SERIES



- Metric threaded hex spacers



ITEM NO. UL94V-2	L		Thread Size
	inches	(mm)	
07-18-60	.250	(6.4)	M3
07-18-80	.312	(8.0)	M3
07-18-100	.375	(9.26)	M3
07-18-110	.438	(11.10)	M3
07-18-130	.500	(12.7)	M3
07-18-140	.563	(14.30)	M3
07-18-160	.625	(15.9)	M3
07-18-180	.750	(19.1)	M3
07-18-220	.875	(22.2)	M3
07-18-260	1.000	(25.4)	M3

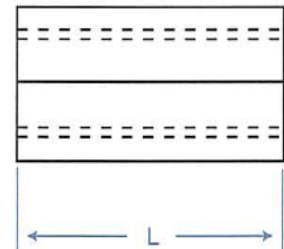
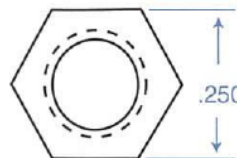
MATERIAL	NYLON 66
UL RATING	94V-2
UL FILE NO.	E41938
COLOR	NATURAL
ASTM	D 4066, PA111
RoHS COMPLIANCE	YES
TEMPERATURE RANGE (REF.)	-40 to 185°F (-40 to 85°C)
MR NUMBER	12

PACKAGING: 500/bag

## 56 SERIES



- Hex threaded standoffs



ITEM NO.			L	
4-40 Thread	6-32 Thread	8-32 Thread	inches	(mm)
07-56-4250	07-56-6250	07-56-8250	.250	(6.4)
07-56-4312	07-56-6312	07-56-8312	.312	(7.94)
07-56-4375	07-56-6375	07-56-8375	.375	(9.26)
07-56-4437	07-56-6437	07-56-8437	.437	(11.10)
07-56-4500	07-56-6500	07-56-8500	.500	(12.7)
07-56-4562	07-56-6562	07-56-8562	.562	(14.30)
07-56-4625	07-56-6625	07-56-8625	.625	(15.9)
07-56-4688	07-56-6688	07-56-8688	.688	(17.46)
07-56-4750	07-56-6750	07-56-8750	.750	(19.1)
07-56-4812	07-56-6812	07-56-8812	.812	(20.64)
07-56-4875	07-56-6875	07-56-8875	.875	(22.2)
07-56-41000	07-56-61000	07-56-81000	1.000	(25.4)

Add (X) to part number for (VO) Material

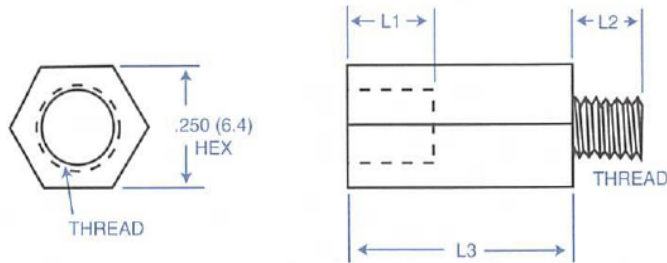
MATERIAL	NYLON 66
UL RATING	94V-2
UL FILE NO.	E41938
COLOR	NATURAL
ASTM	D 4066, PA111
RoHS COMPLIANCE	YES
TEMPERATURE RANGE (REF.)	-40 to 185°F (-40 to 85°C)
MR NUMBER	12

PACKAGING: 500/bag



51 SERIES  
52 SERIES  
53 SERIES

- Male/female threaded hex nylon spacers
- Mates with AEH hex nut (12-00-series)



ITEM NO. #4-40 Thread	L <sub>1</sub> (Min.)		L <sub>2</sub>		L <sub>3</sub>	
	inches	(mm)	inches	(mm)	inches	(mm)
07-51-4250					.250	(6.4)
07-51-4312					.312	(7.9)
07-51-4375					.375	(9.5)
07-51-4438					.438	(11.11)
07-51-4500					.500	(12.7)
07-51-4562					.562	(14.29)
07-51-4625					.625	(15.9)
07-51-4688	.187	(4.8)	.187	(4.8)	.688	(17.5)
07-51-4750					.750	(19.1)
07-51-4813					.813	(20.6)
07-51-4875					.875	(22.2)
07-51-41000					1.00	(25.4)
07-51-41125					1.125	(28.6)
07-51-41250					1.250	(31.8)
07-51-41375					1.375	(34.9)

PACKAGING: 500/bag

MATERIAL	NYLON 66
UL RATING	94V-2
UL FILE NO.	E41938
COLOR	NATURAL
ASTM	D 4066, PA111
RoHS COMPLIANCE	YES
TEMPERATURE RANGE (REF.)	-40 to 185°F (-40 to 85°C)
MR NUMBER	12

ITEM NO. #6-32 Thread	L <sub>1</sub> (Min.)		L <sub>2</sub>		L <sub>3</sub>	
	inches	(mm)	inches	(mm)	inches	(mm)
07-52-6250	.187	(4.8)			.250	(6.4)
07-52-6312					.312	(7.9)
07-52-6375					.375	(9.5)
07-52-6438					.438	(11.11)
07-52-6500					.500	(12.7)
07-52-6562					.562	(14.29)
07-52-6625					.625	(15.9)
07-52-6688	.250	(6.4)	.250	(6.4)	.688	(17.5)
07-52-6750					.750	(19.1)
07-52-6813					.813	(20.6)
07-52-6875					.875	(22.2)
07-52-61000					1.00	(25.4)
07-52-61125					1.125	(28.6)
07-52-61250					1.250	(31.8)
07-52-61375					1.375	(34.9)

PACKAGING: 500/bag

ITEM NO. #8-32 Thread	L <sub>1</sub> (Min.)		L <sub>2</sub>		L <sub>3</sub>	
	inches	(mm)	inches	(mm)	inches	(mm)
07-53-8250	.187	(4.8)			.250	(6.4)
07-53-8312					.312	(7.9)
07-53-8375	.200	(5.1)			.375	(9.5)
07-53-8438					.438	(11.11)
07-53-8500					.500	(12.7)
07-53-8562					.562	(14.29)
07-53-8625					.625	(15.9)
07-53-8688					.688	(17.5)
07-53-8750	.375	(9.5)	.375	(9.5)	.750	(19.1)
07-53-8813					.813	(20.6)
07-53-8875					.875	(22.2)
07-53-81000					1.00	(25.4)
07-53-81125					1.125	(28.6)
07-53-81250					1.250	(31.8)
07-53-81375					1.375	(34.9)

PACKAGING: 500/bag



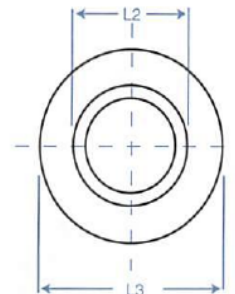
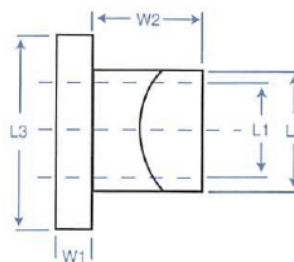
## 89 SERIES



- Insulates and isolates metal screws
- Reduces corrosion
- Lightweight

MATERIAL	NYLON 66
UL RATING	94V-2
UL FILE NO.	E41938
COLOR	NATURAL*
ASTM	D 4066, PA111
RoHS COMPLIANCE	YES
TEMPERATURE RANGE (REF.)	-40 to 185°F (-40 to 85°C)
MR NUMBER	12

\*(Available in UL94V-0 material - inquiries welcome)



ITEM NO.	L <sub>1</sub>		L <sub>2</sub>		L <sub>3</sub>		W <sub>1</sub>		W <sub>2</sub>		Screw Size	Approximate Metric Equivalent
	inches	(mm)	inches	(mm)	inches	(mm)	inches	(mm)	inches	(mm)		
07-89-220 07-89-240 07-89-260 07-89-280 07-89-2120 07-89-2160 07-89-2240	.090	(2.29)	.120	(3.05)	.235	(5.97)			.031	(0.78)	#2	M2.2
.063									(1.59)			
.093									(2.36)			
.125									(3.18)			
.187									(4.76)			
.250									(6.35)			
.375									(9.53)			
07-89-420 07-89-430 07-89-440 07-89-460 07-89-480 07-89-4100 07-89-4120 07-89-4160 07-89-4240	.115	(2.91)	.145	(3.67)			.047	(1.19)	.031	(0.78)	#4	M3
.046									(1.17)			
.063									(1.59)			
.093									(2.36)			
.125									(3.18)			
.156									(3.96)			
.187									(4.76)			
.250									(6.35)			
.375									(9.53)			
07-89-620 07-89-640 07-89-660 07-89-680 07-89-6120 07-89-6160 07-89-6240 07-89-6320	.140	(3.57)	.170	(4.32)	.290	(7.37)			.031	(0.78)	#6	M3.5
.063									(1.59)			
.093									(2.36)			
.125									(3.18)			
.187									(4.76)			
.250									(6.35)			
.375									(9.53)			
.500									(12.7)			
07-89-820 07-89-840 07-89-860 07-89-880 07-89-8120 07-89-8160 07-89-8240 07-89-8320	.173	(4.39)	.205	(5.21)	.344	(8.74)			.031	(0.78)	#8	M4
.063									(1.59)			
.093									(2.36)			
.125									(3.18)			
.187									(4.76)			
.250									(6.35)			
.375									(9.53)			
.500									(12.7)			
07-89-1020 07-89-1040 07-89-1060 07-89-1080 07-89-10120 07-89-10160 07-89-10240 07-89-10320	.200	(5.08)	.260	(6.60)	.399	(10.1)			.031	(0.78)	#10	M5
.063									(1.59)			
.093									(2.36)			
.125									(3.18)			
.187									(4.76)			
.250									(6.35)			
.375									(9.53)			
.500									(12.7)			
07-89-25020 07-89-25040 07-89-25060 07-89-25080 07-89-250120 07-89-250160 07-89-250240 07-89-250320	.260	(6.60)	.312	(7.92)	.513	(13.0)			.031	(0.78)	1/4	M6
.063									(1.59)			
.093									(2.36)			
.125									(3.18)			
.187									(4.76)			
.250									(6.35)			
.375									(9.53)			
.500									(12.7)			
07-89-31220 07-89-31240 07-89-31260 07-89-31280 07-89-312120 07-89-312160 07-89-312240 07-89-312320	.320	(8.13)	.360	(9.14)	.620	(15.7)			.031	(0.78)	5/16	M8
.063									(1.59)			
.093									(2.36)			
.125									(3.18)			
.187									(4.76)			
.250									(6.35)			
.375									(9.53)			
.500									(12.7)			

Tolerance: ±.005 (.127)

PACKAGING: 500/bag

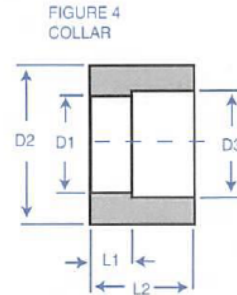
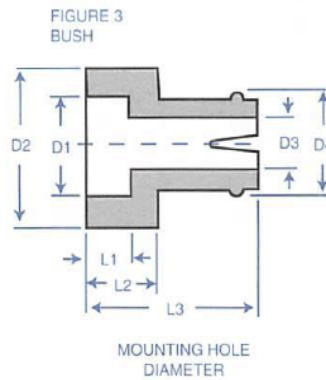
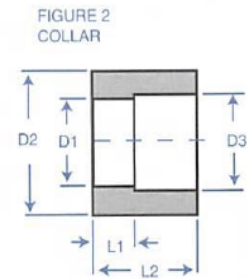
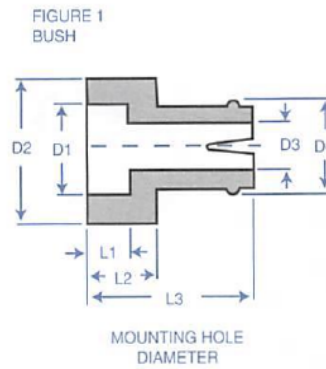


**23 SERIES  
24 SERIES**

- Collar/bushing set for spacing PC boards
- Insulates and isolates screws
- Collar and bushing sold under separate part numbers; consult chart below
- Material: UL94V-0 (E50075)



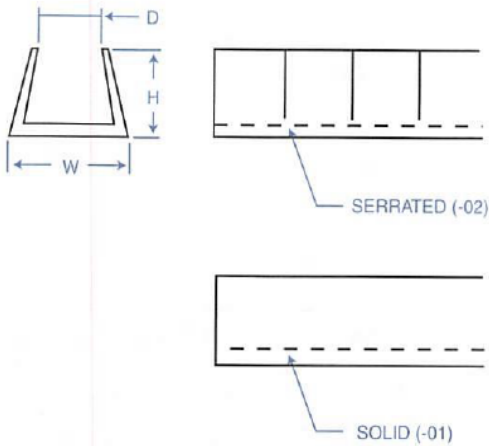
<b>ITEM NO.</b>		
07-23-Series		
07-24-Series		
<b>COLOR:</b>	Black*	*Natural available
<b>PACKAGING:</b>	500/bag	
<b>MATERIAL:</b>	Polycarbonate	



ITEM NO.		D <sub>1</sub>	D <sub>2</sub>	D <sub>3</sub>	D <sub>4</sub>	L <sub>1</sub>	L <sub>2</sub>	L <sub>3</sub>	Screw Size	Figure No.
Collar UL94HB	Bushing UL94HB	inches (mm)	inches (mm)	inches (mm)	inches (mm)	inches (mm)	inches (mm)	inches (mm)		
07-23-305							.224 (5.7)			
07-23-307							.295 (7.5)			
07-23-310		.236 (6.0)	.394 (10.0)	.268 (6.8)		.118 (3.0)	.394 (10.0)		#4 (M3)	2
07-23-315							.591 (15.0)			
07-23-320							.787 (20.0)			
	07-24-300*	.256 (6.5)	.394 (10.0)	.138 (3.5)	.256 (6.5)	.118 (3.0)	.197 (5.0)	.472 (12.0)		1
*Bushing used with collars AEH #07-23-305 thru AEH #07-23-320										
07-23-405							.224 (5.7)			
07-23-407							.295 (7.5)			
07-23-410		.276 (7.0)	.433 (11.0)	.307 (7.8)		.118 (3.0)	.394 (10.0)		#8 (M4)	4
07-23-415							.591 (15.0)			
07-23-420							.787 (20.0)			
	07-24-400**	.315 (8.0)	.433 (11.0)	.177 (4.5)	.295 (7.5)	.138 (3.5)	.217 (5.5)	.492 (12.5)		3
**Bushing used with collars AEH #07-23-405 thru AEH #07-23-420										



## 01 SERIES 02 SERIES



- Flexible grommeting
- Provides edge protection
- (01 series) – solid
- (02 series) – serrated
- Color: add (N) for natural  
add (Bk) for black

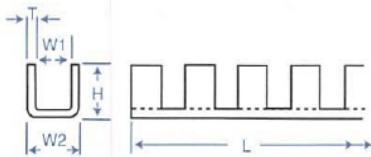


ITEM NO.		Panel Range (Ref only) (D)		(H)		(W)	
Solid	Serated	inches	(mm)	inches	(mm)	inches	(mm)
08-01-100	08-02-100	.040-.070	(1.0-1.8)	.190	(4.8)	.130	(3.2)
08-01-200	08-02-200	.050-.070	(1.2-1.8)	.190	(4.8)	.130	(3.2)
08-01-300	08-02-300	.060-.080	(1.5-2.0)	.200	(5.1)	.170	(4.3)
08-01-400	08-02-400	.085-.090	(2.2-2.3)	.200	(5.1)	.170	(4.3)
08-01-500	08-02-500	.100-.125	(2.5-3.2)	.220	(5.5)	.210	(5.3)
08-01-600	08-02-600	.125-.130	(3.1-3.2)	.220	(5.5)	.210	(5.3)
08-01-700	08-02-700	.187-.192	(4.7-4.8)	.270	(6.8)	.260	(6.5)
Tolerance				± .015		± .015	

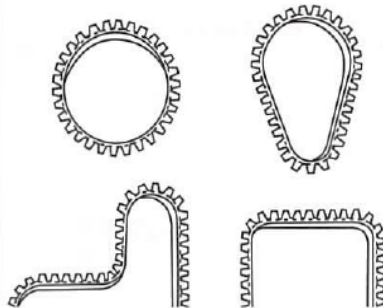
MATERIAL	POLYETHYLENE
UL RATING	HB
UL FILE NO.	E213327
COLOR	NATURAL / BLACK
ASTM	D 3350
RoHS COMPLIANCE	YES
TEMPERATURE RANGE (REF.)	-40 to 145°F (-40 to 65°C)
MR NUMBER	22

PACKAGING: 100 Ft/Roll

## 03 SERIES



SAMPLE SHAPES



- Smooth finish
- Flexible, conforming to most any shape
- Absorbs shock and vibration
- Protects wire/cable
- Fits securely in place
- Supplied in standard length



ITEM NO.	L		W1		W2		H		T	
	inches	(mm)	inches	(mm)	inches	(mm)	inches	(mm)	inches	(mm)
08-03-120	9.85	(250.0)	.051	(1.3)	.138	(3.5)	.158	(4.0)	.043	(1.1)
08-03-160			.067	(1.7)	.150	(3.8)			.039	(1.0)
08-03-240			.094	(2.4)	.173	(4.4)				
08-03-320	12.60	(320.0)	.130	(3.3)	.209	(5.3)	.236	(6.0)	.063	(1.6)
08-03-450			.197	(5.0)	.323	(8.2)				
08-03-620			.256	(6.5)	.382	(9.7)				

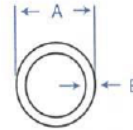
MATERIAL	NYLON 66
UL RATING	94V-2
UL FILE NO.	E53664
COLOR	NATURAL
ASTM	D 4066, PA111
RoHS COMPLIANCE	YES
TEMPERATURE RANGE (REF.)	-40 to 185°F (-40 to 85°C)
MR NUMBER	05

PACKAGING: 100/bag



06 SERIES

- Spiral wrap (forward cut)
- Additional colors/materials available (special order)



MATERIAL	POLYETHYLENE
UL RATING	HB
UL FILE NO.	E116487
COLOR	NATURAL / BLACK*
FEDERAL SPEC.	L-P-390
RoHS COMPLIANCE	YES
TEMPERATURE RANGE (REF.)	-76 to 190°F (-60 to 88°C)
MR NUMBER	16

\* COLOR BLACK (NBK) IS UV STABILIZED POLYETHYLENE

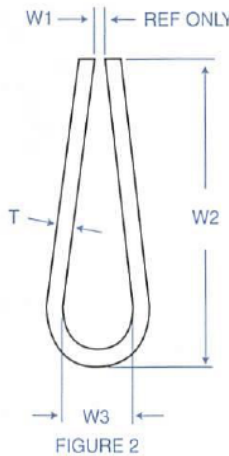
MATERIAL	NYLON 6
UL RATING	NA
UL FILE NO.	NA
COLOR	NATURAL / BLACK*
RoHS COMPLIANCE	YES
TEMPERATURE RANGE (REF.)	-40 to 250°F (-40 to 121°C)
MR NUMBER	17

\* COLOR BLACK (NBK) IS UV STABILIZED NYLON  
NYLON 6. USED FOR SPIRAL WRAP SERIES 08-06-XX-NN AND 08-06-XX-NBK.

ITEM NO. (Polyethylene)		"A" Ref		"B" Ref		Maximum Bundle Range	
Natural	Black	inches	(mm)	inches	(mm)	inches	(mm)
08-06-125-PN	08-06-125-PBK	.125	(3.2)	.032	(.80)	.063-500	(1.6-12.7)
08-06-187-PN	08-06-187-PBK	.187	(4.8)	.030	(.76)	.187-1.50	(4.8-38.1)
08-06-250-PN	08-06-250-PBK	.250	(6.4)	.045	(1.1)	.187-2.00	(4.8-50.8)
08-06-375-PN	08-06-375-PBK	.375	(9.5)	.052	(1.3)	.312-3.00	(7.9-76.2)
08-06-500-PN	08-06-500-PBK	.500	(12.7)	.062	(1.6)	.375-4.00	(9.5-101.6)
08-06-625-PN	08-06-625-PBK	.625	(15.9)	.062	(1.6)	.500-4.50	(12.7-114.3)
08-06-750-PN	08-06-750-PBK	.750	(19.1)	.065	(1.7)	.750-5.00	(19.1-127.0)
08-06-1000-PN	08-06-1000-PBK	1.00	(25.4)	.080	(2.0)	1.00-7.00	(25.4-177.8)
Tolerance:		± .015					
ITEM NO. (Nylon)		"A" Ref		"B" Ref		Maximum Bundle Range	
Natural	Black	inches	(mm)	inches	(mm)	inches	(mm)
08-06-125-NN	08-06-125-NBK	.125	(3.2)	.015	(.4)	.063-500	(1.6-12.7)
08-06-187-NN	08-06-187-NBK	.187	(4.8)	.020	(.5)	.187-1.50	(4.8-38.1)
08-06-250-NN	08-06-250-NBK	.250	(6.4)	.025	(.6)	.187-2.00	(4.8-50.8)
08-06-375-NN	08-06-375-NBK	.375	(9.5)	.035	(.9)	.312-3.00	(7.9-76.2)
08-06-500-NN	08-06-500-NBK	.500	(12.7)	.035	(.9)	.375-4.00	(9.5-101.6)
08-06-625-NN	08-06-625-NBK	.625	(15.9)	.032	(.8)	.500-4.50	(12.7-114.3)
08-06-750-NN	08-06-750-NBK	.750	(19.1)	.032	(.8)	.500-5.00	(12.7-127.0)
08-06-1000-NN	08-06-1000-NBK	1.00	(25.4)	.032	(.8)	1.000-7.000	(25.4-177.8)
Tolerance:		± .015					

PACKAGING: 100 Ft/Roll

20 SERIES



- Protects, smooths and binds edges and frames
- Attractive finished look to edges

MATERIAL	HIPS
UL RATING	94HB
UL FILE NO.	E55470
COLOR	WHITE
RoHS COMPLIANCE	YES
TEMPERATURE RANGE (REF.)	-4 to 176°F (-20 to 80°C)
MR NUMBER	29

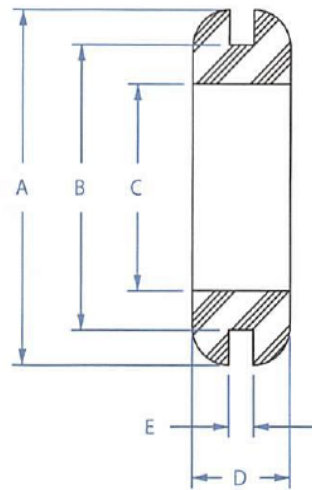
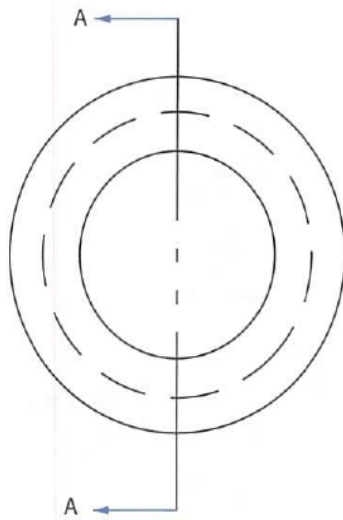
ITEM NO.	Length		W <sub>1</sub>		W <sub>2</sub>		W <sub>3</sub>		T	Figure No.	
	inches	(mm)	inches	(mm)	inches	(mm)	inches	(mm)	inches		(mm)
08-20-141	48.0	(1220.0)	.020	(.5)	.563	(14.3)	.141	(3.6)	.031	(.8)	2

PACKAGING: 25 -4 Ft bundles - custom lengths available; inquires welcome

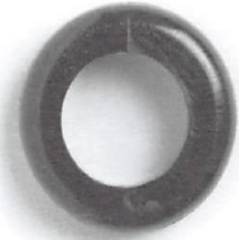


## 04 SERIES

- Hole Grommets
- Protects & Insulates Wires



SECT. A-A



PART NO	A DIA. ± .015 (0.38)	B PANEL HOLE DIA.	C DIA.	D ± .015 (0.38)	E PANEL THICKNESS
08-04-250	9/16 (14.3)	.37 (9.35)	1/4 (6.35)	.28 (7.1)	3/32 (2.36)
08-04-375	43/64 (17.1)	.49 (12.4)	3/8 (9.5)	.28 (7.1)	1/16 (1.57)
08-04-500	55/64 (21.8)	.69 (17.5)	1/2 (12.7)	.25 (6.4)	1/16 (1.57)
08-04-750	15/64 (31.4)	1.0 (25.4)	3/4 (19.05)	.31 (7.9)	1/16 (1.57)

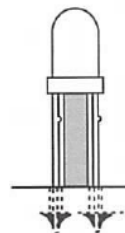
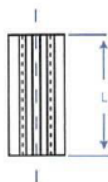
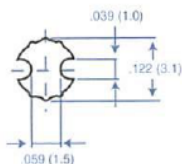
**PACKAGING:** 250, 375, 500 (1000/bag), 750 (500/bag)

MATERIAL	PVC. SOFT
UL RATING	NR
COLOR	BLACK
DUROMETER	60, SHORE A
RoHS COMPLIANCE	YES
TEMPERATURE RANGE (REF.)	32 to 132°F (0 to 50°C)
MR NUMBER	21

MATERIAL: PVC. FLEXIBLE, 60 DUROMETER, (SHORE A)  
COLOR: BLACK..

00 SERIES

- For .118 (3.0mm) LED
- Chemical and heat resistant
- Spaces and insulates leads



MATERIAL	THERMO PLASTIC ELASTOMER
UL RATING	94V-0
UL FILE NO.	E58608
COLOR	BLACK
RoHS COMPLIANCE	YES
TEMPERATURE RANGE (REF.)	-40 to 122°F (-40 to 50°C)
MR NUMBER	27

ITEM NO.	L	
	inches	(mm)
09-00-20	.079	(2.0)
09-00-30	.118	(3.0)
09-00-40	.158	(4.0)
09-00-50	.197	(5.0)
09-00-60	.236	(6.0)
09-00-70	.276	(7.0)
09-00-80	.315	(8.0)
09-00-90	.354	(9.0)
09-00-100	.394	(10.0)
09-00-120	.472	(12.0)
09-00-150	.591	(15.0)
Tolerance ±	.004	(.1)

PACKAGING: 1000/bag

01 SERIES

- For two color LED's
- Chemical and heat resistant
- Spaces and insulates leads
- Two mounting methods; via oval center hole (see figure 1) or via outside slits (see figure 2)

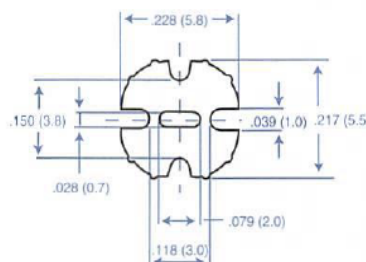
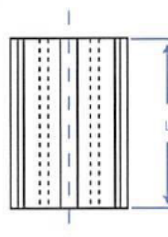
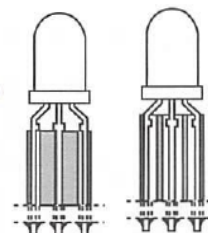


FIGURE 1

FIGURE 2



MATERIAL	THERMO PLASTIC ELASTOMER
UL RATING	94V-0
UL FILE NO.	E58608
COLOR	BLACK
RoHS COMPLIANCE	YES
TEMPERATURE RANGE (REF.)	-40 to 122°F (-40 to 50°C)
MR NUMBER	27

ITEM NO.	L		Mounting Method	Mounting Method		
	inches	(mm)				
09-01-20	.079	(2.0)	See Figure 1	See Figure 2		
09-01-30	.118	(3.0)				
09-01-40	.158	(4.0)				
09-01-50	.197	(5.0)				
09-01-60	.236	(6.0)				
09-01-70	.276	(7.0)				
09-01-80	.315	(8.0)				
09-01-90	.354	(9.0)				
09-01-100	.394	(10.0)				
09-01-120	.472	(12.0)				
09-01-150	.591	(15.0)				
Tolerance ±	.004	(.1)				

PACKAGING: 1000/bag



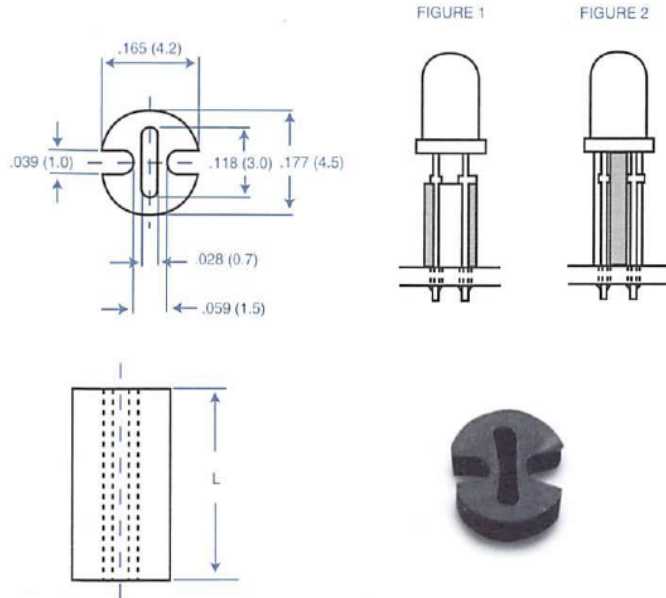
03 SERIES

- Chemical and heat resistant
- Two mounting methods; via oval center hole (see figure 1) or via outside slits (see figure 2)
- Spaces and insulates

MATERIAL	THERMO PLASTIC ELASTOMER
UL RATING	94V-0
UL FILE NO.	E58608
COLOR	BLACK
RoHS COMPLIANCE	YES
TEMPERATURE RANGE (REF.)	-40 to 122°F (-40 to 50°C)
MR NUMBER	27

ITEM NO.	L		Mounting Method	Mounting Method		
	inches	(mm)				
09-03-20	.079	(2.0)	See Figure 1	See Figure 2		
09-03-30	.118	(3.0)				
09-03-40	.158	(4.0)				
09-03-50	.197	(5.0)				
09-03-60	.236	(6.0)				
09-03-70	.276	(7.0)				
09-03-80	.315	(8.0)				
09-03-90	.354	(9.0)				
09-03-100	.394	(10.0)				
09-03-120	.472	(12.0)				
09-03-150	.591	(15.0)				
Tolerance ±	.004	(.1)				

PACKAGING: 1000/bag



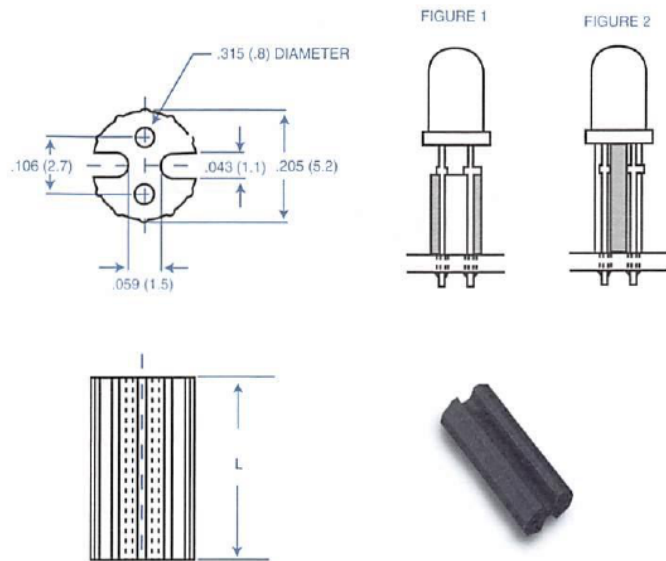
02 SERIES

- Chemical and heat resistant
- Two mounting methods; via oval center hole (see figure 1) or via outside slits (see figure 2)
- Spaces and insulates

MATERIAL	THERMO PLASTIC ELASTOMER
UL RATING	94V-0
UL FILE NO.	E58608
COLOR	BLACK
RoHS COMPLIANCE	YES
TEMPERATURE RANGE (REF.)	-40 to 122°F (-40 to 50°C)
MR NUMBER	27

ITEM NO.	L		Mounting Method	Mounting Method		
	inches	(mm)				
09-02-20	.079	(2.0)	See Figure 1	See Figure 2		
09-02-30	.118	(3.0)				
09-02-40	.158	(4.0)				
09-02-50	.197	(5.0)				
09-02-60	.236	(6.0)				
09-02-70	.276	(7.0)				
09-02-80	.315	(8.0)				
09-02-90	.354	(9.0)				
09-02-100	.394	(10.0)				
09-02-120	.472	(12.0)				
09-02-150	.591	(15.0)				
Tolerance ±	.004	(.1)				

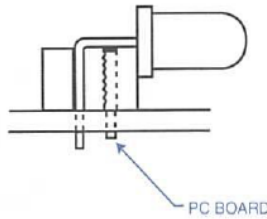
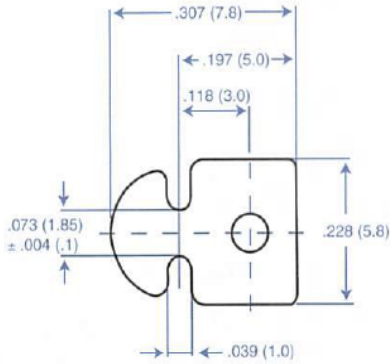
PACKAGING: 1000/bag



Get quote >>

05 SERIES

- Right angle type LED spacer
- Use with .197 (5.0m) diameter LEDs



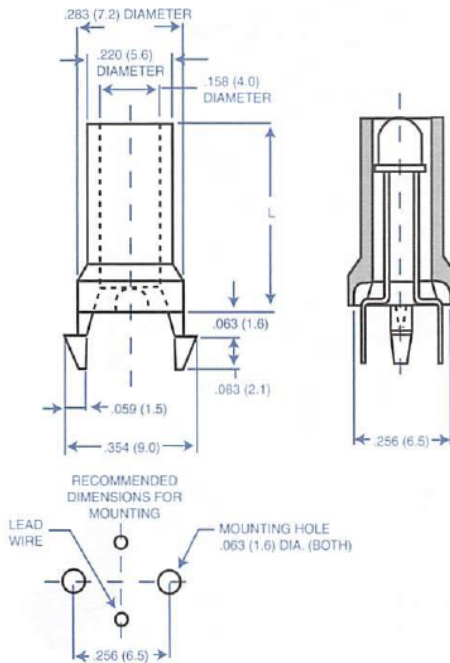
MATERIAL	THERMO PLASTIC ELASTOMER
UL RATING	94V-0
UL FILE NO.	E58608
COLOR	BLACK
RoHS COMPLIANCE	YES
TEMPERATURE RANGE (REF.)	-40 to 122°F (-40 to 50°C)
MR NUMBER	27

ITEM NO.	L	
	inches	(mm)
09-05-30	.118	(3.0)
09-05-40	.158	(4.0)
09-05-50	.197	(5.0)
09-05-60	.236	(6.0)
09-05-70	.276	(7.0)
09-05-80	.315	(8.0)
09-05-90	.354	(9.0)
09-05-100	.394	(10.0)
09-05-120	.472	(12.0)
09-05-150	.591	(15.0)
Tolerance ±	.004	(.1)

PACKAGING: 1000/bag

06 SERIES

- For use with straight and formed LED wires
- Holds LED securely in place
- Prevents light dissipation



MATERIAL	NYLON 66
UL RATING	94V-2
UL FILE NO.	E53664
COLOR	BLACK
ASTM	D 4066, PA111
RoHS COMPLIANCE	YES
TEMPERATURE RANGE (REF.)	-40 to 185°F (-40 to 85°C)
MR NUMBER	05

ITEM NO.		L	
UL94V-2	UL94V-0	inches	(mm)
09-06-80	09-06-80X	.315	(8.0)
09-06-100	09-06-100X	.394	(10.0)
09-06-110	09-06-110X	.433	(11.0)
09-06-120	09-06-120X	.472	(12.0)

PACKAGING: 500/bag

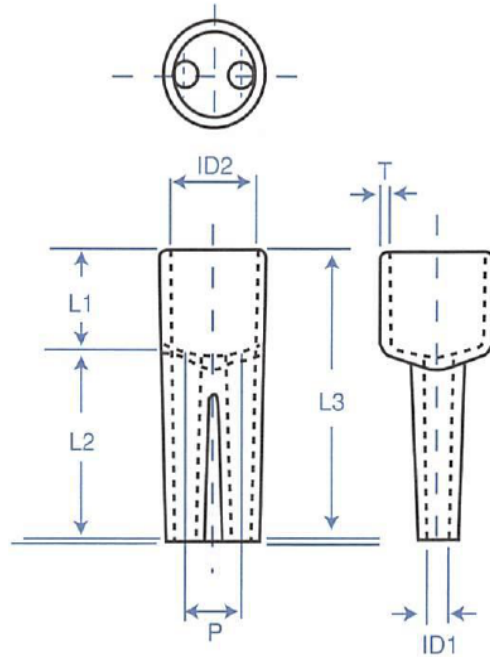


Get quote

04 SERIES



- Lamp cover
- Spaces and insulates subminiature lamps



MATERIAL	PVC. SOFT. SPECIALLY FORMULATED
UL RATING	94V-0
UL FILE NO.	E58538
COLOR	CLEAR
RoHS COMPLIANCE	YES
TEMPERATURE RANGE (REF.)	-40 to 122°F (-40 to 50°C)
MR NUMBER	26

ITEM NO.	ID <sub>1</sub>		ID <sub>2</sub>		L <sub>1</sub>		L <sub>2</sub>		L <sub>3</sub>		T		P	
	inches	(mm)	inches	(mm)	inches	(mm)	inches	(mm)	inches	(mm)	inches	(mm)	inches	(mm)
09-04-280	.039	(1.0)	.098	(2.5)	.098	(2.5)	.177	(4.5)	.276	(7.0)	.020	(.5)	.075	(1.9)
09-04-380			.150	(3.8)	.158	(4.0)	.394	(10.0)	.551	(14.0)		.087	(2.2)	
09-04-460	.051	(1.3)	.181	(4.6)	.197	(5.0)			.591	(15.0)	.028	(.7)	.118	(3.0)
09-04-470	.043	(1.1)	.185	(4.7)	.236	(6.0)	.315	(8.0)	.551	(14.0)		.130	(3.3)	
09-04-500	.063	(1.6)	.197	(5.0)	.118	(3.0)	.236	(6.0)	.354	(9.0)	.032	(.8)	.126	(3.2)
09-04-580	.039	(1.0)	.228	(5.8)	.276	(7.0)	.315	(8.0)	.591	(15.0)	.039	(1.0)	.197	(5.0)
09-04-620	.051	(1.3)	.244	(6.2)	.630	(16.0)	.630	(16.0)	1.26	(32.0)	.024	(.6)	.354	(9.0)
09-04-850	.118	(3.0)	.355	(8.5)	.394	(10.0)	.394	(10.0)	.787	(20.0)	.039	(1.0)	.158	(4.0)
Tolerance ±					.028	(.7)	.028	(.7)			.008	(.2)		

PACKAGING: 1000/bag

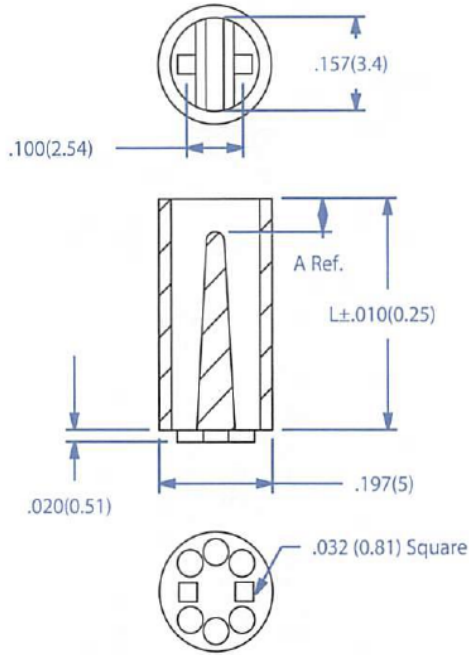


Get quote »

**07 SERIES**

**09-07**

**SPACER FOR T-1 3/4 LED**



MATERIAL	NYLON 66
UL RATING	94V-2
UL FILE NO.	E41938
COLOR	NATURAL
ASTM	D 4086, PA111
RoHS COMPLIANCE	YES
TEMPERATURE RANGE (REF.)	-40 to 185°F (-40 to 85°C)
MR NUMBER	12

ITEM NO	L ± .010 (0.25)		A (Ref.)	
	In.	mm	In.	mm
09-07-120	.120	3.05	.045	1.14
09-07-140	.140	3.56	.065	1.65
09-07-160	.160	4.06	.085	2.16
09-07-180	.180	4.57	.105	2.67
09-07-200	.200	5.08	.125	3.18
09-07-220	.220	5.59	.145	3.68
09-07-240	.240	6.10	.045	1.14
09-07-250	.250	6.35	.060	1.52
09-07-260	.260	6.6	.065	1.65
09-07-280	.280	7.11	.090	2.29
09-07-300	.300	7.62	.110	2.79
09-07-320	.320	8.13	.120	3.05
09-07-340	.340	8.64	.140	3.56
09-07-350	.350	8.89	.150	3.81
09-07-360	.360	9.14	.160	4.06
09-07-380	.380	9.65	.060	1.52
09-07-400	.400	10.16	.075	1.91
09-07-420	.420	10.67	.095	2.41
09-07-440	.440	11.18	.115	2.92
09-07-450	.450	11.43	.120	3.05
09-07-460	.460	11.68	.135	3.43
09-07-480	.480	12.19	.145	3.68
09-07-500	.500	12.70	.055	1.4
09-07-550	.550	13.97	.095	2.41
09-07-600	.600	15.24	.150	3.81
09-07-650	.650	16.51	.075	1.19
09-07-700	.700	17.78	.120	3.05
09-07-750	.750	19.05	.055	1.4
09-07-800	.800	20.32	.110	4.06
09-07-850	.850	21.59	.160	4.06
09-07-900	.900	22.86	.200	5.08
09-07-925	.925	23.5	.230	5.84

**PACKAGING:** 500/bag



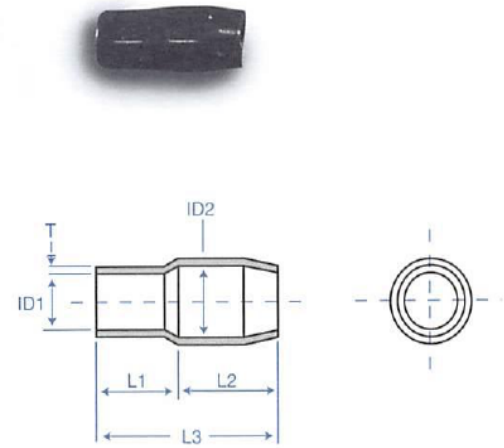
Get quote >>

## 00 SERIES

MATERIAL	PVC. SOFT. SPECIALLY FORMULATED
UL RATING	94V-0
UL FILE NO.	E58538
CSA NO.	NA
COLOR	BLACK
RoHS COMPLIANCE	YES
TEMPERATURE RANGE (REF.)	-40 to 122°F (-40 to 50°C)
MR NUMBER	26

- Insulation cap
- Flexible
- UL temperature rating: 105°C
- UL voltage: 600V

ITEM NO.	ID <sub>1</sub>		ID <sub>2</sub>		L <sub>1</sub>		L <sub>2</sub>		L <sub>3</sub>		T	
	inches	(mm)	inches	(mm)	inches	(mm)	inches	(mm)	inches	(mm)	inches	(mm)
10-00-10	.079	(2.0)	.122	(3.1)	.276	(7.0)	.236	(6.0)	.512	(13.0)	.024 (.6)	
10-00-12	.122	(3.1)	.130	(3.3)			.276	(7.0)	.551	(14.0)	.028 (.7)	
10-00-21	.146	(3.7)	.177	(4.5)	.315	(8.0)	.354	(9.0)	.669	(17.0)	.032 (.8)	
10-00-52	.161	(4.1)	.224	(5.7)			.354	(9.0)	.748	(19.0)	.039 (1.0)	
10-00-81	.244	(6.2)	.283	(7.2)	.433	(11.0)	.512	(13.0)	.945	(24.0)	.043 (1.1)	
10-00-141	.315	(8.0)	.394	(10.0)	.551	(14.0)	.591	(15.0)	1.14	(29.0)	.047 (1.2)	
10-00-221	.374	(9.5)	.472	(12.0)	.630	(16.0)	.669	(17.0)	1.30	(33.0)	.055 (1.4)	
10-00-381	.465	(11.8)	.551	(14.0)	.748	(19.0)	.787	(20.0)	1.54	(39.0)	.059 (1.5)	
10-00-601	.547	(13.9)	.669	(17.0)	.827	(21.0)	.984	(25.0)	1.81	(46.0)	.067 (1.7)	
10-00-801	.630	(16.0)	.768	(19.5)	.945	(24.0)	1.18	(30.0)	2.13	(54.0)	.071 (1.8)	
10-00-1001	.709	(18.0)	.866	(22.0)	1.26	(32.0)	1.34	(34.0)	2.56	(65.0)	.079 (2.0)	
10-00-1251	.787	(20.0)	.961	(24.4)	1.50	(38.0)	2.72	(69.0)				
10-00-1501	.866	(22.0)			1.65	(42.0)	2.95	(75.0)				
10-00-2001	.945	(24.0)	1.27	(32.2)								
10-00-2501	1.04	(26.5)	1.30	(33.0)								
10-00-3251	1.18	(30.0)	1.48	(37.5)								
Tolerance ±	.039 (1.0)											



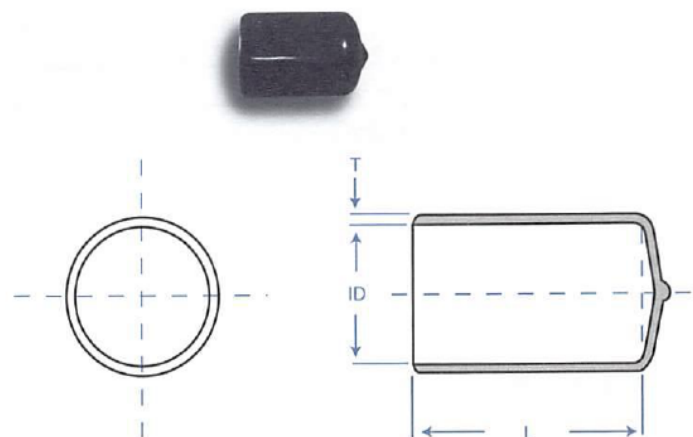
**PACKAGING:** 100/bag (10-00-10 thru 10-00-141)  
 50/bag (10-00-221 thru 10-00-601)  
 10/bag (10-00-801 thru 10-00-3251)

## 01 SERIES

MATERIAL	PVC. SOFT. SPECIALLY FORMULATED
UL RATING	94V-0
UL FILE NO.	E58538
CSA NO.	NA
COLOR	BLACK
RoHS COMPLIANCE	YES
TEMPERATURE RANGE (REF.)	-40 to 122°F (-40 to 50°C)
MR NUMBER	26

- Insulation cap
- Protects components/terminals from the elements in storing and/or shipping
- UL temperature rating: 105°C
- CSA temperature rating: 90°C
- UL voltage: 600V
- CSA voltage: 300V

ITEM NO.	ID		L		T	
	inches	(mm)	inches	(mm)	inches	(mm)
10-01-02	.079	(2.0)	.394	(10.0)	.039 (1.0)	
10-01-10	.394	(10.0)	.787	(20.0)	.059 (1.5)	
10-01-20	.787	(20.0)	1.18	(30.0)	.069 (1.75)	
10-01-30	1.18	(30.0)	1.97	(50.0)	.079 (2.0)	
10-01-40	1.57	(40.0)	2.36	(60.0)		
10-01-50	1.97	(50.0)	2.76	(70.0)		
10-01-52	2.05	(52.0)	3.15	(80.0)		
10-01-60	2.36	(60.0)	3.94	(100.0)		
10-01-70	2.76	(70.0)				
10-01-80	3.15	(80.0)				
Tolerance ±			.079 (2.0)		.020 (.5)	



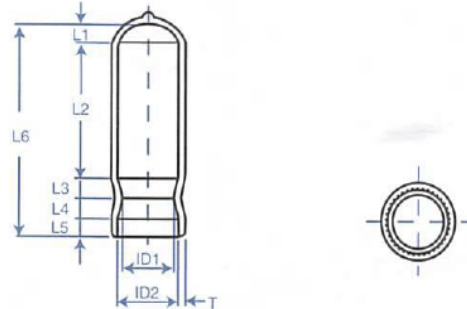
**PACKAGING:** 250/bag (10-01-02 thru 10-01-40)  
 50/bag (10-01-50 thru 10-01-80)



Get quote »

**02 SERIES**

- Insulates terminals, wires
- UL temperature rating: 105°C
- CSA temperature rating: 90°C
- UL voltage: 600V
- CSA voltage: 300V



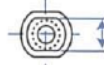
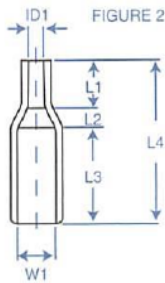
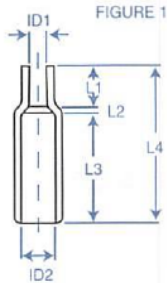
MATERIAL	PVC. SOFT. SPECIALLY FORMULATED
UL RATING	94V-0
UL FILE NO.	E58538
CSA NO.	LR52853 / LR52854
COLOR	BLACK
RoHS COMPLIANCE	YES
TEMPERATURE RANGE (REF.)	-40 to 122°F (-40 to 50°C)
MR NUMBER	26

ITEM NO.	ID1		ID2		L1		L2		L3		L4		L5		L6		T	
	inches	(mm)	inches	(mm)	inches	(mm)	inches	(mm)	inches	(mm)	inches	(mm)	inches	(mm)	inches	(mm)		
10-02-10	.335	(8.5)	.394	(10.0)	.118	(3.0)	.827	(21.0)	.118	(3.0)	.118	(3.0)	.118	(3.0)	1.30	(33.0)	.039	(1.0)
10-02-20	.394	(10.0)	.472	(12.0)	.158	(4.0)	1.06	(27.0)	.177	(4.5)	.177	(4.5)	.158	(4.0)	1.73	(44.0)		
10-02-30	.551	(14.0)	.630	(16.0)	.236	(6.0)	1.93	(49.0)	.197	(5.0)	.197	(5.0)	.197	(5.0)	2.28	(58.0)	.047	(1.2)
10-02-40	.669	(17.0)	.787	(20.0)														
10-02-50	.866	(22.0)	.945	(24.0)	.276	(7.0)	1.89	(48.0)	.177	(4.5)	.177	(4.5)	.197	(5.0)	2.76	(70.0)	.059	(1.5)
10-02-60	1.06	(27.0)	1.14	(29.0)														
10-02-70	1.38	(35.0)	1.26	(32.0)	.531	(13.5)	1.63	(41.5)	.177	(4.5)	.177	(4.5)	.197	(5.0)	3.15	(80.0)	.031	(.8)
10-02-80			1.57	(40.0)	.787	(20.0)	1.81	(46.0)										
10-02-90	.138	(3.5)	.236	(6.0)	.079	(2.0)	.709	(18.0)	.197	(5.0)	.197	(5.0)	.118	(3.0)	1.30	(33.0)	.039	(1.0)
10-02-100	.236	(6.0)	.315	(8.0)	.118	(3.0)	.669	(17.0)										
10-02-110	.374	(9.5)	.472	(12.0)	.197	(5.0)	.591	(15.0)										
Tolerance ±															.059	(1.5)	.020	(.5)

PACKAGING: 250/bag



## 03 SERIES 10 SERIES 11 SERIES



- Straight round shield caps (see figure 1)
- Straight roundflat shield caps (see figure 2)
- UL temperature rating: 105°C
- CSA temperature rating: 90°C
- UL voltage: 600V
- CSA voltage: 300V



MATERIAL	PVC, SOFT, SPECIALLY FORMULATED
UL RATING	94V-0
UL FILE NO.	E58538
CSA NO.	LR52853 / LR52854
COLOR	TRANSPARENT BLUE
RoHS COMPLIANCE	YES
TEMPERATURE RANGE (REF.)	-40 to 122°F (-40 to 50°C)
MR NUMBER	26

ITEM NO.	ID1	ID2	L1	L2	L3	L4	W1	W2	Figure No.	
	inches (mm)	inches (mm)	inches (mm)	inches (mm)	inches (mm)	inches (mm)	inches (mm)	inches (mm)		
10-03-314	.055 (1.4)	.091 (2.3)	.433 (11.0)	.079 (2.0)	.276 (7.0)	.787 (20.0)			1	
10-03-715	.059 (1.5)	.106 (2.7)	.079 (2.0)	.020 (.5)	.335 (8.5)	.433 (11.0)				
10-03-015		.118 (3.0)	.118 (3.0)		.433 (11.0)	.591 (15.0)				
10-03-020	.079 (2.0)			.039 (1.0)	.394 (10.0)	.551 (14.0)				
10-03-3314	.055 (1.4)	.130 (3.3)	.197 (5.0)		.433 (11.0)	.669 (17.0)				
10-03-320	.079 (2.0)		.433 (1.0)	.079 (2.0)	.276 (7.0)	.787 (20.0)				
10-03-525	.098 (2.5)	.138 (3.5)	.118 (3.0)		.315 (8.0)	.512 (13.0)				
10-03-420	.079 (2.0)			.118 (3.0)	.512 (13.0)	.866 (22.0)				
10-03-428	.110 (2.8)	.173 (4.4)	.236 (6.0)		.551 (14.0)	.827 (21.0)				
10-03-131	.122 (3.1)	.201 (5.1)	.158 (4.0)	.039 (1.0)	.394 (10.0)	.591 (15.0)				
10-03-228	.110 (2.8)	.205 (5.2)	.236 (6.0)		.551 (14.0)	.827 (21.0)				
10-03-530	.118 (3.0)	.217 (5.5)	.079 (2.0)		.472 (12.0)	.591 (15.0)				
10-03-6228	.110 (2.8)	.244 (6.2)	.276 (7.0)	.079 (2.0)	.591 (15.0)	.945 (24.0)				
10-03-045	.177 (4.5)	.276 (7.0)	.098 (2.5)	.039 (1.0)	.512 (13.0)	.650 (16.5)				
10-10-315	.059 (1.5)		.118 (3.0)	.039 (1.0)	.315 (8.0)	.472 (12.0)	.091 (2.3)	.059 (1.5)		2
10-10-418	.079 (2.0)			.079 (2.0)	.394 (10.0)		.095 (2.4)	.079 (2.0)		
10-10-215	.094 (2.4)		.197 (5.0)		.315 (8.0)		.126 (3.2)	.095 (2.4)		
10-11-0201	.083 (2.1)		.118 (3.0)		.394 (10.0)	.591 (15.0)	.158 (4.0)	.083 (2.1)		
10-11-020	.091 (2.3)			.079 (2.0)				.091 (2.3)		
10-11-125	.094 (2.4)		.197 (5.0)		.315 (8.0)		.161 (4.1)	.094 (2.4)		
10-11-332	.146 (3.7)				.323 (8.2)		.169 (4.3)	.146 (3.7)		
Tolerance ±			.039 (1.0)		.039 (1.0)					

PACKAGING: 1000/bag



Get quote >>

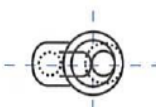
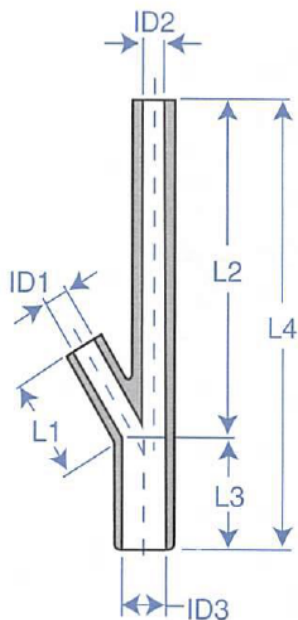
Angic Global Solutions

1-888-872-0690

<https://www.AngicGlobal.com> Sales@AngicGlobal.com

**14 SERIES**

- Two pronged round shield caps
- UL temperature rating: 105°C
- CSA temperature rating: 90°C
- UL voltage: 600V
- CSA voltage: 300V



MATERIAL	PVC, SOFT, SPECIALLY FORMULATED
UL RATING	94V-0
UL FILE NO.	E58538
CSA NO.	LR52853 / LR52854
COLOR	TRANSPARENT BLUE
RoHS COMPLIANCE	YES
TEMPERATURE RANGE (REF.)	-40 to 122°F (-40 to 50°C)
MR NUMBER	26

ITEM NO.	ID <sub>1</sub>		ID <sub>2</sub>		ID <sub>3</sub>		L <sub>1</sub>		L <sub>2</sub>		L <sub>3</sub>		L <sub>4</sub>	
	inches	(mm)	inches	(mm)	inches	(mm)	inches	(mm)	inches	(mm)	inches	(mm)	inches	(mm)
10-14-525	.098	(2.5)	.059	(1.5)	.177	(4.5)	.394	(10.0)	1.18	(30.0)	.394	(10.0)	1.57	(40.0)
10-14-032	.126	(3.2)			.197	(5.0)	.591	(15.0)	.591	(15.0)	.787	(20.0)	1.38	(35.0)
10-14-530	.118	(3.0)	.118	(3.0)	.217	(5.5)	.472	(12.0)			.512	(13.0)	1.10	(28.0)
10-14-830					.228	(5.8)	1.57	(40.0)	1.57	(40.0)	.787	(20.0)	2.36	(60.0)
10-14-235	.138	(3.5)	.098	(2.5)	.244	(6.2)	.591	(15.0)	1.18	(30.0)	.591	(15.0)	1.77	(45.0)
10-14-030	.118	(3.0)	.118	(3.0)	.354	(9.0)	.472	(12.0)	.591	(15.0)	.512	(13.0)	1.10	(28.0)
Tolerance ±								.059	(1.5)		.039	(1.0)		

PACKAGING: 1000/bag



Get quote »

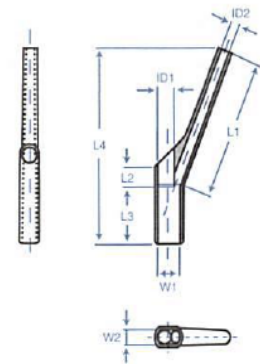
## 18 SERIES 19 SERIES 21 SERIES

MATERIAL	PVC, SOFT, SPECIALLY FORMULATED
UL RATING	94V-0
UL FILE NO.	E58538
CSA NO.	LR52853 / LR52854
COLOR	TRANSPARENT BLUE
RoHS COMPLIANCE	YES
TEMPERATURE RANGE (REF.)	-40 to 122°F (-40 to 50°C)
MR NUMBER	26



- Two pronged flat round shield caps
- UL temperature rating: 105°C
- CSA temperature: 90°C
- UL voltage: 600V
- CSA voltage: 300V

ITEM NO.	ID1	ID2	L1	L2	L3	L4	W1	W2
	inches (mm)	inches (mm)	inches (mm)	inches (mm)	inches (mm)	inches (mm)	inches (mm)	inches (mm)
10-18-316	.630 (1.6)		1.18 (30.0)	.118 (3.0)	.276 (7.0)	1.46 (37.0)	.091 (2.3)	.063 (1.6)
10-18-618	.071 (1.8)	.059 (1.5)	.984 (25.0)	.158 (4.0)		1.38 (35.0)		.071 (1.8)
10-18-615	.059 (1.5)		1.18 (30.0)	.197 (5.0)	.394 (10.0)	1.57 (40.0)	.102 (2.6)	.079 (2.0)
10-19-218	.071 (1.8)	.051 (1.3)		.394 (10.0)	.394 (10.0)	1.57 (40.0)	.126 (3.2)	.091 (2.3)
10-19-220		.055 (1.4)	1.18 (30.0)	.276 (7.0)				
10-19-120	.079 (2.0)	.079 (2.0)			.276 (7.0)	1.46 (37.0)	.122 (3.1)	.091 (2.3)
10-19-215	.059 (1.5)	.059 (1.5)	1.26 (32.0)	.158 (4.0)	.315 (8.0)	1.57 (40.0)	.126 (3.2)	.094 (2.4)
10-19-525		.079 (2.0)	1.18 (30.0)	.315 (8.0)	.472 (12.0)	1.65 (42.0)		
10-19-5251	.098 (2.5)	.059 (1.5)			.394 (10.0)	1.57 (40.0)	.138 (3.5)	.098 (2.5)
10-21-023	.091 (2.3)		.984 (25.0)	.158 (4.0)	.394 (10.0)	1.38 (35.0)	.157 (4.0)	.091 (2.3)
10-21-125		.059 (1.5)	1.18 (30.0)	.236 (6.0)		1.50 (38.0)	.161 (4.1)	.094 (2.4)
10-21-325	.098 (2.5)		1.26 (32.0)	.158 (4.0)	.315 (8.0)	1.57 (40.0)	.169 (4.3)	.146 (3.7)
Tolerance ±			.039 (1.0)	.059 (1.5)	.039 (1.0)			



PACKAGING: 1000/bag

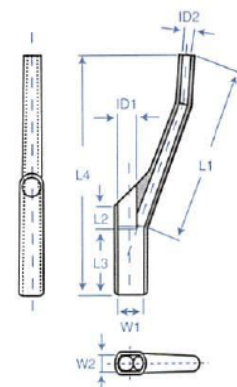
## 22 SERIES 24 SERIES

MATERIAL	PVC, SOFT, SPECIALLY FORMULATED
UL RATING	94V-0
UL FILE NO.	E58538
CSA NO.	LR52853 / LR52854
COLOR	TRANSPARENT BLUE
RoHS COMPLIANCE	YES
TEMPERATURE RANGE (REF.)	-40 to 122°F (-40 to 50°C)
MR NUMBER	26



- Two pronged flat round shield caps
- UL temperature rating: 105°C
- CSA temperature rating: 90°C
- UL voltage: 600V
- CSA voltage: 300V

ITEM NO.	ID1	ID2	L1	L2	L3	L4	W1	W2
	inches (mm)	inches (mm)	inches (mm)	inches (mm)	inches (mm)	inches (mm)	inches (mm)	inches (mm)
10-22-313	.051 (1.3)	.028 (.7)	.591 (15.0)		.315 (8.0)	.906 (23.0)	.091 (2.3)	.071 (1.8)
10-22-417						.984 (25.0)		
10-22-4171	.067 (1.7)	.031 (.8)	.787 (20.0)	.138 (3.5)	.394 (10.0)	1.18 (30.0)	.094 (2.4)	.079 (2.0)
10-22-4172			.984 (25.0)			1.38 (35.0)		
10-22-4173			1.18 (30.0)			1.57 (40.0)		
10-24-023		.031 (.8)	.787 (20.0)			1.18 (30.0)		
10-24-0231	.091 (2.3)		.984 (25.0)	.138 (3.5)	.394 (10.0)	1.38 (35.0)	1.57 (4.0)	.083 (2.1)
10-24-0232		.020 (.5)	1.18 (30.0)			1.57 (40.0)		
Tolerance ±			.039 (1.0)	.059 (1.5)	.039 (1.0)			

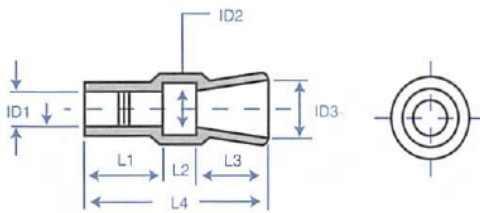


PACKAGING: 1000/bag



**42 SERIES**

- Round type insulating sleeve for pin plug
- For .197 (5.0mm) diameter series
- No corrosion when exposed to copper
- UL temperature rating: 105°C
- CSA temperature rating: 90°C
- UL voltage: 600V
- CSA voltage: 600V



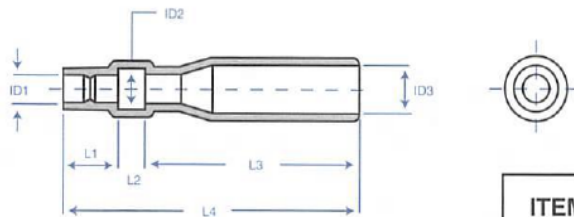
MATERIAL	PVC. SOFT. SPECIALLY FORMULATED
UL RATING	94V-0
UL FILE NO.	E58538
CSA NO.	LR52853 / LR52854
COLOR	TRANSPARENT BLUE
RoHS COMPLIANCE	YES
TEMPERATURE RANGE (REF.)	-40 to 122°F (-40 to 50°C)
MR NUMBER	26

ITEM NO.	ID1 inches (mm)	ID2 inches (mm)	ID3 inches (mm)	L1 inches (mm)	L2 inches (mm)	L3 inches (mm)	L4 inches (mm)
10-42-222	.087 (2.2)	.177 (4.5)		.276 (7.0)			.551 (14.0)
10-42-225	.098 (2.5)	.158 (4.0)		.236 (6.0)			.512 (13.0)
10-42-228	.110 (2.8)	.177 (4.5)		.276 (7.0)			.551 (14.0)
10-42-230	.118 (3.0)	.158 (4.0)	.197 (5.0)	.236 (6.0)	.098 (2.5)	.177 (4.5)	.512 (13.0)
10-42-232	.126 (3.2)			.276 (7.0)			.551 (14.0)
10-42-235	.138 (3.5)	.177 (4.5)					.512 (13.0)
10-42-240	.158 (4.0)			.236 (6.0)			.512 (13.0)
Tolerance ±				.039 (1.0)		.039 (1.0)	

PACKAGING: 1000/bag

**44 SERIES**

- Round type insulating sleeve for pin receptacle
- For .197 (5.0mm) diameter series
- No corrosion when exposed to copper
- UL temperature rating: 105°C
- CSA temperature rating: 90°C
- UL voltage: 600V
- CSA voltage: 600V



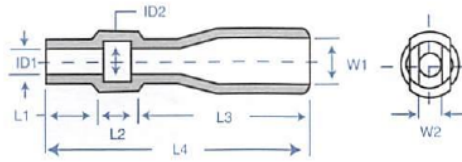
MATERIAL	PVC. SOFT. SPECIALLY FORMULATED
UL RATING	94V-0
UL FILE NO.	E58538
CSA NO.	LR52853 / LR52854
COLOR	TRANSPARENT BLUE
RoHS COMPLIANCE	YES
TEMPERATURE RANGE (REF.)	-40 to 122°F (-40 to 50°C)
MR NUMBER	26

ITEM NO.	ID1 inches (mm)	ID2 inches (mm)	ID3 inches (mm)	L1 inches (mm)	L2 inches (mm)	L3 inches (mm)	L4 inches (mm)
10-44-025	.098 (2.5)	.158 (4.0)					
10-44-028	.110 (2.8)			.236 (6.0)			1.30 (33.0)
10-44-030	.118 (3.0)	.177 (4.5)	.197 (5.0)		.098 (2.5)	.965 (24.5)	
10-44-032	.126 (3.2)			.278 (7.0)			1.34 (34.0)
10-44-035	.138 (3.5)	.158 (4.0)					
10-44-040	.158 (4.0)	.177 (4.5)		.236 (6.0)			1.30 (33.0)
Tolerance ±				.039 (.1)		.039 (.1)	

PACKAGING: 1000/bag



## 46 SERIES



- Insulating sleeves for flat type pin receptacles
- 110 series
- UL temperature rating: 105°
- CSA temperature rating: 105°
- UL voltage: 600V
- CSA voltage: 600V

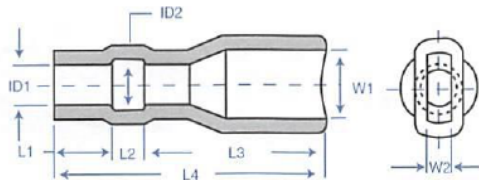
MATERIAL	PVC, SOFT, SPECIALLY FORMULATED
UL RATING	94V-0
UL FILE NO.	E58538
CSA NO.	LR52853 / LR52854
COLOR	TRANSPARENT BLUE
RoHS COMPLIANCE	YES
TEMPERATURE RANGE (REF.)	-40 to 122°F (-40 to 50°C)
MR NUMBER	26



ITEM NO.	ID1 inches (mm)	ID2 inches (mm)	L1 inches (mm)	L2 inches (mm)	L3 inches (mm)	L4 inches (mm)	W1 inches (mm)	W2 inches (mm)	
10-46-015	.059 (1.5)	.118 (3.0)	.197 (5.0)	.098 (2.5)	.610 (15.5)	.906 (23.0)	.158 (4.0)	.079 (2.0)	
10-46-016	.063 (1.6)	.134 (3.4)	.118 (3.0)		.492 (12.5)	.709 (18.0)		.083 (2.1)	
10-46-018	.071 (1.8)	.130 (3.3)	.197 (5.0)		.531 (13.5)	.827 (21.1)		.079 (2.0)	
10-46-020	.079 (2.0)	.138 (3.5)			.610 (15.5)	.906 (23.0)			
10-46-025	.098 (2.5)	.169 (4.3)	.197 (5.0)		.531 (13.5)	.827 (21.0)		.083 (2.1)	
10-46-028	.110 (2.8)				.150 (3.8)	.610 (15.5)		.906 (23.0)	.079 (2.0)
10-46-030	.118 (3.0)	.177 (4.5)	.039 (1.0)		.039 (1.0)	.610 (15.5)		.906 (23.0)	.079 (2.0)
10-46-035	.138 (3.5)								
Tolerance ±									

PACKAGING: 1000/bag

## 48 SERIES



- Insulating sleeves for flat type pin receptacles
- UL temperature rating: 105°
- CSA temperature rating: 105°
- UL voltage: 600V
- CSA voltage: 600V

MATERIAL	PVC, SOFT, SPECIALLY FORMULATED
UL RATING	94V-0
UL FILE NO.	E58538
CSA NO.	LR52853 / LR52854
COLOR	TRANSPARENT BLUE
RoHS COMPLIANCE	YES
TEMPERATURE RANGE (REF.)	-40 to 122°F (-40 to 50°C)
MR NUMBER	26



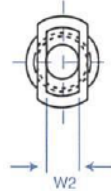
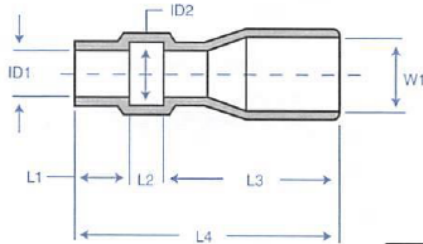
ITEM NO.	ID1 inches (mm)	ID2 inches (mm)	L1 inches (mm)	L2 inches (mm)	L3 inches (mm)	L4 inches (mm)	W1 inches (mm)	W2 inches (mm)
10-48-815	.059 (1.5)	.118 (3.0)	.197 (5.0)	.118 (3.0)	.591 (15.0)	.906 (23.0)	.228 (5.8)	.087 (2.2)
10-48-818	.071 (1.8)	.130 (3.3)		.098 (2.5)	.610 (15.5)			
10-48-820	.079 (2.0)	.138 (3.5)						
10-48-822	.087 (2.2)	.146 (3.7)		.118 (3.0)	.591 (15.0)			
10-48-825	.098 (2.5)	.138 (3.5)						
10-48-830	.118 (3.0)	.158 (4.0)		.039 (1.0)	.039 (1.0)			
10-48-835	.138 (3.5)	.177 (4.5)						
10-48-840	.158 (4.0)	.197 (5.0)						
10-48-845	.177 (4.5)	.217 (5.5)						
Tolerance ±								

PACKAGING: 1000/bag



**50 SERIES**

- Insulating sleeves for flat type pin receptacles
- 205 series
- UL temperature rating: 105°
- CSA temperature rating: 105°
- UL voltage: 600V
- CSA voltage: 600V



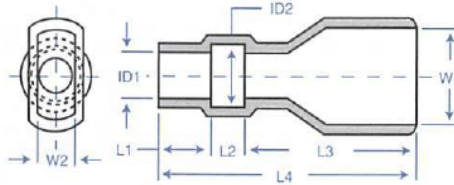
MATERIAL	PVC. SOFT. SPECIALLY FORMULATED
UL RATING	94V-0
UL FILE NO.	E58538
CSA NO.	LR52853 / LR52854
COLOR	TRANSPARENT BLUE
RoHS COMPLIANCE	YES
TEMPERATURE RANGE (REF.)	-40 to 122°F (-40 to 50°C)
MR NUMBER	26

ITEM NO.	ID1 inches (mm)	ID2 inches (mm)	L1 inches (mm)	L2 inches (mm)	L3 inches (mm)	L4 inches (mm)	W1 inches (mm)	W2 inches (mm)
10-50-520	.079 (2.0)	.138 (3.5)	.197 (5.0)	.118 (3.0)	.630 (16.0)	.945 (24.0)	.256 (6.5)	.118 (3.0)
10-50-525	.098 (2.5)							
10-50-530	.118 (3.0)	.158 (4.0)						
10-50-535	.138 (3.5)	.177 (4.5)						
10-50-540	.158 (4.0)	.197 (5.0)						
10-50-548	.189 (4.8)	.236 (6.0)						
Tolerance ±			.039 (1.0)		.039 (1.0)			

PACKAGING: 1000/bag

**52 SERIES**

- Insulating sleeves for flat type pin receptacles
- 250 series
- UL temperature rating: 105°
- CSA temperature rating: 105°
- UL voltage: 600V
- CSA voltage: 600V



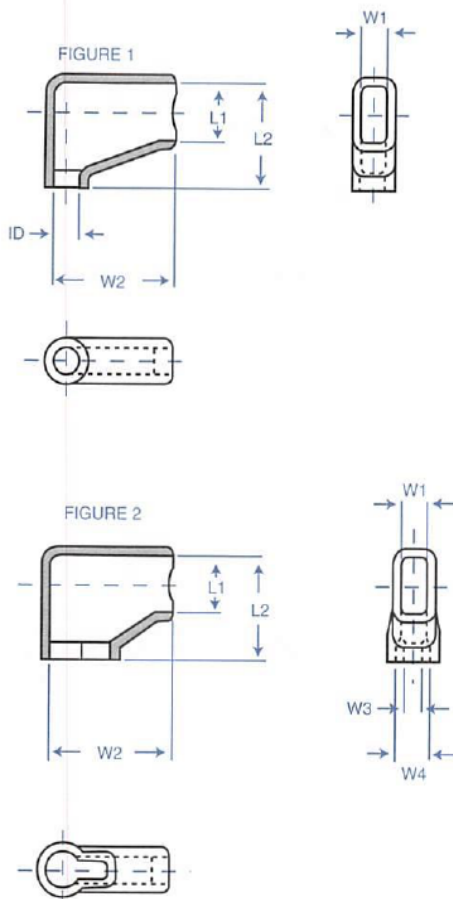
MATERIAL	PVC. SOFT. SPECIALLY FORMULATED
UL RATING	94V-0
UL FILE NO.	E58538
CSA NO.	LR52853 / LR52854
COLOR	TRANSPARENT BLUE
RoHS COMPLIANCE	YES
TEMPERATURE RANGE (REF.)	-40 to 122°F (-40 to 50°C)
MR NUMBER	26

ITEM NO.	ID1 inches (mm)	ID2 inches (mm)	L1 inches (mm)	L2 inches (mm)	L3 inches (mm)	L4 inches (mm)	W1 inches (mm)	W2 inches (mm)
10-52-020	.079 (2.0)	.126 (3.2)	.197 (5.0)	.118 (3.0)	.630 (16.0)	.945 (24.0)	.315 (8.0)	.138 (3.5)
10-52-025	.098 (2.5)	.177 (4.5)						
10-52-030	.118 (3.0)	.185 (4.7)		.138 (3.5)	.610 (15.5)			
10-52-032	.126 (3.2)			.098 (2.5)	.650 (16.5)			
10-52-035	.138 (3.5)	.177 (4.5)		.118 (3.0)	.630 (16.0)	.984 (25.0)		
10-52-038	.150 (3.8)	.209 (5.3)		.098 (2.5)	.689 (17.5)			
10-52-040	.158 (4.0)	.197 (5.0)		.118 (3.0)	.630 (16.0)	.965 (24.5)		
10-52-048	.189 (4.8)	.248 (6.3)		.098 (2.5)	.689 (17.5)	.984 (25.0)		
10-52-060	.236 (6.0)	.295 (7.5)			.768 (19.5)	1.06 (27.0)		
Tolerance ±				.039 (1.0)		.039 (1.0)		

PACKAGING: 1000/bag



## 54 SERIES 56 SERIES 58 SERIES 60 SERIES



- Insulating sleeves for flag type receptacles
- 10-54 series for 110 series
- 10-56 series for 187 series
- 10-58 series for 205 series
- 10-60 series for 250 series
- No negative effects due to exposure to copper
- UL temperature rating: 105°
- CSA temperature rating: 105°
- UL voltage: 600V
- CSA voltage: 600V



MATERIAL	PVC, SOFT, SPECIALLY FORMULATED
UL RATING	94V-0
UL FILE NO.	E58538
CSA NO.	LR52853 / LR52854
COLOR	TRANSPARENT BLUE
RoHS COMPLIANCE	YES
TEMPERATURE RANGE (REF.)	-40 to 122°F (-40 to 50°C)
MR NUMBER	26

ITEM NO.	ID	L1	L2	W1	W2	W3	W4	Figure No.
	inches (mm)	inches (mm)	inches (mm)	inches (mm)	inches (mm)	inches (mm)	inches (mm)	
10-54-535	.138 (3.5)	.177 (4.5)	.531 (13.5)	.098 (2.5)	.472 (12.0)			1
10-56-225	.098 (2.5)	.244 (6.2)	.453 (11.5)	.118 (3.0)	.551 (14.0)			1
10-56-230	.118 (3.0)							
10-56-232	.126 (3.2)							
10-58-525	.098 (2.5)	.335 (8.5)	.531 (13.5)	.177 (4.5)	.689 (17.5)			1
10-58-530	.118 (3.0)							
10-58-532	.126 (3.2)							
10-58-540	.158 (4.0)							
10-58-548	.189 (4.8)							
10-58-550	.197 (5.0)							
10-60-187		.197 (5.0)	.453 (11.5)	.114 (2.9)	.512 (13.0)	.079 (2.0)	.126 (3.2)	2
10-60-205		.217 (5.5)	.551 (14.0)	.126 (3.2)	.492 (12.5)			
10-60-250		.256 (6.5)		.138 (3.5)	.650 (16.5)			
Tolerance ±					.039 (1.0)			

PACKAGING: 1000/bag



Get quote »

69 SERIES

- Fuse cover
- For fuse clips and blocks mounted to PC boards
- UL temperature rating: 105°
- CSA temperature rating: 105°
- UL voltage: 600V
- CSA voltage: 600V

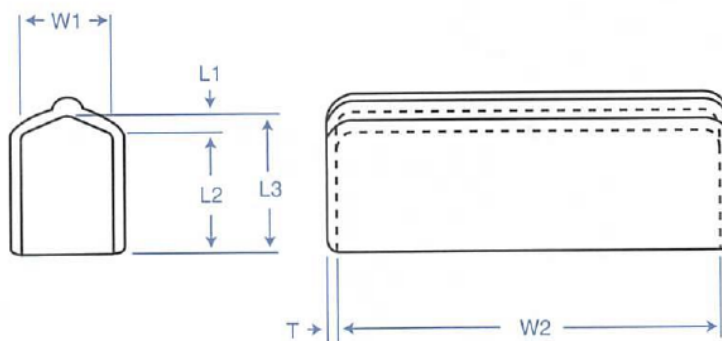


FIGURE 1

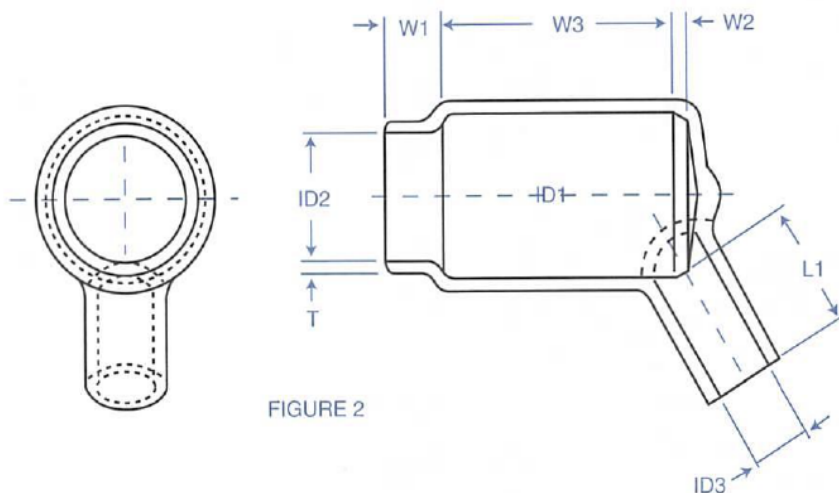


FIGURE 2

MATERIAL	PVC, SOFT, SPECIALLY FORMULATED
UL RATING	94V-0
UL FILE NO.	E58538
CSA NO.	LR52853 / LR52854
COLOR	TRANSPARENT BLUE
RoHS COMPLIANCE	YES
TEMPERATURE RANGE (REF.)	-40 to 122°F (-40 to 50°C)
MR NUMBER	26

ITEM NO.	W <sub>1</sub>		L <sub>2</sub>		W <sub>2</sub>		L <sub>3</sub>		L <sub>1</sub>		T		Fig. No.
	inches	(mm)	inches	(mm)	inches	(mm)	inches	(mm)	inches	(mm)	inches	(mm)	
10-69-620	.236	(6.0)	.394	(10.0)	.787	(20.0)	.453	(11.5)	.059	(1.5)	.039	(1.0)	1
10-69-622	.236	(6.0)	.315	(8.0)	.886	(22.5)	.394	(10.0)	.079	(2.0)	.039	(1.0)	
10-69-730	.276	(7.0)	.394	(10.0)	1.18	(30.0)	.472	(12.0)	.079	(2.0)	.039	(1.0)	
10-69-832	.315	(8.0)	.394	(10.0)	1.26	(32.0)	.453	(11.5)	.059	(1.5)	.039	(1.0)	
10-69-836	.315	(8.0)	.394	(10.0)	1.42	(36.0)	.472	(12.0)	.079	(2.0)	.039	(1.0)	

ITEM NO.	W <sub>1</sub>	W <sub>3</sub>	W <sub>2</sub>	L <sub>1</sub>	ID <sub>1</sub>	ID <sub>2</sub>	ID <sub>3</sub>	T	Fig. No.
	inches (mm)	inches (mm)	inches (mm)	inches (mm)	inches (mm)	inches (mm)	inches (mm)	inches (mm)	
10-69-610	.118 (3.0)	.276 (7.0)	.018 (.5)	.394 (10.0)	.276 (7.0)	.236 (6.0)	.059 (1.5)	.032 (.8)	2

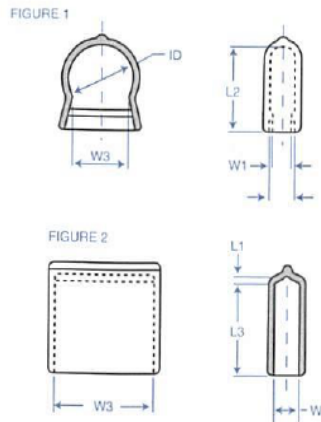
PACKAGING: 1000/bag



## 73 SERIES 74 SERIES

- Insulation cover for round type capacitors (10-73 series)
- Insulation cover for square type capacitors (10-74 series)
- UL temperature rating: 105°
- CSA temperature rating: 105°
- UL voltage: 600V
- CSA voltage: 600V

MATERIAL	PVC. SOFT. SPECIALLY FORMULATED
UL RATING	94V-0
UL FILE NO.	E58538
CSA NO.	LR52853 / LR52854
COLOR	TRANSPARENT BLUE
RoHS COMPLIANCE	YES
TEMPERATURE RANGE (REF.)	-40 to 122°F (-40 to 50°C)
MR NUMBER	26



ITEM NO.	ID		L1		L2		L3		W1		W2		W3		Fig. No.	
	inches	(mm)	inches	(mm)	inches	(mm)	inches	(mm)	inches	(mm)	inches	(mm)	inches	(mm)		
10-73-830	.315	(8.0)			.413	(10.5)				.118	(3.0)	.118	(3.0)	.295	(7.5)	1
10-73-040	.413	(10.5)			.512	(13.0)					.158	(4.0)	.354	(9.0)		
10-73-248	.492	(12.5)			.748	(19.0)				.150	(3.8)	.189	(4.8)	.394	(10.0)	
10-73-348	.512	(13.0)			.630	(16.0)				.118	(3.0)	.158	(4.0)	.453	(11.5)	
10-73-440	.551	(14.0)			.728	(18.5)							.472	(12.0)		
10-73-640	.630	(16.0)											.512	(13.0)		
10-74-601			.039	(1.0)			.551	(14.0)		.059	(1.5)			.630	(16.0)	2
Tolerance ±					.039	(1.0)					.008	(.2)				



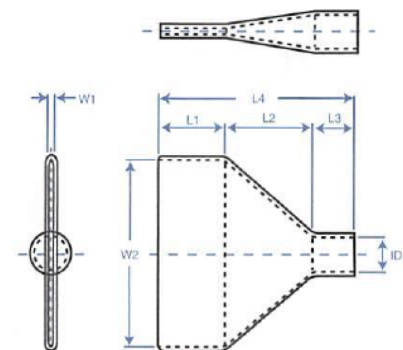
PACKAGING: 1000/bag

MATERIAL	PVC. SOFT. SPECIALLY FORMULATED
UL RATING	94V-0
UL FILE NO.	E58538
CSA NO.	NA
COLOR	TRANSPARENT BLUE
RoHS COMPLIANCE	YES
TEMPERATURE RANGE (REF.)	-40 to 122°F (-40 to 50°C)
MR NUMBER	26

## 75 SERIES

- Coupler cover for flat cable
- Protects cable and connector
- Improves appearance, reduces clutter

ITEM NO.	ID		L1		L2		L3		L4		W1		W2	
	inches	(mm)	inches	(mm)	inches	(mm)	inches	(mm)	inches	(mm)	inches	(mm)	inches	(mm)
10-75-157	.295	(7.5)	.315	(8.0)	.984	(25.0)	.906	(23.0)	2.20	(56.0)	.059	(1.5)	.472	(12.0)
10-75-039	.402	(10.2)	.394	(10.0)	.551	(14.0)	.394	(10.0)	1.34	(34.0)	.098	(2.5)	1.02	(26.0)
10-75-018	.343	(8.7)	.709	(18.0)	1.26	(32.0)			2.56	(65.0)	.040	(1.1)	1.30	(33.0)
10-75-019	.354	(9.0)	.787	(20.0)	.945	(24.0)	.591	(15.0)	2.32	(59.0)			1.52	(38.5)
10-75-013	.512	(13.0)	1.18	(30.0)	.669	(17.0)			2.44	(62.0)	.039	(1.0)		
10-75-021	.453	(11.5)	.394	(10.0)	1.22	(31.0)	.945	(24.0)	2.56	(65.0)	.098	(2.5)	1.65	(42.0)
10-75-3019	.382	(9.7)	.709	(18.0)	.866	(22.0)			2.17	(55.0)	.040	(1.1)	1.69	(43.0)
10-75-023	.531	(13.5)	.984	(25.0)	.394	(10.0)			1.97	(50.0)	.098	(2.5)	2.01	(51.0)
10-75-011	.441	(11.2)	.945	(24.0)	1.26	(32.0)	.591	(15.0)	2.80	(71.0)	.051	(1.3)	2.13	(54.0)
10-75-025	.591	(15.0)	.984	(25.0)	.394	(10.0)			1.97	(50.0)	.098	(2.5)	2.50	(63.5)
10-75-012	.480	(12.2)	.945	(24.0)	1.26	(32.0)			2.80	(71.0)	.051	(1.3)	2.52	(64.0)
10-75-4025	.610	(15.5)	.984	(25.0)	.591	(15.0)			2.17	(55.0)	.098	(2.5)	2.93	(74.5)

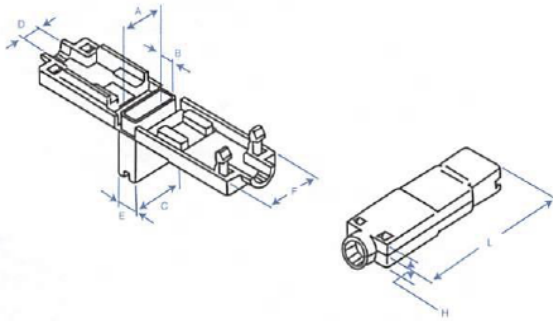


PACKAGING: 1000/bag (10-00-10 thru 10-00-141)  
 500/bag (10-00-221 thru 10-00-601)  
 250/bag (10-00-801 thru 10-00-3251)



90 SERIES

- Insulating sleeve for straight type receptacles
- Installs easily by hand
- For pre-assembled wire and receptacle
- For 110, 187, 205 and 250 terminal type series



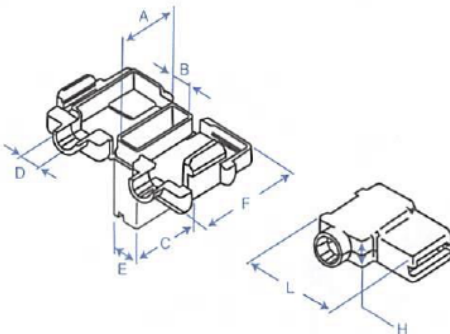
MATERIAL	NYLON 66
UL RATING	94V-2
UL FILE NO.	E53664
CSA NO.	LR83372
COLOR	NATURAL
ASTM	D 4066, PA111
RoHS COMPLIANCE	YES
TEMPERATURE RANGE (REF.)	-40 to 185°F (-40 to 85°C)
MR NUMBER	05

ITEM NO.		WIRE DIAMETER inches (mm)	D inches (mm)	A inches (mm)	B inches (mm)	C inches (mm)	E inches (mm)	F inches (mm)	H inches (mm)	L inches (mm)
UL94V-2	UL94V-0									
10-90-110	10-90-110X	.118 (3.0)	.118 (3.0)	.161 (4.1)	.091 (2.3)	.236 (6.0)	.154 (3.9)	.315 (8.0)	.181 (4.6)	.878 (22.3)
10-90-111	10-90-111X			.083 (2.1)	.240 (6.1)	.161 (4.1)	.343 (8.7)	.898 (22.8)		
10-90-187	10-90-187X	.142 (3.6)	.142 (3.6)	.240 (6.1)	.102 (2.6)	.295 (7.5)	.154 (3.9)	.346 (8.8)	.205 (5.2)	.862 (21.9)
10-90-205	10-90-205X			.260 (6.6)	.118 (3.0)	.331 (8.4)	.181 (4.6)	.339 (8.6)	.969 (24.6)	
10-90-250	10-90-250X	.161 (4.1)	.161 (4.1)	.315 (8.0)	.134 (3.4)	.366 (9.3)	.185 (4.7)	.378 (9.6)	.220 (5.6)	1.02 (26.0)
Tolerance ±							.008 (.2)			.020 (.5)

PACKAGING: 500/bag

91 SERIES

- Insulating sleeve for flag type receptacles
- Installs easily by hand
- For pre-assembled wire and receptacle
- For 187, 205 and 250 terminal type series



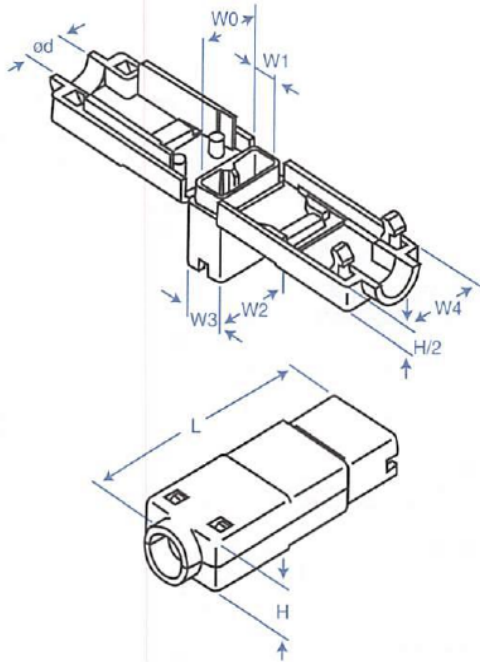
MATERIAL	NYLON 66
UL RATING	94V-2
UL FILE NO.	E53664
CSA NO.	LR83372
COLOR	NATURAL
ASTM	D 4066, PA111
RoHS COMPLIANCE	YES
TEMPERATURE RANGE (REF.)	-40 to 185°F (-40 to 85°C)
MR NUMBER	05

ITEM NO.		WIRE DIAMETER inches (mm)	D inches (mm)	A inches (mm)	B inches (mm)	C inches (mm)	E inches (mm)	F inches (mm)	H inches (mm)	L inches (mm)
UL94V-2	UL94V-0									
10-91-187	10-91-187X	.134 (3.4)	.134 (3.4)	.252 (6.4)	.118 (3.0)	.311 (7.9)	.177 (4.5)	.531 (13.5)	.213 (5.4)	.575 (14.6)
10-91-188	10-91-199X			.142 (3.6)	.142 (3.6)	.315 (8.0)	.181 (4.6)	.642 (16.3)		
10-91-205	10-91-205X	.158 (4.0)	.158 (4.0)	.272 (6.9)	.122 (3.1)	.343 (8.7)	.193 (4.9)	.579 (14.7)	.228 (5.8)	.661 (16.8)
10-91-250	10-91-250X			.346 (8.8)	.154 (3.9)	.406 (10.3)	.201 (5.1)	.630 (16.0)	.236 (6.0)	.709 (18.0)
Tolerance ±							.008 (.2)			.020 (.5)

PACKAGING: 500/bag



## 92 SERIES



- Insulating sleeve straight-type terminal (positive lock)
- For 187 and 250 terminal series

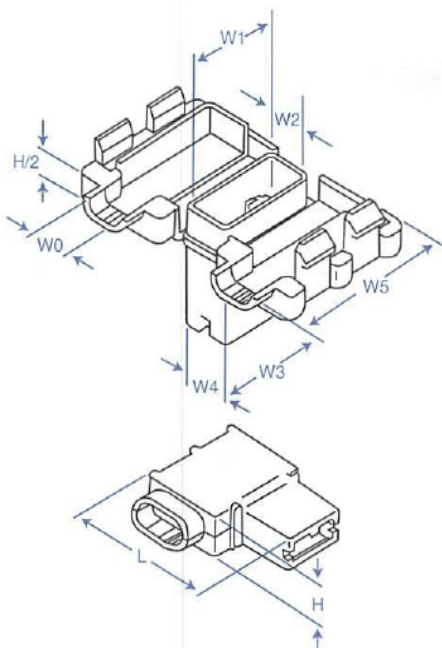


MATERIAL	NYLON 66
UL RATING	94V-2
UL FILE NO.	E53664
CSA NO.	LR83372
COLOR	WHITE
ASTM	D 4066, PA111
RoHS COMPLIANCE	YES
TEMPERATURE RANGE (REF.)	-40 to 185°F (-40 to 85°C)
MR NUMBER	05

ITEM No. UL94V-0	Ød		W <sub>0</sub>		W <sub>1</sub>		W <sub>2</sub>		W <sub>3</sub>		W <sub>4</sub>		H		L	
	inches	(mm)	inches	(mm)	inches	(mm)	inches	(mm)	inches	(mm)	inches	(mm)	inches	(mm)	inches	(mm)
10-92-187X	.158	(4.0)	.228	(5.8)	.105	(2.7)	.284	(7.2)	.158	(4.0)	.370	(9.4)	.221	(5.6)	.976	(24.8)
10-92-250X	.173	(4.4)	.319	(8.1)	.134	(3.4)	.374	(9.5)	.189	(4.8)	.394	(10.0)	.236	(6.0)	1.10	(28.0)

PACKAGING: 500/bag

## 93 SERIES



- Insulating sleeve flag-type terminal (positive lock)
- For 187 and 250 terminal series



MATERIAL	NYLON 66
UL RATING	94V-2
UL FILE NO.	E53664
CSA NO.	LR83372
COLOR	NATURAL / WHITE
ASTM	D 4066, PA111
RoHS COMPLIANCE	YES
TEMPERATURE RANGE (REF.)	-40 to 185°F (-40 to 85°C)
MR NUMBER	05

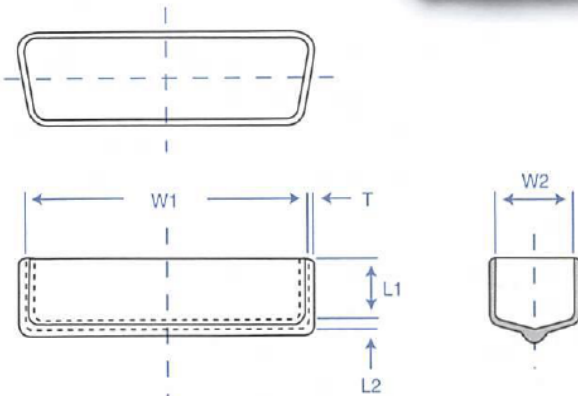
ITEM NO. UL94V-2	UL94V-0	W <sub>0</sub>		W <sub>1</sub>		W <sub>2</sub>		W <sub>3</sub>		W <sub>4</sub>		W <sub>5</sub>		H		L	
		inches	(mm)	inches	(mm)	inches	(mm)	inches	(mm)	inches	(mm)	inches	(mm)	inches	(mm)	inches	(mm)
10-93-187	10-93-187X	.197	(5.0)	.236	(6.0)	.110	(2.8)	.315	(8.0)	.185	(4.7)	.571	(14.5)	.250	(6.4)	.677	(17.2)
10-93-250	10-93-250X	.236	(6.0)	.315	(8.0)	.134	(3.4)	.394	(10.0)	.213	(5.4)	.669	(17.0)	.276	(7.0)	.772	(19.6)

PACKAGING: 500/bag



**85 SERIES  
86 SERIES**

- Fuse cover for D type subminiature connectors
- 10-85 series for pin plug connectors
- 10-86 series for pin receptacle connectors
- UL temperature rating: 105°
- UL voltage: 600V



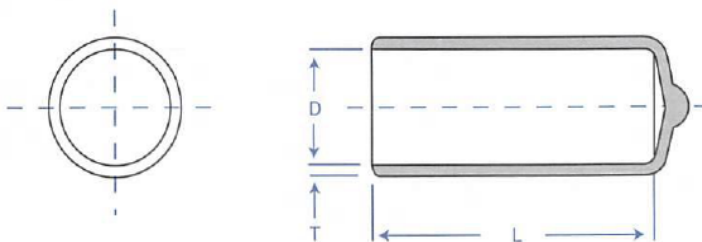
MATERIAL	PVC. SOFT. SPECIALLY FORMULATED
UL RATING	94V-0
UL FILE NO.	E58538
CSA NO.	NA
COLOR	TRANSPARENT BLUE
RoHS COMPLIANCE	YES
TEMPERATURE RANGE (REF.)	-40 to 122°F (-40 to 50°C)
MR NUMBER	26

ITEM NO.	L1		L2		W1		W2		T	
	inches	(mm)	inches	(mm)	inches	(mm)	inches	(mm)	inches	(mm)
10-85-09					.646	(16.4)				
10-85-15			.059	(1.5)	.969	(24.6)		.307	(7.8)	
10-85-25	.244	(6.2)			1.51	(38.3)				.039
10-85-37					2.16	(54.8)				
10-85-50			.079	(2.0)	2.06	(52.4)		.417	(10.6)	
10-86-09					.697	(17.7)		.362	(9.2)	
10-86-15	.236	(6.0)			1.02	(26.0)				
10-86-25			.079	(2.0)	1.57	(40.0)		.370	(9.4)	.039
10-86-37	.232	(5.9)			2.23	(56.7)		.378	(9.6)	
10-86-50					2.13	(54.0)		.484	(12.3)	
Tolerance ±	.039	(1.0)			.020	(.5)				.016

PACKAGING: 1000/bag

**88 SERIES**

- Cap protects studs from chemicals, paints, the elements, etc.
- Flame retardant
- Flexible
- UL temperature rating: 100°



MATERIAL	PVC. SOFT. SPECIALLY FORMULATED
UL RATING	94V-0
UL FILE NO.	E58538
CSA NO.	NA
COLOR	BLACK
RoHS COMPLIANCE	YES
TEMPERATURE RANGE (REF.)	-40 to 122°F (-40 to 50°C)
MR NUMBER	26

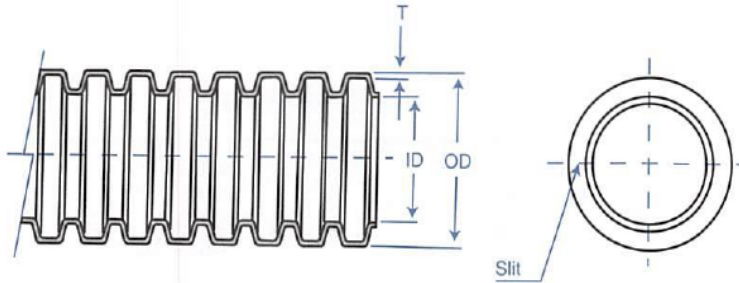
ITEM NO.	D		H		T	
	inches	(mm)	inches	(mm)	inches	(mm)
10-88-30	.110	(2.8)	1.18	(30.0)		
10-88-40	.150	(3.8)				
10-88-50	.189	(4.8)	1.57	(40.0)		.039
10-88-60	.224	(5.7)				
10-88-80	.303	(7.7)				
Tolerance ±			.039	(1.0)		

PACKAGING: 1000/bag



01 SERIES

- Protects wire/cable bundles from the elements and damage
- Flexible and durable
- Side slit reduces installation time
- Ideal for wire harness assembly



MATERIAL	POLYETHYLENE
UL RATING	NOT RATED
UL FILE NO.	
COLOR	BLACK
RoHS COMPLIANCE	YES
TEMPERATURE RANGE (REF.)	-76 to 190°F (-60 to 88°C)
MR NUMBER	07
SPECIAL FEATURES	HEAT STABILIZED

MATERIAL	NYLON 6
UL RATING	NA
UL FILE NO.	NA
COLOR	BLACK
RoHS COMPLIANCE	YES
TEMPERATURE RANGE (REF.)	-20 to 185°F (-29 to 85°C)
MR NUMBER	08

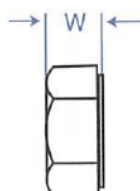
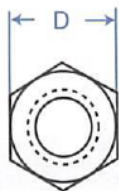
ITEM NO.		ID		OD		T	
Polyethylene	Nylon	inches	(mm)	inches	(mm)	inches	(mm)
11-01-250-P	11-01-250-N	.288	(7.3)	.390	(9.9)	.013	(.33)
11-01-375-P	11-01-375-N	.415	(10.5)	.532	(13.5)		
11-01-500-P	11-01-500-N	.511	(13.0)	.660	(16.8)		
11-01-625-P	11-01-625-N	.663	(16.8)	.806	(20.5)		
11-01-750-P	11-01-750-N	.790	(20.1)	.928	(23.8)		
11-01-1000-P	11-01-1000-N	.917	(23.3)	1.073	(27.3)		
Tolerances ±		.010		.010		.006	
*Additional materials available upon request							

PACKAGING: 100 ft./roll



**00 SERIES  
01 SERIES**

- Nylon hex nuts
- Standard & metric sizes available



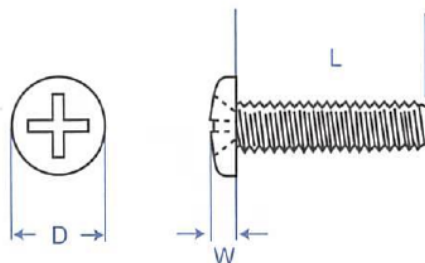
MATERIAL	NYLON 66
UL RATING	94V-2
UL FILE NO.	E41938
COLOR	NATURAL
ASTM	D 4066, PA111
RoHS COMPLIANCE	YES
TEMPERATURE RANGE (REF.)	-40 to 185°F (-40 to 85°C)
MR NUMBER	12

ITEM NO.	D		W		Thread Size
	inches	(mm)	inches	(mm)	
12-00-440	.250	(6.4)	.100	(2.5)	#4-40
12-00-632	.305	(7.8)	.120	(3.0)	#6-32
12-00-832	.335	(8.5)	.130	(3.3)	#8-32
12-01-400	.270	(6.9)	.120	(3.0)	M4
12-01-600	.390	(9.9)	.210	(5.4)	M6

PACKAGING: 1000/bag

**08 SERIES**

- Nylon metric screws
- Phillips pan head style



MATERIAL	NYLON 66
UL RATING	94V-2
UL FILE NO.	E41938
COLOR	NATURAL
ASTM	D 4066, PA111
RoHS COMPLIANCE	YES
TEMPERATURE RANGE (REF.)	-40 to 185°F (-40 to 85°C)
MR NUMBER	12

ITEM NO. UL94V-2	L		D		W		Thread Size
	inches	(mm)	inches	(mm)	inches	(mm)	
12-08-3060	.236	(6.0)	.217	(5.5)	.091	(2.3)	M3
12-08-3080	.315	(8.0)					
12-08-3100	.394	(10.0)					
12-08-3120	.472	(12.0)					
12-08-4060	.236	(6.0)	.307	(7.8)	.114	(2.9)	M4
12-08-4080	.315	(8.0)					
12-08-4100	.394	(10.0)					
12-08-4120	.472	(12.0)					
12-08-4160	.630	(16.0)					

PACKAGING: 1000/bag

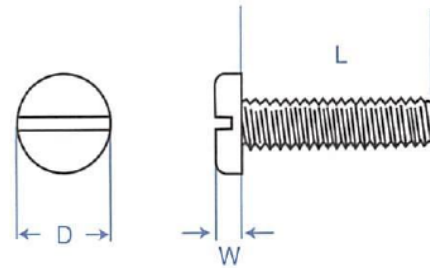


## 02 SERIES 03 SERIES 04 SERIES



- Nylon screws
- Slotted pan head style
- 4-40, 6-32, 8-32 thread

MATERIAL	NYLON 66
UL RATING	94V-2
UL FILE NO.	E41938
COLOR	NATURAL
ASTM	D 4066, PA111
RoHS COMPLIANCE	YES
TEMPERATURE RANGE (REF.)	-40 to 185°F (-40 to 85°C)
MR NUMBER	12



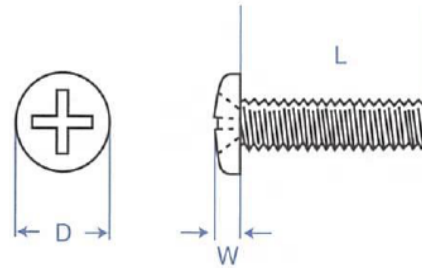
ITEM NO.		L		D		W	
#4-40 Thread	#6-32 Thread	#8-32 Thread	inches (mm)	inches (mm)	inches (mm)	inches (mm)	inches (mm)
12-02-20			.125 (3.2)				
12-02-30			.187 (4.8)				
12-02-40			.250 (6.4)				
12-02-50			.312 (7.9)				
12-02-60			.375 (9.5)				
12-02-70			.437 (11.1)	.210 (5.3)		.07 (1.8)	
12-02-80			.500 (12.7)				
12-02-100			.625 (15.9)				
12-02-120			.750 (19.1)				
12-02-140			.875 (22.2)				
12-02-160			1.00 (25.4)				
	12-03-20		.125 (3.2)				
	12-03-30		.187 (4.8)				
	12-03-40		.250 (6.4)				
	12-03-50		.312 (7.9)				
	12-03-60		.375 (9.5)				
	12-03-70		.437 (11.1)	.270 (6.9)		.08 (2.0)	
	12-03-80		.500 (12.7)				
	12-03-100		.625 (15.9)				
	12-03-120		.750 (19.1)				
	12-03-140		.875 (22.2)				
	12-03-160		1.00 (25.4)				
		12-04-20	.125 (3.2)				
		12-04-30	.187 (4.8)				
		12-04-40	.250 (6.4)				
		12-04-50	.312 (7.9)				
		12-04-60	.375 (9.5)				
		12-04-70	.437 (11.1)	.320 (8.1)		.08 (2.0)	
		12-04-80	.500 (12.7)				
		12-04-100	.625 (15.9)				
		12-04-120	.750 (19.1)				
		12-04-140	.875 (22.2)				
		12-04-160	1.00 (25.4)				

PACKAGING: 1000/bag



**05 SERIES  
06 SERIES  
07 SERIES**

- Nylon screws
- Phillips pan head style
- 4-40, 6-32, 8-32 thread



MATERIAL	NYLON 66
UL RATING	94V-2
UL FILE NO.	R70062
COLOR	NATURAL
ASTM	D 4066, PA111
RoHS COMPLIANCE	YES
TEMPERATURE RANGE (REF.)	-40 to 185°F (-40 to 85°C)
MR NUMBER	15

#4-40 Thread	ITEM NO.		L inches (mm)	D inches (mm)	W inches (mm)		
	#6-32 Thread	#8-32 Thread					
12-05-20			.125 (3.2)	.215 (5.4)	.075 (1.9)		
12-05-30			.187 (4.8)				
12-05-40			.250 (6.4)				
12-05-50			.312 (7.9)				
12-05-60			.375 (9.5)				
12-05-70			.437 (11.1)				
12-05-80			.500 (12.7)				
12-05-100			.625 (15.9)				
12-05-120			.750 (19.1)				
12-05-140			.875 (22.2)				
12-05-160			1.00 (25.4)				
	12-06-20		.125 (3.2)			.263 (6.7)	.092 (2.3)
	12-06-30		.187 (4.8)				
	12-06-40		.250 (6.4)				
	12-06-50		.312 (7.9)				
	12-06-60		.375 (9.5)				
	12-06-70		.437 (11.1)				
	12-06-80		.500 (12.7)				
	12-06-100		.625 (15.9)				
	12-06-120		.750 (19.1)				
	12-06-140		.875 (22.2)				
	12-06-160		1.00 (25.4)				
		12-07-20	.125 (3.2)	.320 (8.1)	.110 (2.80)		
		12-07-30	.187 (4.8)				
		12-07-40	.250 (6.4)				
		12-07-50	.312 (7.9)				
		12-07-60	.375 (9.5)				
		12-07-70	.437 (11.1)				
		12-07-80	.500 (12.7)				
		12-07-100	.625 (15.9)				
		12-07-120	.750 (19.1)				
		12-07-140	.875 (22.2)				
		12-07-160	1.00 (25.4)				

PACKAGING: 1000/bag



Get quote »

PRINTED CIRCUIT BOARD GUIDES

02 SERIES

Molded in Nylon 66, rated UL94V-2. ( V-0 available on special order)

Oxygen Index of 28 or greater.

RoHS compliant.

Hand installation. No fixtures or tools required

Slot accommodates standard 1/16 (1.6) thick circuit boards.

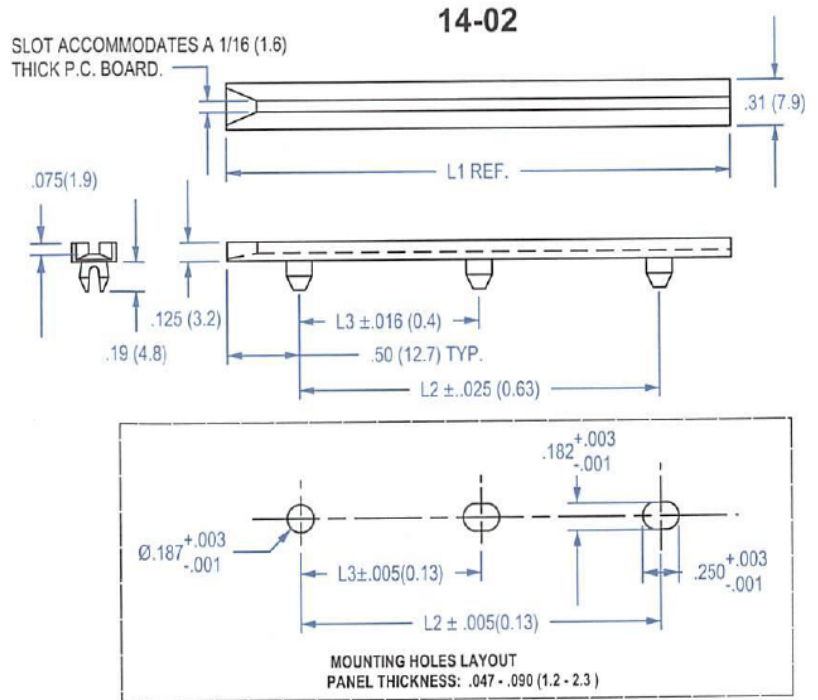
Interchange with industry's standard competitive guides.

Recommended mounting layout (hole and slot) should be followed.

14-02 LOW PROFILE, .187 (4.75) NOMINAL DIA. PINS

ITEM NO UL94-V2	L1 REFERENCE		L2		L3	
	IN.	mm	+/- .025 IN.	± 0.64 mm	+/- .016 ± 0.41 IN.	mm
14-02-250	2.5	63.5	1.5	38.1		
14-02-300	3.0	76.2	2.0	50.8		
14-02-350	3.5	88.9	2.5	63.5		
14-02-400	4.0	101	3.0	76.2		
14-02-450	4.5	114.3	3.0	76.2		
14-02-451	4.5	114.3	3.5	88.9		
14-02-500	5.0	127	4.0	101.6		
14-02-550	5.5	139.7	4.5	114.3		
14-02-600	6.0	152.4	5.0	127		
14-02-650	6.5	165.1	5.02	127.5		
14-02-651	6.5	165.1	5.5	139.7		
14-02-700	7.0	177.8	6.0	152.4		
14-02-750	7.5	190.5	6.5	165.1		
14-02-800	8.0	203.2	7.0	177.8		
14-02-800-3	8.0	203.2	7.0	177.8	3.5	88

PACKAGING: 500/bag



03 SERIES

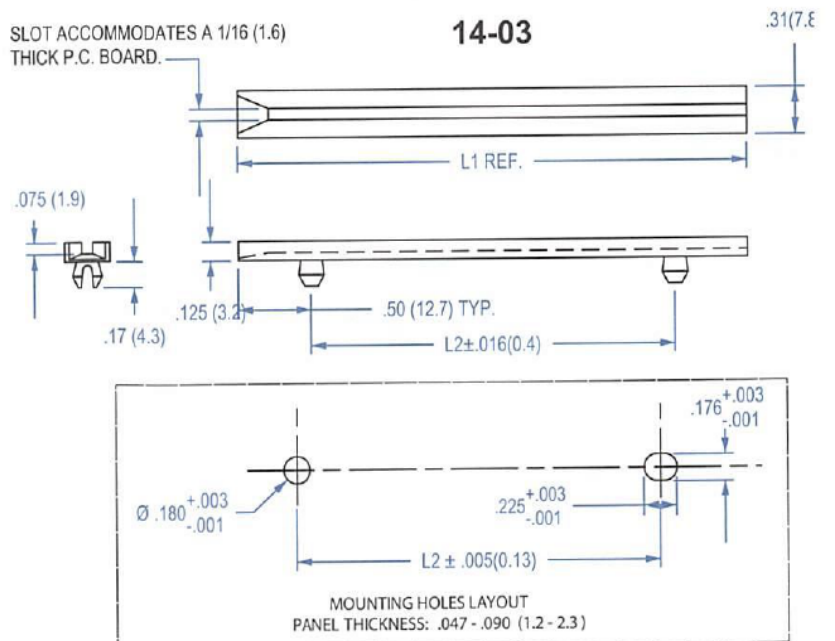
14-03 LOW PROFILE, .180 (4.57) NOMINAL DIA. PINS.

ITEM NO UL94-V2	L1 REFERENCE		L2	
	IN.	mm	+/- .016 (0.41) IN.	mm
14-03-250	2.5	63.5	1.5	38.1
14-03-300	3.0	76.2	2.0	50.8
14-03-350	3.5	88.9	2.5	63.5
14-03-400	4.0	101.6	3.0	76.2
14-03-450	4.5	114.3	3.5	88.9
14-03-500	5.0	127	4.0	101.6
14-03-550	5.5	139.7	4.5	114.3
14-03-600	6.0	152.4	5.0	127
14-03-650	6.5	165.1	5.5	139.7
14-03-700	7.0	177.8	6.0	152.4
14-03-750	7.5	190.5	6.5	165.1
14-03-800	8.0	203.2	7.0	177.8

PACKAGING: 500/bag

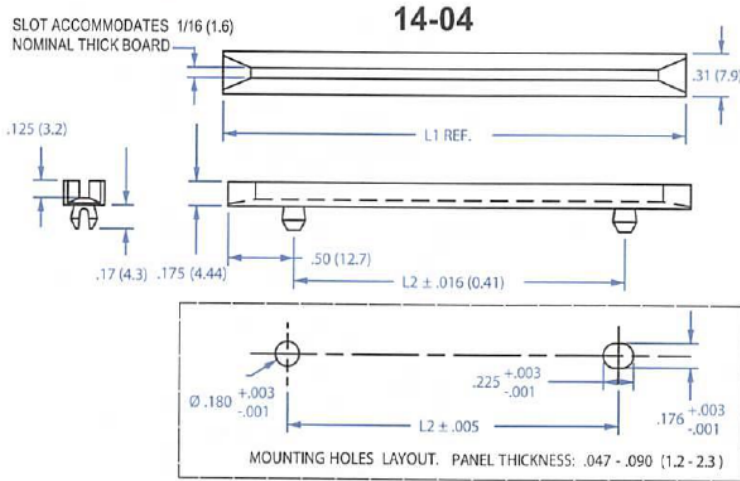
MATERIAL	NYLON 66
UL RATING	94V-2
UL FILE NO.	R70062
COLOR	NATURAL
ASTM	D 4066, PA0113
RoHS COMPLIANCE	YES
TEMPERATURE RANGE (REF.)	-40 to 185°F (-40 to 85°C)
MR NUMBER	01

V-0 RATED NYLON 66 AVAILABLE UPON REQUEST  
TO ORDER ADD SUFFIX "X" TO PART NUMBER.



Get quote

04 SERIES  
07 SERIES



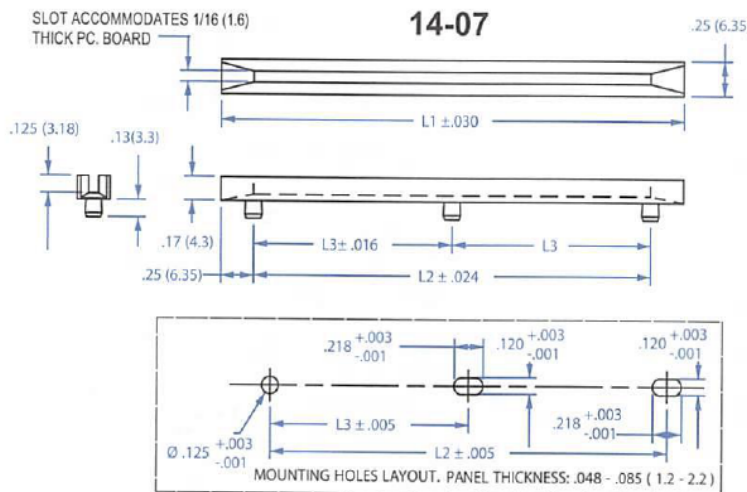
**14-04** DOUBLE ENTRY, .180(4.57) NOMINAL DIA. PINS

ITEM NO	L1 REFERENCE		L2 ±.016 ±.041	
	IN.	mm	IN.	mm
UL94-V2				
14-04-250	2.5	63.5	1.5	38.1
14-04-300	3.0	76.2	2.0	50.8
14-04-350	3.5	88.9	2.5	63.5
14-04-400	4.0	101.6	3.0	76.2
14-04-450	4.5	114.3	3.5	88.9
14-04-500	5.0	127	4.0	101.6
14-04-550	5.5	139.7	4.5	114.3
14-04-600	6.0	152.4	5.0	127
14-04-650	6.5	165.1	5.5	139.7
14-04-700	7.0	177.8	6.0	152.4
14-04-750	7.5	190.5	6.5	165.1
14-04-800	8.0	203.2	7.0	177.8

PACKAGING: 500pcs/bag

MATERIAL 14-04, 14-07	NYLON 66
UL RATING	94V-2
UL FILE NO.	R70062
COLOR	NATURAL
ASTM	D 4066, PA0113
RoHS COMPLIANCE	YES
TEMPERATURE RANGE (REF.)	-40 to 185°F (-40 to 85°C)
MR NUMBER	01

V-0 RATED NYLON AVAILABLE UPON REQUEST.  
TO ORDER ADD SUFFIX "X" TO PART NUMBER.

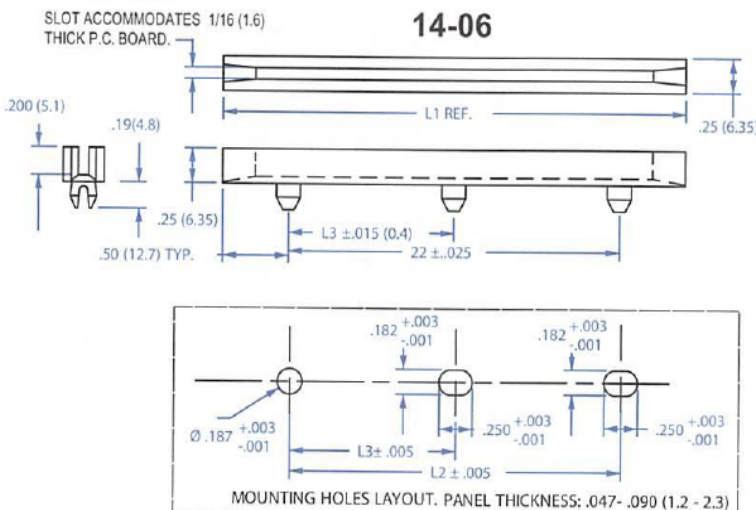


**14-07** DOUBLE ENTRY, .125 (3.18) NOMINAL DIA. PINS

ITEM NO	L1 ±.030		L2 ±.024 ±.061		L3 ±.016 ±.041	
	IN.	mm	IN.	mm	IN.	mm
UL94-V2						
14-07-2250	2.5	63.5	2.0	50.8		
14-07-2300	3.0	76.2	2.5	63.5		
14-07-2350	3.5	88.9	3.0	76.2		
14-07-2400	4.0	101.6	3.5	88.9		
14-07-2450	4.5	114.3	4.0	101.6		
14-07-2500	5.0	127	4.5	114.3		
14-07-2550	5.5	139.7	5.0	127		
14-07-2600	6.0	152.4	5.5	139.7		
14-07-2650	6.5	165.1	6.0	152.4		
14-07-2700	7.0	177.8	6.5	165.1		
14-07-2750	7.5	190.5	7.0	177.8		
14-07-2800	8.0	203.2	7.5	190.5		
14-07-2850	8.5	215.9	8.0	203.2		
14-07-3700	7.0	177.8	6.5	165.1	3.25	82.5
14-07-3750	7.5	190.5	7.0	177.8	3.5	88.9
14-07-3800	8.0	203.2	7.5	190.5	3.75	95.3
14-07-3850	8.5	215.9	8.0	203.2	4.0	101.6

PACKAGING: 500pcs/bag

06 SERIES



**14-06** DEEP CHANNEL, GLASS FILLED, .187 NOMINAL DIA. PINS

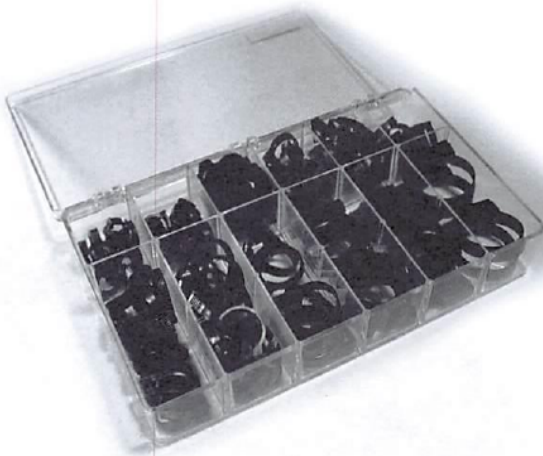
ITEM NO	L1 REF.		L2 ±.025 ±.063		L3 ±.015 ±.041	
	IN.	mm	IN.	mm	IN.	mm
UL94-V0						
14-06-250	2.5	63.5	1.5	38.1		
14-06-450	4.5	114.3	3.5	88.9		
14-06-600	6.0	152.4	5.0	127		
14-06-800	8.0	203.2	7.0	177.8		
14-06-800-3	8.0 (203.2)		7.0	177.8	3.5	88.9

PACKAGING: 500pcs/bag

MATERIAL	NYLON 66, glass filled
GLASS CONTENT	10%
UL RATING	94V-0
UL FILE NO.	E157318
COLOR	BLACK
ASTM	PA6-6GF10
RoHS COMPLIANCE	YES
TEMPERATURE RANGE (REF.)	-40 to 149°F (-40 to 65°C)
MR NUMBER	04



00 SERIES



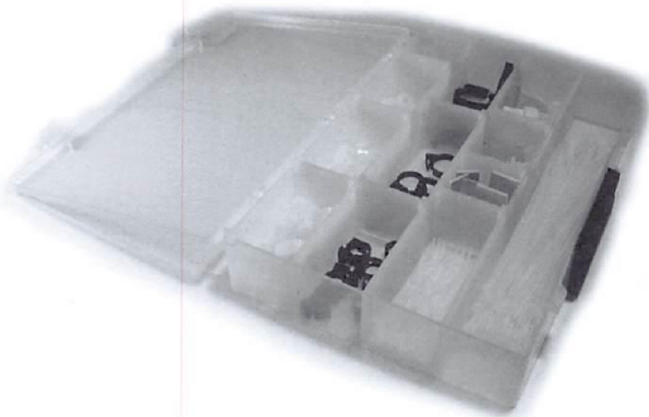
- Hose clamp kit
- Wide range of sizes included
- Variety of applications for the appliance, electronic/electrical and automotive industries
- Installs easily by hand on most liquid, vacuum or gas lines
- Hose clamps included are featured on page 58
- Kits can be customized to include your company name and logo; inquiries welcome



ITEM NO.	Kit Dimensions	Piece Count	Color (Clamps)	Color (Kit)
15-00-100	6 3/4 x 11	115	Black*	Clear
15-00-200	11 3/4 x 15	251	Black*	Gray

\*Also available in Natural - Inquiries Welcome

01 SERIES



- Cable tie and clamp kit
- Wide variety of sizes and styles
- Excellent for the design phase of any project as well as convenient for use in or in the organization of any manufacturing, shop or office environment
- Kits can be customized to include product that meets your unique application requirements; inquiries welcome
- Products in kits are found throughout this catalog

ITEM NO.	Kit Dimensions	Piece Count	Color (Product)	Color (Kit)
15-01-100	6 3/4 x 11	180	Natural & Black	Opaque
15-01-200	9 5/8 x 13 1/2	206	Assortment*	White

\*Natural only available (where applicable); Black only available (where applicable); inquiries welcome



**02 SERIES**

- Engineering design kit
- Assortment of AEH products including PCB hardware, wire management, clips, spacers, rivets, cable clamps, cable ties, card guides, etc., for designing, prototyping, and testing parts in applications

ITEM NO.	Kit Dimensions	Kit Color
15-02-021	11 3/4 x 15	Grey



17-WSP-1020

**Wire Stripper With Lock - Professional**

For Positive Stripping Of Wire 10-20 AWG. Machined Stripping Stations For Professional Contractor and Workbench Use. Has Lock For Protection and Workpouch Use.

Master Pack Qty: 10 Selling Unit: Each/Bag W/Header Card

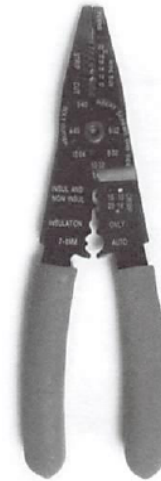


17-WSC-1020

**Economical Electrical Multi-Tool**

All Purpose Economical MultiTool Includes Wire Stripper / Crimper / Bolt Cutter / Wire Looper / For 10-22 AWG Applications.

Master Pack Qty: 10 Selling Unit: Each/Bag W/Header Card



17-WWTHP107

**WireWorker™ Professional Multi-Function Electrical Panel Tool**

Strips 8-18 AWG Solid and Stranded, Made of Tempered Steel, Strips NM 10 and 12 Gauge Cable, Cuts Copper Wires To 6 AWG, Loops Solid Wire Ends For Screw Lug Connections, Pliers Nose For Working In Tight Locations With Padded Insulated Oversize Grips.

Master Pack Qty: 10 Selling Unit: Each/Card

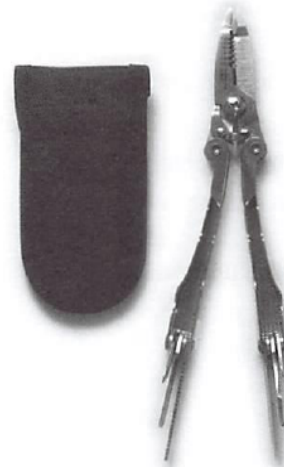


17-MULTI-SS

**Deluxe 9 IN 1 MultiTool**

Unique Fold-UP Design Stainless Steel Multi-Tool With Belt Mount Storage Pouch. Includes Wire Stripper For 10-18 AWG, Flat Blade Screwdriver, Jackknife Blade, Phillips Screwdriver, Pliers, Flat Tip Reamer Blade, Saw, Shaper Blade and Side Cutter.

Master Pack Qty: 5 Selling Unit: Each/Bag W/Header Card



Get quote »

**17-BTE-100**

**17-BT5-13**

**Battery Tester - Economical Home and Workbench**

Tests 9Volt, D, C, A, AA, AAA, and N Cell Household General Use Batteries. Compact Housing Design.

Master Pack Qty: 10 Selling Unit: Each/Card



**Battery Tester - Professional**

Analog Full Function Battery Tester For Shop & Household. Tests Batteries Of All Types Including 9 Volt, A, AA, AAA, C, D, and N Cell, Photo, Button and Lithium.

Master Pack Qty: 5 Selling Unit: Each/Card



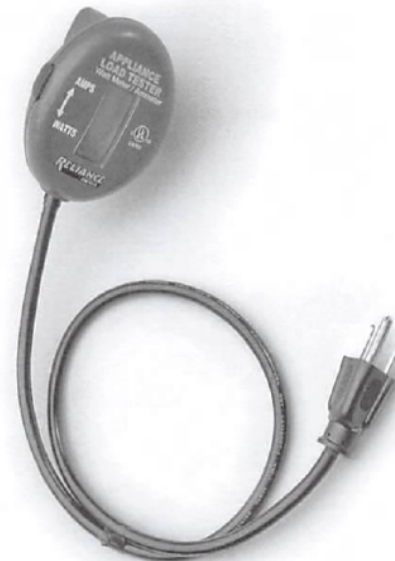
**17-AWTHP103**

**AmWatt™ - Appliance Load Tester**

Innovative One Of- A- Kind Meter Tests for Amps or Watts Used By Common Household and/or Office Appliances and Lights. Accurate Digital Readout From 0-15.0 Amps and 0-1875 Watts. Slide Switch Easily Goes Back and Forth Between Amps and Watts Readout. Generous 26" Cord. UL Listed.

- 1) Plug Appliance or Light Into AmWatt.
- 2) Plug AmWatt Into Any 15 Amp Electrical Outlet
- 3) Turn ON The Appliance or Light.
- 4) Accurate Reading Of Amps or Watts Used Is Provided.

Master Pack Qty: 5 Selling Unit: Each/Card

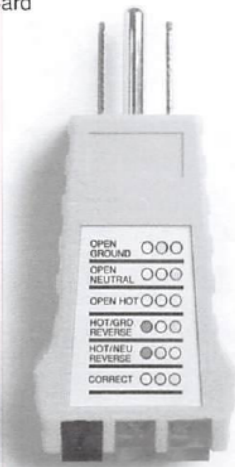


17-RT-CA

**Receptacle Tester - 3 Wire**

Receptacle Tester 3 Wire Circuit Analyzer 110-125 Volts AC Tests For Proper Receptacle Wiring (Including Polarity).

Master Pack Qty: 10  
Selling Unit: Each/Card

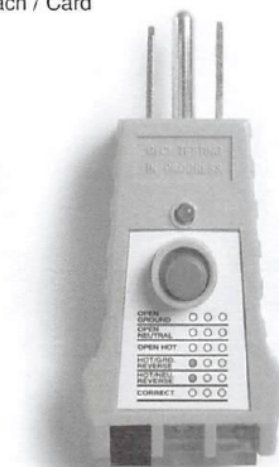


17-GFI-CA

**Receptacle/GFCI Tester - 3 Wire**

Receptacle/GFCI Tester 3 Wire Circuit Analyzer 110-125 Volts AC Tests For Proper Receptacle Wiring (Including Polarity) and Ground Fault In One Compact Unit.

Master Pack Qty: 10  
Selling Unit: Each / Card



17-VT-SDT

**Circuit Tester / Screwdriver**

Tests 80-250 Volts AC/DC - Light Duty Screwdriver Is Handy For Wall Plate Screws, Wiring Device Screws and Wiring Device Release Tabs.

Master Pack Qty: 10 Selling Unit: Each/Bag W/Header Card



17-CT-VI

**Continuity Tester - Economical Home and Workbench**

Reliable Continuity Tester Tests Cords - Fuses - Light Bulbs - Ground Continuity. Power Must Be Turned OFF During Use!

Master Pack Qty: 10  
Selling Unit: Each/Card



**17-VTE-100**

**Circuit Tester- Economy**

Basic Economy Circuit Tester 90 To 500 Volts AC/DC With Insulated Finger Probes For Safety.

Master Pack Qty: 10  
Selling Unit: Each/Card



**17-VT-4WY**

**Circuit Tester - 4 Way**

Convenient 4 Level Circuit Tester Reads 110, 220, 277, and 460 Volts AC. With Insulated Finger Probes For Safety.

Master Pack Qty: 10  
Selling Unit: Each/Card



**17-VSTHP101**

**Volt Snooper™ High Performance Non-Contact Voltage Detector**

Tests 50 - 1000 Volts AC. 50-60 Hz Visual and Audible Voltage Detection. Uses Common AAA Batteries (Included). Convenient Side Clip ON/OFF Switch. On/Off Light Also Serves As Low Battery Indicator. UL Listed.

Master Pack Qty: 10  
Selling Unit: Each/Card



**17-VT-SOL**

**Voltage / Continuity Tester - Solenoid Design**

Professional Solenoid Voltage / Continuity Tester Tests 120-600 Volts AC/DC - Continuity. Has Vibration / LED / Buzz Alerts.

Master Pack Qty: 5 Selling Unit: Each/Card



## 17-DT830

### 7 Function Digital Multimeter

Feature Packed Digital Multimeter Has The Following Features: AC Voltage To 600 Volts. Resistance To 2000 Ohms. Diode Function. Audible Continuity Test. 3 1/2 Digit LCD Display. Accuracy to +- 1%. Fused Overload Protection. Low Battery Indicator. 36" Insulated Test Leads. 9 Volt Battery Included. DC Voltage To 600V. Amperage To 10A. UL Listed

Master Pack Qty: 10 Selling Unit: Each / Card

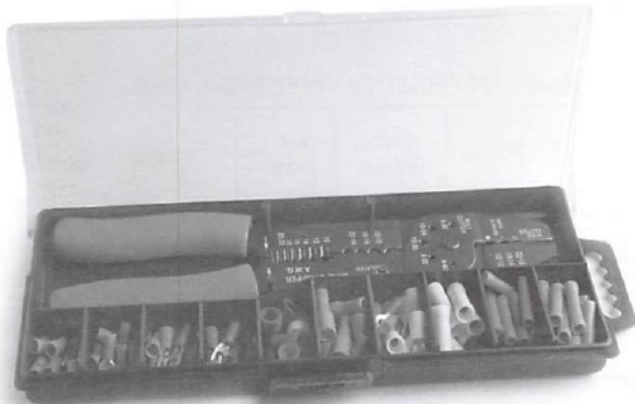


## 17-CTK-100

### Tool & Terminal Kit

With Stripper/ Crimper Tool & 99 Popular Terminals and Connectors. Kit Contents: 1 Multi-Tool With Stripper For 10-22 AWG, 5 Station Bolt Cutter, 6 Station Crimper and Wire Cutter Plus 24 Assorted Ring Terminals, 20 Assorted Spade Terminals, 26 Assorted Butt Connectors, 5 Male and 5 Female Bullet Terminals, 5 Male and 5 Female Disconnect Terminals and 9 Assorted Nylon Pigtail Connectors.

Master Pack Qty: 5 Selling Unit: Each / Kit Tray



**VINYL SERIES**

**RING TERMINALS-VINYL INSULATED**

ITEM NO.	Color	Wire Range	Stud Size
18-RR-06-C	Red	22-18 AWG	4-6
18-RR-08-C	Red	22-18 AWG	6-8
18-RR-10-C	Red	22-18 AWG	8-10
18-RR-14-C	Red	22-18 AWG	10-1/4
18-RR-56-C	Red	22-18 AWG	1/4-5/16
18-RR-38-C	Red	22-18 AWG	5/16-3/8
18-RB-06-C	Blue	16-14 AWG	4-6
18-RB-08-C	Blue	16-14 AWG	6-8
18-RB-10-C	Blue	16-14 AWG	8-10
18-RB-14-C	Blue	16-14 AWG	10-1/4
18-RB-56-C	Blue	16-14 AWG	1/4-5/16
18-RB-38-C	Blue	16-14 AWG	5/16-3/8
18-RY-06-C	Yellow	12-10 AWG	4-6
18-RY-08-C	Yellow	12-10 AWG	6-8
18-RY-10-C	Yellow	12-10 AWG	8-10
18-RY-14-C	Yellow	12-10 AWG	10-1/4
18-RY-56-C	Yellow	12-10 AWG	1/4-5/16
18-RY-38-C	Yellow	12-10 AWG	5/16-3/8
<b>UL/CSA 100 Pieces per bag</b>			



**SPADE TERMINALS-VINYL INSULATED**

ITEM NO.	Color	Wire Range	Stud Size
18-SR-06-C	Red	22-18 AWG	4-6
18-SR-10-C	Red	22-18 AWG	8-10
18-SB-06-C	Blue	16-14 AWG	4-6
18-SB-10-C	Blue	16-14 AWG	8-10
18-SY-06-C	Yellow	12-10 AWG	4-6
18-SY-10-C	Yellow	12-10 AWG	8-10
<b>UL/CSA 100 Pieces per bag</b>			



**BUTT CONNECTORS-VINYL INSULATED**

ITEM NO.	Color	Wire Range	Barrel Length
18-BR-2218-C	Red	22-18 AWG	.175"
18-BB-1614-C	Blue	16-14 AWG	.175"
18-BY-1210-C	Yellow	12-10 AWG	.250"
<b>UL/CSA 100 Pieces per bag</b>			



**PIGGYBACK DISCONNECTS VINYL INSULATED**

ITEM NO.	Color	Wire Range	Tab Size
18-PDR-2218-C	Red	22-18 AWG	.250 x .032
18-PDB-1614-C	Blue	16-14 AWG	.250 x .032
<b>100 Pieces per bag</b>			



**DISCONNECTS MALE-VINYL BARREL INSULATED**

ITEM NO.	Color	Wire Range	Tab Size
18-MDR-2218-C	Red	22-18 AWG	.250 x .032
18-MDB-1614-C	Blue	16-14 AWG	.250 x .032
18-MDY-1210-C	Yellow	12-10 AWG	.250 x .032
<b>UL/CSA 100 Pieces per bag</b>			



**DISCONNECTS FEMALE-VINYL BARREL INSULATED**

ITEM NO.	Color	Wire Range	Tab Size
18-FDR-2218-C	Red	22-18 AWG	.250 x .032
18-FDB-1614-C	Blue	16-14 AWG	.250 x .032
18-FDY-1210-C	Yellow	12-10 AWG	.250 x .032
<b>UL/CSA 100 Pieces per bag</b>			



**SNAP PLUGS MALE-VINYL INSULATED BUTTED SEAM**

ITEM NO.	Color	Wire Range	Stud Size
18-MSPR-156-C	Red	22-18 AWG	.156
18-MSPB-156-C	Blue	16-14 AWG	.156
18-MSPB-180-C	Blue	16-14 AWG	.180
<b>UR 100 Pieces per bag</b>			



**SNAP PLUGS FEMALE-VINYL INSULATED BUTTED SEAM**

ITEM NO.	Color	Wire Range	Plug Diameter
18-FSPR-156-C	Red	22-18 AWG	.156
18-FSPB-156-C	Blue	16-14 AWG	.156
18-FSPB-180-C	Blue	16-14 AWG	.180
<b>UR 100 Pieces per bag</b>			



## NYLON SERIES

### RING TERMINALS-NYLON INSULATED

ITEM NO.	Color	Wire Range	Stud Size
18-NR-06-C	Red	22-18 AWG	4-6
18-NR-08-C	Red	22-18 AWG	6-8
18-NR-10-C	Red	22-18 AWG	8-10
18-NR-14-C	Red	22-18 AWG	10-1/4
18-NR-56-C	Red	22-18 AWG	1/4-5/16
18-NR-38-C	Red	22-18 AWG	5/16-3/8
18-NB-06-C	Blue	16-14 AWG	4-6
18-NB-08-C	Blue	16-14 AWG	6-8
18-NB-10-C	Blue	16-14 AWG	8-10
18-NB-14-C	Blue	16-14 AWG	10-1/4
18-NB-56-C	Blue	16-14 AWG	1/4-5/16
18-NB-38-C	Blue	16-14 AWG	5/16-3/8
18-NY-06-C	Yellow	12-10 AWG	4-6
18-NY-08-C	Yellow	12-10 AWG	6-8
18-NY-10-C	Yellow	12-10 AWG	8-10
18-NY-14-C	Yellow	12-10 AWG	10-1/4
18-NY-56-C	Yellow	12-10 AWG	1/4-5/16
18-NY-38-C	Yellow	12-10 AWG	5/16-3/8
<b>UL/CSA 100 Pieces per bag</b>			



### SPADE TERMINALS-NYLON INSULATED

ITEM NO.	Color	Wire Range	Stud Size
18-NSR-06-C	Red	22-18 AWG	4-6
18-NSR-10-C	Red	22-18 AWG	8-10
18-NSB-06-C	Blue	16-14 AWG	4-6
18-NSB-10-C	Blue	16-14 AWG	8-10
18-NSY-06-C	Yellow	12-10 AWG	4-6
18-NSY-10-C	Yellow	12-10 AWG	8-10
<b>UL/CSA 100 Pieces per bag</b>			



### BUTT CONNECTORS-NYLON INSULATED

ITEM NO.	Color	Wire Range	Barrel Length
18-NBR-2218-C	Red	22-18 AWG	.175"
18-NBB-1614-C	Blue	16-14 AWG	.175"
18-NBY-1210-C	Yellow	12-10 AWG	.250"
<b>UL/CSA 100 Pieces per bag</b>			




### DISCONNECTS MALE-NYLON BARREL INSULATED

ITEM NO.	Color	Wire Range	Tab Size
18-MDNR-2218-C	Red	22-18 AWG	.250 x .032
18-MDNB-1614-C	Blue	16-14 AWG	.250 x .032
18-MDNY-1210-C	Yellow	12-10 AWG	.250 x .032
<b>UL/CSA 100 Pieces per bag</b>			



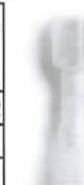
### DISCONNECTS FEMALE-NYLON BARREL INSULATED

ITEM NO.	Color	Wire Range	Tab Size
18-FDNR-2218-C	Red	22-18 AWG	.250 x .032
18-FDNB-1614-C	Blue	16-14 AWG	.250 x .032
18-FDNY-1210-C	Yellow	12-10 AWG	.250 x .032
<b>UL/CSA 100 Pieces per bag</b>			




### DISCONNECTS MALE-NYLON FULLY INSULATED

ITEM NO.	Color / Material	Wire Range	Tab Size
18-MDNFI-2218-C	Red	22-18 AWG	.250 x .032
18-MDNFI-1614-C	Blue	16-14 AWG	.250 x .032
<b>UL/CSA 100 Pieces per bag</b>			



### DISCONNECTS FEMALE-NYLON FULLY INSULATED

ITEM NO.	Color / Material	Wire Range	Tab Size
18-FDNFI-2218-C	Red	22-18 AWG	.250 x .032
18-FDNFI-1614-C	Blue	16-14 AWG	.250 x .032
<b>UL/CSA 100 Pieces per bag</b>			




### SNAP PLUGS MALE-NYLON INSULATED BUTTED SEAM

ITEM NO.	Color	Wire Range	Stud Size
18-NMSPR-156-C	Red	22-18 AWG	.156
18-NMSPB-156-C	Blue	16-14 AWG	.156
18-NMSPB-180-C	Blue	16-14 AWG	.180
<b>UR 100 Pieces per bag</b>			



### SNAP PLUGS FEMALE-NYLON INSULATED BUTTED SEAM

ITEM NO.	Color	Wire Range	Plug Diameter
18-NFSPR-156-C	Red	22-18 AWG	.156
18-NFSPB-156-C	Blue	16-14 AWG	.156
18-NFSPB-180-C	Blue	16-14 AWG	.180
<b>UR 100 Pieces per bag</b>			



**HEAT SHRINK SERIES**

**RING TERMINALS-HEAT SHRINK INSULATED**

ITEM NO.	Color	Wire Range	Stud Size
18-HSR-10-Q	Red	22-18 AWG	10
18-HSB-10-Q	Blue	16-14 AWG	10
18-HSB-14-Q	Blue	16-14 AWG	1/4
18-HSB-56-Q	Blue	16-14 AWG	5/16
18-HSB-38-Q	Blue	16-14 AWG	3/8
18-HSY-10-Q	Yellow	12-10 AWG	10
18-HSY-14-Q	Yellow	12-10 AWG	1/4
18-HSY-38-Q	Yellow	12-10 AWG	3/8
<b>25 Pieces per bag</b>			



**SPADE TERMINALS-HEAT SHRINK INSULATED**

ITEM NO.	Color	Wire Range	Stud Size
18-HSSR-06-Q	Red	22-18 AWG	6
18-HSSR-08-Q	Red	22-18 AWG	8
18-HSSR-10-Q	Red	22-18 AWG	10
18-HSSB-06-Q	Blue	16-14 AWG	6
18-HSSB-08-Q	Blue	16-14 AWG	8
18-HSSB-10-Q	Blue	16-14 AWG	10
18-HSSY-08-Q	Yellow	12-18 AWG	8
18-HSSY-10-Q	Yellow	12-18 AWG	10
<b>25 Pieces per bag</b>			



**BUTT SPLICE CONNECTORS-HEAT SHRINK**

ITEM NO.	Color	Wire Range	Part Length
18-HSBR-2218-Q	Red	22-18 AWG	1.5"
18-HSBB-1614-Q	Blue	16-14 AWG	1.5"
18-HSBY-1210-Q	Yellow	2-10 AWG	1.75"
<b>25 Pieces per bag</b>			



**DISCONNECTS MALE-FULLY INSULATED HEAT SHRINK**

ITEM NO.	Color	Wire Range	Tab Size
18-MDHS-2218-Q	Red	22-18 AWG	.250 x .032
18-MDHS-1614-Q	Blue	16-14 AWG	.250 x .032
18-MDHS-1210-Q	Yellow	12-10 AWG	.250 x .032
<b>25 Pieces per bag</b>			



**DISCONNECTS FEMALE-FULLY INSULATED HEAT SHRINK**

ITEM NO.	Color	Wire Range	Tab Size
18-FDHS-2218-Q	Red	22-18 AWG	.250 x .032
18-FDHS-1614-Q	Blue	16-14 AWG	.250 x .032
18-FDHS-1210-Q	Yellow	12-10 AWG	.250 x .032
<b>25 Pieces per bag</b>			



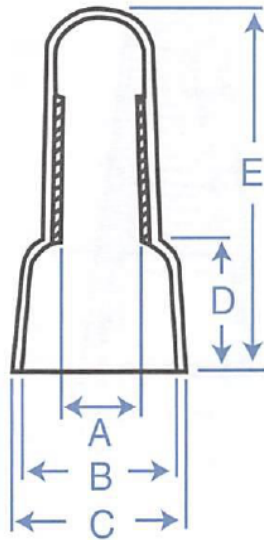
**MISCELLANEOUS**

**TAP SPLICES / QUICK SPLICERS**

ITEM NO.	Color / Material	Wire Range	UL / CSA	PCS per bag
18-QSR-2218-Q	Red / Vinyl	22-18 AWG	UL	25
18-QSR-2218-C	Red / Vinyl	22-18 AWG	UL	100
18-QSB-1614-Q	Blue / Vinyl	22-18 AWG	UL	25
18-QSB-1614-C	Blue / Vinyl	22-18 AWG	UL	100
18-QSY-1210-X	Yellow / Vinyl	22-18 AWG	UL	10
18-QSY-1210-C	Yellow / Vinyl	22-18 AWG	UL	100



## NP SERIES



- Nylon pigtail closed end connectors (NP Series)
- Temperature rating: 105°C
- Color: Natural
- Voltage rating: 300V maximum
- UL94V-2 self-extinguishing material



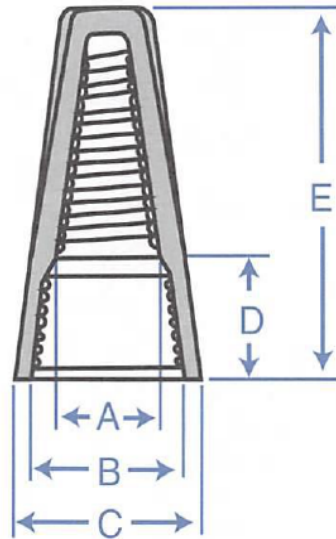
ITEM NO.	Wire Range		Pieces Per Bag	Pieces Per Carton (Bags per Master Carton)
	Min	Max		
19-NP-CE-1-M	No. 22 thru No. 18 AWG		1000	30,000 (30 plastic bags, 1000 ea.)
	2 #22	2 #20 w/ 1 #18		
19-NP-CE-2-M	No. 22 thru No. 14 AWG		1000	20,000 (20 plastic bags, 1000 ea.)
	2#22	1 #18 w/ 1 #14		
19-NP-CE-5-M	No. 22 thru No. 10 AWG		1000	10,000 (10 plastic bags, 1000 ea.)
	2 #22 w/ 2 #18	3 #18 w/ 1 #12		
19-NP-CE-8-D	No. 16 thru No. 10 AWG		500	6,000 (12 plastic bags, 500 ea.)
	2 #16 w/ 1 #10	2 #16 w/ 1 #12		

• UL Listed & CSA Approved

ITEM NO.	A		B		C		D		E	
	inches	(mm)	inches	(mm)	inches	(mm)	inches	(mm)	inches	(mm)
19-NP-CE-1-M	.102	(2.6)	.244	(6.2)	.307	(7.8)	.244	(6.2)	.709	(18.0)
19-NP-CE-2-M	.118	(3.0)	.311	(7.9)	.374	(9.5)	.283	(7.2)	.776	(19.7)
19-NP-CE-5-M	.157	(4.0)	.413	(10.5)	.492	(12.5)	.378	(9.6)	1.004	(25.5)
19-NP-CE-8-D	.209	(5.3)	.488	(12.4)	.575	(14.6)	.472	(12.0)	1.091	(27.7)

**SC SERIES  
HTC SERIES**

- Screw-on wire connectors
- Standard (SC series) temperature rating: 105° C
- High Temperature (HTC series) temperature rating: 150° C
- UL94V-2 flame retardant material



ITEM NO.	Color	Volts	Temp.	Wire Range		Pieces Per Bag	Pieces Per Carton (Bags per Master Carton)
				Min	Max		
19-SC-GY-M	Gray	300	105° C	No. 22 thru No. 14 AWG		1000	20,000 (20 plastic bags, 1000 ea.)
				2 #22	1 #14 w/ 1 #20		
19-SC-BL-M	Blue	300	105° C	No. 22 thru No. 14 AWG		1000	10,000 (10 plastic bags, 1000 ea.)
				2 #22	3 #16		
19-SC-OR-D	Orange	600*	105° C	No. 22 thru No. 14 AWG		500	5,000 (10 plastic bags, 500 ea.)
				1 #18w/ 1 #20	4 #16 w/ 1 #20		
19-SC-YW-D	Yellow	600*	105° C	No. 22 thru No. 10 AWG		500	5,000 (10 plastic bags, 500 ea.)
				3 #20	1 #10 w/ 2 #14 w/ 1 #16		
19-SC-RD-D	Red	600*	105° C	No. 18 thru No. 10 AWG		500	5,000 (10 plastic bags, 500 ea.)
				3 #18	3 #10		
19-HTC-BK-M	Black	300	150° C	No. 22 thru No. 14 AWG		1000	20,000 (20 plastic bags, 1000 ea.)
				3 #22	2 #16		
19-HTC-BK-D	Black	300	150° C	No. 22 thru No. 14 AWG		500	5,000 (10 plastic bags, 500 ea.)
				3 #20	2 #14 w/ 1 #16		

- UL Listed & CSA Approved
- \* 1,000V maximum in fixtures and signs

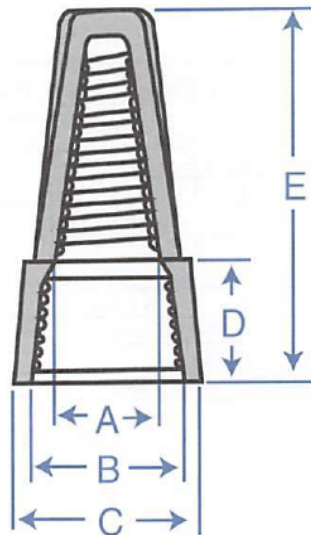
ITEM NO.	A		B		C		D		E	
	inches	(mm)	inches	(mm)	inches	(mm)	inches	(mm)	inches	(mm)
19-SC-GY-M	.150	(3.8)	.264	(6.7)	.339	(8.6)	.228	(6.2)	.598	(15.2)
19-SC-BL-M	.161	(4.1)	.276	(7.0)	.386	(9.8)	.232	(7.2)	.693	(17.6)
19-SC-OR-D	.197	(5.0)	.390	(9.9)	.480	(12.2)	.307	(9.6)	.866	(22.0)
19-SC-YW-D	.236	(6.0)	.441	(11.2)	.551	(14.0)	.311	(12.0)	.945	(24.0)
19-SC-RD-D	.295	(7.5)	.511	(13.0)	.645	(16.4)	.360	(9.1)	1.042	(26.5)
19-HTC-BK-M	.150	(3.8)	.264	(6.7)	.339	(8.6)	.228	(5.8)	.598	(15.2)
19-HTC-BK-D	.197	(5.0)	.390	(9.9)	.480	(12.2)	.307	(7.8)	.866	(22.0)



## ET SERIES

- Electrical Tape

ITEM NO.	Color	Roll Size	UL/CSA	Rolls Per Pkg.	Selling Unit
19-ET-7560	Black	3/4" W x 60" L	UL	10 Rolls/Pkg.	Each



## EC SERIES

- Economy narrow profile screw-on wire connector (EC Series)
- Temperature rating: 105° C
- UL94V-2 flame retardant material



ITEM NO.	Color	Volts	Wire Range		Pieces Per Bag	Pieces Per Carton (Bags per Master Carton)
			Min	Max		
19-EC-OR-D	Orange	600*	No. 22 thru No. 14 AWG		500	10,000 (20 plastic bags, 500 ea.)
			1 #18 w/ 1 #20	4 #16 w/ 1 #20		
19-EC-YW-D	Yellow	600*	No. 22 thru No 14 AWG		500	5,000 (10 plastic bags, 500 ea.)
			3 #20	1 #10 w/ 2 #14 w/ 1 #16		
19-EC-RD-D	Red	600*	No. 18 thru No. 10 AWG		500	5,000 (10 plastic bags 500 ea.)
			3 #18	3 #10		

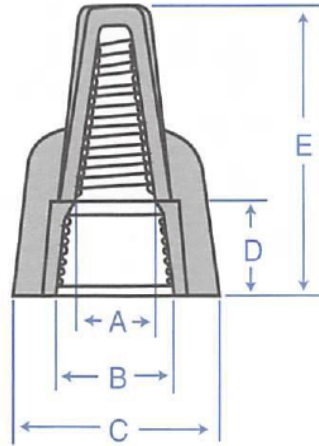
- UL Listed & CSA Approved
- \* 1,000V maximum in fixtures and signs

ITEM NO.	A		B		C		D		E	
	inches	(mm)	inches	(mm)	inches	(mm)	inches	(mm)	inches	(mm)
19-EC-OR-D	.197	(5.0)	.390	(9.9)	.480	(12.2)	.307	(7.8)	.862	(21.9)
19-EC-YW-D	.236	(6.0)	.441	(11.2)	.551	(14.0)	.311	(7.9)	.937	(23.8)
19-EC-RD-D	.276	(7.0)	.504	(12.8)	.630	(16.0)	.350	(8.9)	1.047	(26.6)



WC SERIES

- Wing-type screw-on wire connectors (WC Series)
- Temperature rating: 105° C
- UL94V-2 flame retardant material



ITEM NO.	Color	Volts	Wire Range		Pieces Per Bag	Pieces Per Carton (Bags per Master Carton)
			Min	Max		
19-WC-YW-D	Yellow	600*/300	No. 18 thru No. 10 AWG		500	5,000 (10 plastic bags, 500 ea.)
			2 #18	3 #12		
19-WC-TN-D	Tan	600*/300	No. 22 thru No. 8 AWG		500	5,000 (10 plastic bags, 500 ea.)
			3 #22	3 #10		
19-WC-RD-D	Red	600*/300	No. 18 thru No. 8 AWG		500	5,000 (10 plastic bags, 500 ea.)
			3 #16	5 #12		
19-WC-GY-CCL	Grey	600*	No. 18 thru No. 8 AWG		250	2,500 (10 plastic bags, 250 ea.)
			3 #14 w/ 1 #18	3 #10 or 4 #12		
19-WC-BL-C	Blue	600*	No. 14 thru No. 6 AWG		100	1,500 (15 plastic bags, 100 ea.)
			2 #10 w/ 1 #12	1 #8 w/3 #10		

- UL Listed & CSA Approved
- \* 1,000V maximum in fixtures and signs

GROUNDING CONNECTOR

ITEM NO.	Color	Grounding Connector Only	Wire Range		Pieces Per Bag	Pieces Per Carton (Bags per Master Carton)
			Min	Max		
19-WC-GR-D	Green		No. 14 thru No. 10 AWG		500	5,000 (10 plastic bags, 500 ea.)
			2 #14	3 #12 w/ 1 #14		

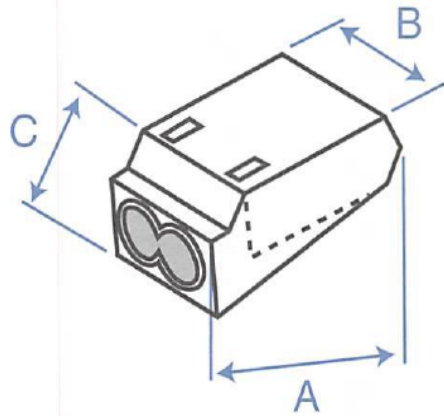
- UL Listed & CSA Approved

ITEM NO.	A		B		C		D		E	
	inches	(mm)	inches	(mm)	inches	(mm)	inches	(mm)	inches	(mm)
19-WC-YW-D	.252	(6.4)	.386	(9.8)	.717	(18.2)	.354	(9.0)	1.016	(25.8)
19-WC-TN-D	.283	(7.2)	.457	(11.6)	.720	(18.3)	.362	(9.2)	1.142	(29.0)
19-WC-RD-D	.354	(9.0)	.531	(13.5)	.906	(23.0)	.378	(9.6)	1.252	(31.8)
19-WC-GY-CCL	.394	(10.0)	.587	(14.9)	1.00	(25.5)	.394	(10.0)	1.311	(33.3)
19-WC-BL-C	.472	(12.0)	.740	(18.8)	1.260	(32.0)	.516	(13.1)	1.575	(40.0)
19-WC-GR-D	.327	(8.3)	.476	(12.1)	.795	(20.2)	.370	(9.4)	1.134	(28.8)



## PIC SERIES

- Push-in connectors (PIC series)
- Solid wires only
- UL94V-2 flame retardant material
- Voltage rating: 600V maximum



ITEM NO.	Color	Wire Range	Poles (Ports)	Pieces Per Bag	Pieces Per Carton (Bags per Master Carton)
19-PICR-2-D	Red	12-22 AWG Solid	2	500	5,000 (10 plastic bags, 500 ea.)
19-PICO-3-D	Orange	12-22 AWG Solid	3	500	5,000 (10 plastic bags, 500 ea.)
19-PICY-4-D	Yellow	12-22 AWG Solid	4	500	5,000 (10 plastic bags, 500 ea.)
19-PICG-5-D	Gray	12-22 AWG Solid	5	500	5,000 (10 plastic bags, 500 ea.)
19-PICB-8-CCL	Black	12-22 AWG Solid	8	250	2,500 (10 plastic bags, 250 ea.)

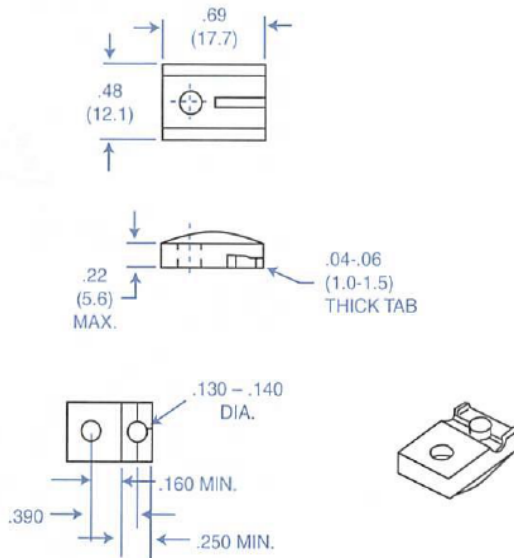
• UL Listed

ITEM NO.	A		B		C	
	inches	(mm)	inches	(mm)	inches	(mm)
19-PICR-2-D	.768	(19.5)	.413	(10.5)	.374	(9.5)
19-PICO-3-D	.776	(19.7)	.531	(13.5)	.374	(9.5)
19-PICY-4-D	.776	(19.7)	.677	(17.2)	.374	(9.5)
19-PICG-5-D	.776	(19.7)	.831	(21.1)	.374	(9.5)
19-PICB-8-CCL	.748	(19.0)	.689	(17.5)	.661	(16.8)

**02 SERIES**

- Transistor insulators
- Seperate mounting screw from transistor  
(for #6 screw)

FIGURE 1

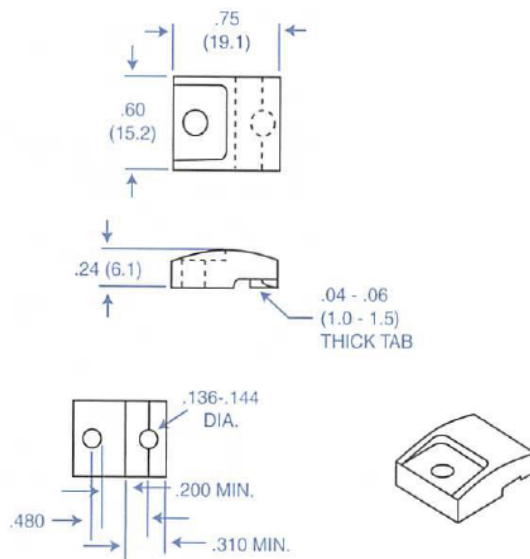


MATERIAL	NYLON 66, GLASS FILLED
UL RATING	94V-0
UL FILE NO.	E41938
COLOR	BLACK
RoHS COMPLIANCE	YES
TEMPERATURE RANGE (REF.)	-40 to 239 F (-40 to 115 C)
MR NUMBER	28

ITEM NO.	Dimensions	Figure No.
20-02-10	See Above	1
20-02-20	See Above	2

PACKAGING: 1000/bag

FIGURE 2



Get quote

# MATERIAL REFERENCE (MR) SPECIFICATIONS LIST

AEH

MR No.	Material	UL Rating	UL Number	Color	ASTM No.	RoHS Compliance	Temperature Range Reference
01	Nylon 66	94V-2	R70062	Natural	D4066	Yes	-40 – 185°F (-40 – 85)°C
01A	Nylon 66	94V-2	R187318	Natural	D4066	Yes	-40 – 185°F (-40 – 85)°C
02	Nylon 66	94V-2	R70062	Natural	D4066	Yes	-40 – 185°F (-40 – 85)°C
03	Nylon 66	94V-0	E96725	Natural	D4066	Yes	-40 – 220°F (-40 – 105)°C
04	Nylon 66, 10%GF	94V-0	E157318	Black	PA6-6GF-10	Yes	-40 – 220°F (-40 – 105)°C
05	Nylon 66	94V-2	E53664	Natural	D4066	Yes	-40 – 185°F (-40 – 85)°C
06	Nylon 66 UVB	94V-2	E41938	Black		Yes	-40 – 185°F (-40 – 85)°C
07	Polyethylene	NA		Black		Yes	-75 – 190°F (-60 – 88)°C
08	Nylon 6	NA		Black		Yes	-20 – 185°F (-29 – 85)°C
09	PVC, Rigid	94V-0	E-41877	Gray		Yes	32 – 120°F (0 – 50)°C
10	Rubber based Adhesive Tape	NA	MH15436	White		Yes	0 – 150°F (-18 – 65)°C
11	Acrylic Based Adhesive Tape	NA	MH15436	White		Yes	-20 – 212°F (-29 – 100)°C
12	Nylon 66	94V-2	E41938	Natural	D4066	Yes	-40 – 185°F (-40 – 85)°C
13	Nylon 66	94V-2	R70062	Natural	D4066	Yes	-40 – 185°F (-40 – 85)°C
14	Nylon 66 UVB	94V-2	R70062	Natural	D4066	Yes	-40 – 185°F (-40 – 85)°C
15	Nylon 66 UVB	94V-2	R70062	Natural	D4066	Yes	-40 – 185°F (-40 – 85)°C
16	Polyethylene	94-HB	E116487	Natural or UVB		Yes	-76 – 190°F (-60 – 88)°C
17	Nylon 6	NA	NA	Natural or Black		Yes	-40 – 250°F (-40 – 121)°C
18	Polyurethane	94-hb	83785	Clear		Yes	-32 – 120°F (0 – 50)°C
19	Rubber based Adhesive for series 05-02 Pigmented Bumper Feet						-20 – 140°F (-29 – 60)°C
20	Acrylic based Adhesive for series 05-02 Clear Bumper Feet						-20 – 140°F (-29 – 60)°C
21	PVC, Soft	NA		Black		Yes	32 – 132°F (0 – 50)°C
22	Polyethylene	94-HB	E213327	Natural	D3350	Yes	-40 – 145°F (-40 – 65)°C
23	Nylon 66	94V-2	E48285	Natural	D4066	Yes	-40 – 185°F (-40 – 85)°C
24	Nylon 66	94V-0	R70062	Natural	D4066	Yes	-40 – 220°F (-40 – 105)°C
25	Nylon 66	94V-2	E157012	Natural	D4066	Yes	-40 – 170°F (-40 – 77)°C
25A	Nylon 66	94V-2	E103015	Natural	D4066	Yes	-40 – 170°F (-40 – 77)°C
26	PVC, Soft	94V-0	E58538	Transp., Blk., Blue		Yes	-40 – 122°F (0 – 50)°C
27	TPE	94V-0	E58608	Clr & Blk		Yes	-40 – 122°F (0 – 50)°C
28	Nylon 66, Glass Filled	94V-0	E41938	Black		Yes	-40 – 239°F (-40 – 115)°C
29	HIPS	94HB	E55470	White		Yes	-4 – 176°F (-20 – 80)°C

## MATERIAL OPERATING TEMPERATURES:

All material temperature ranges shown are based on data provided by our resin manufacturers. The ranges shown are to be used as a guide when making material selections. Always ask for samples to evaluate your selection in actual application.

## UL CERTIFICATION

All UL94 standard certifications are for the materials used to manufacture the product. Yellow card copies can be obtained on the UL web site or contact our office.



**01—CIRCUIT BOARD SUPPORTS**

01-00-Series.....	7
01-01-Series.....	7
01-02-Series.....	16
01-03-Series.....	16
01-04-Series.....	13
01-05-Series.....	7
01-06-Series.....	10
01-07-Series.....	10
01-08-Series.....	12
01-09-Series.....	12
01-10-Series.....	15
01-11-Series.....	6
01-12-Series.....	15
01-13-Series.....	5
01-14-Series.....	15
01-15-Series.....	6
01-17-Series.....	14
01-18-Series.....	14
01-19-Series.....	7
01-20-Series.....	14
01-21-Series.....	14
01-22-Series.....	14
01-23-Series.....	15
01-24-Series.....	15
01-25-Series.....	16
01-29-Series.....	13
01-30-Series.....	15
01-31-Series.....	11
01-32-Series.....	11
01-33-Series.....	11
01-34-Series.....	6
01-35-Series.....	8
01-36-Series.....	9
01-37-Series.....	18
01-38-Series.....	18
01-39-Series.....	9
01-40-Series.....	12
01-41-Series.....	9
01-42-Series.....	9
01-43-Series.....	12
01-45-Series.....	17
01-46-Series.....	11
01-47-Series.....	11
01-48-Series.....	11

**02—CABLE TIES & ACCESSORIES**

02-00-Series.....	19
02-01-Series.....	19
02-02-Series.....	19
02-03-Series.....	19
02-04-Series.....	19
02-05-Series.....	20
02-06-Series.....	21
02-07-Series.....	19
02-09-Series.....	21
02-10-Series.....	23
02-11-Series.....	22
02-12-Series.....	22
02-13-Series.....	20
02-14-Series.....	25
02-15-Series.....	24
02-16-Series.....	24
02-18-Series.....	25
02-20-Series.....	22
02-50-Series.....	22
02-51-Series.....	23
02-52-Series.....	23

**03—WIRE ROUTING DEVICES**

03-00-Series.....	26
03-01-Series.....	27
03-02-Series.....	28
03-03-Series.....	29

03-04-Series.....	31
03-05-Series.....	47
03-06-Series.....	47
03-07-Series.....	32
03-08-Series.....	29
03-09-Series.....	33
03-10-Series.....	35
03-11-Series.....	30
03-12-Series.....	46
03-13-Series.....	46
03-14-Series.....	50
03-15-Series.....	49
03-16-Series.....	50
03-18-Series.....	28
03-19-Series.....	33
03-22-Series.....	30
03-23-Series.....	48
03-24-Series.....	48
03-25-Series.....	34
03-26-Series.....	34
03-27-Series.....	32
03-28-Series.....	32
03-31-Series.....	32
03-32-Series.....	32
03-33-Series.....	42
03-34-Series.....	33
03-35-Series.....	36
03-36-Series.....	37
03-37-Series.....	43
03-38-Series.....	43
03-39-Series.....	38
03-40-Series.....	28
03-41-Series.....	42
03-43-Series.....	39
03-44-Series.....	40
03-45-Series.....	44
03-46-Series.....	44
03-47-Series.....	44
03-48-Series.....	44
03-49-Series.....	45
03-50-Series.....	45
03-51-Series.....	45
03-52-Series.....	45
03-53-Series.....	30
03-54-Series.....	41
03-55-Series.....	49
03-57-Series.....	32
03-58-Series.....	33

**04—CABLE CLAMPS & CLIPS**

04-03-Series.....	51
04-04-Series.....	52
04-05-Series.....	51
04-06-Series.....	57
04-07-Series.....	53
04-08-Series.....	57
04-09-Series.....	56
04-10-Series.....	53
04-12-Series.....	52
04-13-Series.....	54
04-14-Series.....	54
04-15-Series.....	55
04-16-Series.....	55
04-17-Series.....	58
04-18-Series.....	58
04-19-Series.....	58

**05—BUMPERS & FEET**

05-00-Series.....	59
05-01-Series.....	59
05-02-Series.....	60

**06—RIVETS**

06-00-Series.....	62
06-01-Series.....	61

06-02-Series.....	62
06-03-Series.....	65
06-04-Series.....	65
06-06-Series.....	63
06-07-Series.....	64
06-08-Series.....	64
06-09-Series.....	63

**07—SPACERS & STANDOFFS**

07-00-Series.....	68
07-03-Series.....	67
07-04-Series.....	67
07-05-Series.....	67
07-06-Series.....	67
07-07-Series.....	67
07-08-Series.....	67
07-09-Series.....	68
07-10-Series.....	68
07-11-Series.....	67
07-12-Series.....	66
07-13-Series.....	66
07-14-Series.....	66
07-15-Series.....	66
07-16-Series.....	66
07-17-Series.....	66
07-18-Series.....	69
07-23-Series.....	72
07-24-Series.....	72
07-51-Series.....	70
07-52-Series.....	70
07-53-Series.....	70
07-54-Series.....	70
07-56-Series.....	69
07-89-Series.....	71

**08—CORD & EDGE PROTECTORS**

08-01-Series.....	73
08-02-Series.....	73
08-03-Series.....	73
08-04-Series.....	75
08-06-Series.....	74
08-20-Series.....	74

**09—LED SPACERS**

09-00-Series.....	76
09-01-Series.....	76
09-02-Series.....	77
09-03-Series.....	77
09-04-Series.....	79
09-05-Series.....	78
09-06-Series.....	78
09-07-Series.....	80

**10—COMPONENT INSULATORS & END CAPS**

10-00-Series.....	81
10-01-Series.....	81
10-02-Series.....	82
10-03-Series.....	83
10-10-Series.....	83
10-11-Series.....	83
10-14-Series.....	84
10-18-Series.....	85
10-19-Series.....	85
10-21-Series.....	85
10-22-Series.....	85
10-24-Series.....	85
10-42-Series.....	86
10-44-Series.....	86
10-46-Series.....	87
10-48-Series.....	87
10-50-Series.....	88
10-52-Series.....	88
10-54-Series.....	89



**10—COMPONENT INSULATORS & END CAPS (CONT.)**

10-56-Series..... 89  
 10-58-Series..... 89  
 10-60-Series..... 89  
 10-69-Series..... 90  
 10-73-Series..... 91  
 10-74-Series..... 91  
 10-75-Series..... 91  
 10-85-Series..... 94  
 10-86-Series..... 94  
 10-88-Series..... 94  
 10-90-Series..... 92  
 10-91-Series..... 92  
 10-92-Series..... 93  
 10-93-Series..... 93

**11—TUBING**

11-01-Series..... 95

**12—PLASTIC SCREWS & NUTS**

12-00-Series..... 96  
 12-01-Series..... 96  
 12-02-Series..... 97  
 12-03-Series..... 97  
 12-04-Series..... 97  
 12-05-Series..... 98  
 12-06-Series..... 98  
 12-07-Series..... 98  
 12-08-Series..... 96

**14—CARD GUIDES**

14-02-Series..... 99  
 14-03-Series..... 99  
 14-04-Series..... 100  
 14-06-Series..... 100  
 14-07-Series..... 100

**15—KITS**

15-00-Series..... 101  
 15-01-Series..... 101  
 15-02-Series..... 102

**17—TOOLS & TESTERS**

17-WSP-1020..... 103  
 17-WSC-1020..... 103  
 17-WWTHP107..... 103  
 17-MULTI-SS..... 103  
 17-BTE-100..... 104  
 17-BT5-13..... 104  
 17-AWTHP103..... 104  
 17-RT-CA..... 105  
 17-GFI-CA..... 105  
 17-VT-SDT..... 105  
 17-CT-VI..... 105  
 17-VTE-100..... 106  
 17-VT-4WY..... 106  
 17-BSTHP101..... 106  
 17-VT-SOL..... 106  
 17-DT830..... 107  
 17-CTK-100..... 107

**18—TERMINALS**

18-Vinyl-Series..... 108  
 18-Nylon-Series..... 109  
 18-Heat Shrink-Series..... 110  
 Miscellaneous-Series..... 110

**19—WIRE CONNECTORS**

19-NP-Series..... 111  
 19-SC-Series..... 112  
 19-HTC-Series..... 112  
 19-EC-Series..... 113  
 19-ET-Series..... 113  
 19-WC-Series..... 114  
 19-PIC-Series..... 115

**20—MISCELLANEOUS COMPONENTS**

20-02-Series..... 116



Fifth Edition




# All Electronics Hardware



[www.aehonline.com](http://www.aehonline.com) Phone: 1 800 778 7234 Fax: 1 800 832 9234

## All Electronics Hardware, Inc.

2642 Corporate Pkwy.  
Algonquin IL, 60102



Get quote 

Angic Global Solutions 1-888-872-0690  
<https://www.AngicGlobal.com> [Sales@AngicGlobal.com](mailto:Sales@AngicGlobal.com)